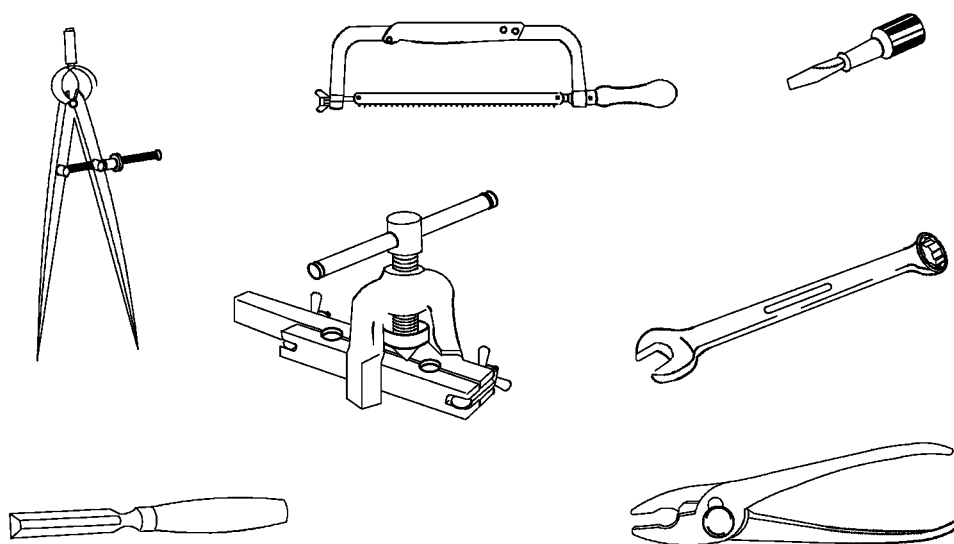


**AIR FORCE AIR FORCE TO 32-1-101
ARMY ARMY TM 9-243
NAVY (NAVAIR) NAVY M6290-AJ-MAN-1010
MARINE CORPS MARINE CORP TM
10209-10/1**

TECHNICAL MANUAL

**USE AND CARE OF HAND TOOLS AND MEASURING
TOOLS**



BASIC AND ALL UPDATES HAVE BEEN MERGED TO MAKE THIS A COMPLETE PUBLICATION.

DISTRIBUTION STATEMENT A - Approved for public release; distribution is unlimited. PA Case Number 05-07153. Other requests for this document shall be referred to 406 SCMS/GUEE, Robins AFB, GA 31098. Questions concerning technical content shall be referred to AFLCMC/EZPT.

INSERT LATEST CHANGED PAGES. DESTROY SUPERSEDED PAGES.

LIST OF EFFECTIVE PAGES

NOTE The portion of the text affected by the changes is indicated by a vertical line in the outer margins of the page. Changes to illustrations are indicated by shaded or screened areas, or by miniature pointing hands.

Dates of issue for original and changed pages are:

Original019 August 2020 Change15 October 2020

TOTAL NUMBER OF PAGES IN THIS PUBLICATION IS 518, CONSISTING OF THE FOLLOWING:

Page No.	*Change No.	Page No.	*Change No.	Page No.	*Change No.
Title	1	24-1 - 24-3	0	53-1 - 53-6	0
A	1	24-4	1	54-1 - 54-2	0
i - xvii	0	24-5 Added	1	55-1 - 55-21	0
xviii Blank	0	24-6 Blank	1	55-22 Blank	0
xix - xxiii	0	25-1 - 25-12	0	56-1 - 56-2	0
xxiv Blank	0	25-13	1	Index 1 - Index 14	0
1-1	0	25-14 - 25-27	0		
1-2 Blank	0	25-28 Blank	0		
2-1	0	26-1 - 26-9	0		
2-2	1	26-10 Blank	0		
2-3 - 2-6	0	27-1 - 27-11	0		
3-1 - 3-3	0	27-12 Blank	0		
3-4 Blank	0	28-1 - 28-9	0		
4-1 - 4-2	0	28-10 Blank	0		
5-1 - 5-3	0	29-1 - 29-11	0		
5-4 Blank	0	29-12 Blank	0		
6-1 - 6-8	0	30-1 - 30-4	0		
7-1 - 7-7	0	31-1 - 31-3	0		
7-8 Blank	0	31-4 Blank	0		
8-1 - 8-5	0	32-1 - 32-6	0		
8-6 Blank	0	33-1 - 33-6	0		
9-1 - 9-4	0	34-1 - 34-6	0		
10-1 - 10-4	0	35-1 - 35-13	0		
11-1 - 11-9	0	35-14 Blank	0		
11-10 Blank	0	36-1 - 36-6	0		
12-1 - 12-4	0	37-1 - 37-6	0		
13-1 - 13-13	0	38-1 - 38-12	0		
13-14 Blank	0	39-1 - 39-6	0		
14-1 - 14-5	0	40-1 - 40-6	0		
14-6 Blank	0	41-1 - 41-8	0		
15-1 - 15-15	0	42-1 - 42-4	0		
15-16 Blank	0	43-1 - 43-3	0		
16-1 - 16-13	0	43-4 Blank	0		
16-14 Blank	0	44-1 - 44-4	0		
17-1 - 17-3	0	45-1 - 45-10	0		
17-4 - 17-5	1	46-1 - 46-11	0		
17-6 - 17-10	0	46-12 Blank	0		
18-1 - 18-8	0	47-1 - 47-4	0		
19-1 - 19-5	0	48-1 - 48-3	0		
19-6 Blank	0	48-4 Blank	0		
20-1 - 20-9	0	49-1 - 49-8	0		
20-10 Blank	0	50-1 - 50-5	0		
21-1 - 21-26	0	50-6 Blank	0		
22-1 - 22-12	0	51-1 - 51-7	0		
23-1 - 23-7	0	51-8 Blank	0		
23-8 Blank	0	52-1 - 52-28	0		

* Zero in this column indicates an original page.

TABLE OF CONTENTS

Chapter		Page
	LIST OF ILLUSTRATIONS	xvii
	LIST OF TABLES	xvii
	INTRODUCTION	xix
	SAFETY SUMMARY	xxiii
1	INTRODUCTION	1-1
1.1	HOW TO USE THIS MANUAL	1-1
2	SAFETY.	2-1
	SECTION I	2-1
2.1	GENERAL SAFETY RULES	2-1
2.2	TOOL HABITS	2-2
2.2.1	Keep Each Tool in its Proper Storage Place	2-2
2.2.2	Keep Your Tools in Good Condition	2-3
2.2.3	Keep Your Tool Set Complete	2-3
2.2.4	Use Each Tool Only on the Job for Which it was Designed	2-3
2.2.5	Keep Your Tools Within Easy Reach and Where They Cannot Fall on the Floor or on Machinery.	2-3
2.2.6	Never Use Damaged Tools	2-4
	SECTION II	2-4
2.3	POWER TOOL SAFETY	2-4
	SECTION III	2-5
2.4	PERSONAL PROTECTIVE EQUIPMENT (PPE).	2-5
2.4.1	SAFETY SHOES.	2-5
2.4.2	EYE PROTECTION.	2-5
2.4.3	HELMETS	2-6
2.4.4	GLOVES	2-6
2.4.5	SAFETY BELTS AND SAFETY STRAPS.	2-6
2.4.6	HEARING PROTECTION	2-6
3	READING MEASURING SCALES	3-1
3.1	READING MEASURING SCALES INTRODUCTION	3-1
3.2	READING THE SCALE OF A RULE OR TAPE	3-1
3.3	READING A METRIC RULE	3-3
4	TOOL BOXES.	4-1
4.1	HOW TO CHOOSE AND USE TOOL BOXES	4-1
4.2	TOOL BOXES TYPES AND USES	4-1

TABLE OF CONTENTS - CONTINUED

Chapter		Page
5	DIVIDERS	5-1
5.1	HOW TO CHOOSE AND USE DIVIDERS	5-1
5.2	DIVIDERS TYPES AND USES	5-1
5.2.1	Spring Divider	5-2
5.2.2	Wing Divider	5-2
5.3	USING A DIVIDER TO SCRIBE A CIRCLE	5-3
5.4	CARE OF DIVIDERS	5-3
6	CALIPERS	6-1
6.1	HOW TO CHOOSE AND USE CALIPERS	6-1
6.2	CALIPERS TYPES AND USES	6-1
6.2.1	Simple Calipers	6-2
6.2.2	Spring-Joint Calipers	6-2
6.2.3	Transfer Calipers	6-3
6.2.4	Hermaphrodite Calipers	6-3
6.2.5	Slide Calipers	6-4
6.2.6	Vernier Calipers	6-5
6.2.7	Trammels	6-6
6.3	READING A VERNIER CALIPER	6-6
6.4	READING A METRIC CALIPER	6-7
6.5	CARE OF CALIPERS	6-7
7	MICROMETERS	7-1
7.1	HOW TO CHOOSE AND USE MICROMETERS	7-1
7.2	MICROMETERS TYPES AND USES	7-1
7.2.1	Outside Micrometers	7-1
7.2.2	Inside Micrometers	7-2
7.2.3	Depth Micrometers	7-2
7.3	SELECTING THE PROPER MICROMETER	7-3
7.4	READING A STANDARD MICROMETER	7-5
7.4.1	To Read a Measurement as Shown in the Paragraph Above:	7-5
7.5	READING A VERNIER MICROMETER	7-6
7.5.1	To Read a Measurement as Shown Above:	7-6
7.6	READING A METRIC MICROMETER	7-7
7.6.1	To Read a Measurement as Shown Above	7-7
7.7	CARE OF MICROMETERS	7-7
8	RULES AND STEEL TAPES	8-1
8.1	HOW TO CHOOSE AND USE RULES AND STEEL TAPES	8-1
8.2	RULES AND STEEL TAPES TYPES AND USES	8-2
8.2.1	Rules	8-2
8.2.2	Folding Rules	8-3
8.2.3	Steel Tapes	8-3
8.3	USING RULERS AND TAPES EXAMPLES	8-4
8.4	CARE OF RULES AND TAPES	8-4
9	MISCELLANEOUS MEASURING TOOLS	9-1

TABLE OF CONTENTS - CONTINUED

Chapter		Page
9.1	HOW TO CHOOSE AND USE MISCELLANEOUS MEASURING TOOLS	9-1
9.2	MISCELLANEOUS MEASURING TOOLS TYPES AND USES	9-1
9.2.1	Adjustable Parallel	9-1
9.2.2	V-Block and Clamp	9-2
9.2.3	Angle Plates	9-2
9.2.4	Magnetic Base Indicator Holder	9-3
9.2.5	Registering Speed Indicators	9-3
9.3	USING MISCELLANEOUS MEASURING TOOLS	9-4
9.4	CARE OF MISCELLANEOUS MEASURING TOOLS	9-4
10	LEVELS	10-1
10.1	HOW TO CHOOSE AND USE LEVELS	10-1
10.2	LEVELS TYPES AND USES	10-1
10.2.1	Master Precision Level	10-1
10.2.2	Machinist's Level	10-2
10.2.3	Iron Bench Level	10-2
10.2.4	Striding Level	10-2
10.2.5	Carpenter's Level	10-2
10.2.6	Line Level	10-3
10.3	USING A LEVEL	10-3
10.3.1	Horizontal Surface	10-3
10.3.2	Angled Surface	10-4
10.3.3	Vertical Surface	10-4
11	PLUMB BOBS	11-1
11.1	HOW TO CHOOSE AND USE PLUMB BOBS	11-1
11.2	PLUMB BOBS TYPES AND USES	11-1
11.2.1	Plumb Bobs	11-1
11.2.2	Surveyor's Polished Brass	11-1
11.2.3	Solid Steel	11-2
11.3	USING A PLUMB BOB	11-3
11.4	CARE OF PLUMB BOBS	11-9
12	SCRIBERS	12-1
12.1	HOW TO CHOOSE AND USE SCRIBERS	12-1
12.2	SCRIBERS TYPES AND USES	12-1
12.2.1	Machinist's Scribers	12-1
12.3	USING A MACHINIST'S SCRIBER	12-2
12.4	CARE OF SCRIBERS	12-3
13	SQUARES	13-1
13.1	HOW TO CHOOSE AND USE SQUARES	13-1
13.2	SQUARES TYPES AND USES	13-2
13.2.1	Carpenter's Square	13-2
13.2.2	Try Square	13-4
13.2.3	Combination Square	13-4
13.2.4	Sliding T-Bevel	13-5
13.2.5	Bevel Protractor	13-5

TABLE OF CONTENTS - CONTINUED

Chapter		Page
13.3	USING A CARPENTER'S SQUARE TO MARK A SQUARE LINE	13-5
13.4	USING A CARPENTER'S SQUARE TO LAY OUT STEPS	13-6
13.5	USING A TRY SQUARE	13-6
13.6	USING A SLIDING T-BEVEL SQUARE	13-7
13.7	USING A COMBINATION SQUARE	13-8
13.7.1	Using as a Center Head to Find the Diameter of a Cylinder	13-8
13.7.2	Using as a Protractor Head to Determine an Angle	13-9
13.7.3	Using a Combination Square to Determine Depth	13-11
13.8	CARE OF SQUARES	13-13
14	SURFACE, DEPTH, AND HEIGHT GAGES	14-1
14.1	HOW TO CHOOSE AND USE SURFACE, DEPTH, AND HEIGHT GAGES	14-1
14.2	SURFACE, DEPTH, AND HEIGHT GAGES TYPES AND USES	14-1
14.2.1	Surface Gage	14-1
14.2.2	Rule Depth Gage	14-2
14.2.3	Micrometer Depth Gage	14-2
14.2.4	Vernier Depth Gage	14-3
14.2.5	Height Gage	14-3
14.2.6	Surface Plate	14-4
14.3	USING THE SURFACE, DEPTH, AND HEIGHT GAGES	14-4
14.3.1	Using a Surface Gage	14-4
14.3.2	Using a Rule Depth Gage	14-4
14.3.3	Using a Micrometer Depth Gage	14-5
14.3.4	Using a Vernier Depth Gage	14-5
14.3.5	Using a Height Gage	14-5
14.4	CARE OF SURFACE, HEIGHT, AND DEPTH GAGES	14-5
15	RING AND SNAP GAGES AND GAGE BLOCKS	15-1
15.1	HOW TO CHOOSE AND USE RING AND SNAP GAGES AND GAGE BLOCKS	15-1
15.2	RING AND SNAP GAGES AND GAGE BLOCKS TYPES AND USES	15-1
15.2.1	Ring Gages	15-3
15.2.2	Snap Gages	15-4
15.2.3	Gage Blocks	15-5
15.3	USING A RING GAGE	15-5
15.4	USING AN ADJUSTABLE SNAP GAGE	15-7
15.5	GAGING FLAT PARTS	15-9
15.6	GAGING CYLINDRICAL PARTS	15-10
15.7	HOW TO USE PRECISION GAGE BLOCKS	15-11
15.8	FACTORS TO CONSIDER WHEN USING GAGE BLOCKS	15-13
15.9	CARE OF RING AND SNAP GAGES	15-14
15.10	CARE OF GAGE BLOCKS	15-14
16	MISCELLANEOUS MEASURING GAGES	16-1
16.1	HOW TO CHOOSE AND USE MISCELLANEOUS MEASURING GAGES	16-1
16.2	MISCELLANEOUS MEASURING GAGES TYPES AND USES	16-2
16.2.1	Thickness (Feeler) Gages	16-2
16.2.2	Center Gage	16-3
16.2.3	Screw Pitch Gages	16-4
16.2.4	Small Hole Gage Set	16-4
16.2.5	Telescoping Gages	16-5

TABLE OF CONTENTS - CONTINUED

Chapter		Page
16.2.6	Threaded Cutting Tool Gages	16-5
16.2.7	Fillet and Radius Gages	16-6
16.2.8	Drill Point Gage.	16-6
16.2.9	Wire Gages	16-6
16.2.10	Drill Gages	16-7
16.2.11	Marking Gages	16-7
16.3	USING A THICKNESS GAGE	16-8
16.4	USING A CENTER GAGE	16-8
16.5	USING A SCREW PITCH GAGE	16-8
16.6	USING A SMALL HOLE GAGE	16-9
16.7	USING A TELESCOPING GAGE	16-9
16.8	USING A THREAD CUTTING TOOL GAGE	16-10
16.9	USING A FILLET AND RADIUS GAGE	16-11
16.10	USING A DRILL POINT GAGE	16-11
16.11	USING A WIRE GAGE	16-12
16.12	USING A DRILL GAGE.	16-12
16.13	USING MARKING GAGES	16-13
16.14	CARE OF GAGES.	16-13
17	PLIERS AND TONGS	17-1
17.1	HOW TO CHOOSE AND USE PLIERS AND TONGS	17-1
17.2	PLIERS AND TONGS TYPES AND USES	17-2
17.2.1	Slip-joint Pliers	17-2
17.2.2	Diagonal Cutting Pliers	17-2
17.2.3	Lineman's Side Cutting Pliers	17-2
17.2.4	Parallel Jaw Pliers	17-3
17.2.5	Flat-nose Pliers	17-3
17.2.6	Round-nose Pliers	17-3
17.2.7	Straight-lip Flat-jaw Tong.	17-3
17.2.8	End Cutting Pliers	17-4
17.2.9	Wire Strippers (Multipurpose)	17-4
17.2.10	Crimping Tools	17-4
17.2.11	Wire Twister	17-5
17.3	USING SLIP-JOINT PLIERS	17-5
17.4	USING DIAGONAL CUTTING PLIERS	17-7
17.5	USING LINEMAN'S SIDE CUTTING PLIERS	17-8
17.6	CARE OF PLIERS AND TONGS	17-10
18	VICES	18-1
18.1	HOW TO CHOOSE AND USE VISES	18-1
18.2	VICES TYPES AND USES	18-1
18.2.1	Machinist's Bench Vise.	18-1
18.2.2	Bench and Pipe Vise.	18-2
18.2.3	Clamp Base Bench Vise	18-2
18.2.4	Pipe Vise	18-3
18.2.5	Machine Table Vise	18-3
18.2.6	Pin Vise	18-3
18.2.7	Piston Holding Vise	18-4
18.2.8	Handsaw Filing Vise.	18-4
18.3	USING A MACHINIST'S BENCH VISE	18-5
18.4	USING A PIPE VISE	18-7

TABLE OF CONTENTS - CONTINUED

Chapter		Page
18.5	CARE OF VISES.	18-8
19	CLAMPS	19-1
19.1	HOW TO CHOOSE AND USE CLAMPS	19-1
19.2	CLAMPS TYPES AND USES	19-1
19.2.1	C-Clamps	19-1
19.2.2	Hand Screw Clamps	19-2
19.3	USING A C-CLAMP	19-2
19.4	USING A HAND SCREW CLAMP	19-4
19.5	CARE OF C-CLAMPS	19-5
19.6	CARE OF HAND SCREW CLAMPS	19-5
20	JACKS	20-1
20.1	HOW TO CHOOSE AND USE JACKS.	20-1
20.2	JACK TYPES AND USES	20-1
20.2.1	Screw Jacks.	20-1
20.2.2	Ratchet Lever Jacks	20-2
20.2.3	Hydraulic Jacks	20-3
20.3	SAFETY.	20-4
20.4	USING A BELL BASE SCREW JACK.	20-5
20.5	USING A RATCHET LEVER JACK	20-7
20.6	CARE OF JACKS	20-9
21	HAMMERS, MALLETS AND MAULS	21-1
21.1	HOW TO CHOOSE AND USE HAMMERS, MALLETS AND MAULS	21-1
21.2	HAMMERS, MALLETS AND MAULS TYPES AND USES	21-2
21.2.1	Carpenter's Hammer	21-2
21.2.2	Machinist's Peen Hammer	21-3
21.2.3	Bumping Body Hammer	21-3
21.2.4	Blacksmith's or Sledge Hammers	21-4
21.2.5	Jeweler's Hammer	21-5
21.2.6	Mason's Hammer	21-5
21.2.7	Napping Hammer.	21-5
21.2.8	Riveting Hammer.	21-5
21.2.9	Sawmaker's Hammer	21-6
21.2.10	Setting Hammer.	21-6
21.2.11	Soft-Faced Hammer	21-6
21.2.12	Lead or Copper Hammer.	21-7
21.2.13	Inserted Soft-Faced Hammer	21-7
21.2.14	Trimmer's Hammer	21-8
21.2.15	Welder's Hammer.	21-8
21.2.16	Dead Blow Hammers	21-9
21.2.17	Mallets	21-9
21.2.18	Mauls.	21-10
21.3	HAMMERS, MALLETS AND MAULS SAFETY	21-11
21.3.1	Specific Steps to Take.	21-12
21.4	USING HAMMERS.	21-13
21.4.1	Using a Carpenter's Hammer	21-14
21.4.2	Using a Mechanist's Ball Peen Hammer.	21-18
21.5	CARE OF HAMMERS.	21-19

TABLE OF CONTENTS - CONTINUED

Chapter		Page
21.5.1	Care of Inserted Face Hammers	21-20
21.6	REPLACING THE HANDLE	21-21
21.6.1	Removing Old Hammer Handle	21-21
21.6.2	Installation of New Handle	21-23
22	SCREWDRIVERS	22-1
22.1	HOW TO CHOOSE AND USE SCREWDRIVERS	22-1
22.2	SCREWDRIVERS TYPES AND USES	22-1
22.2.1	Common Screwdrivers	22-1
22.2.2	Cross-Tip Screwdrivers	22-3
22.2.3	Cross-Point Screwdrivers	22-3
22.2.4	Clutch Head Screwdrivers	22-4
22.2.5	Offset Screwdrivers	22-4
22.2.6	Ratchet Screwdrivers	22-5
22.2.7	Screwdriver Bits	22-5
22.2.8	Jeweler's Screwdriver	22-6
22.2.9	Flexible Screwdrivers	22-6
22.2.10	Radio and Pocket Screwdrivers	22-6
22.2.11	Screw Starter or Gimlet	22-7
22.3	SCREWDRIVERS SAFETY	22-7
22.4	USING SCREWDRIVERS	22-7
22.4.1	Preparing the Work Surface	22-8
22.4.2	Using a Screwdriver	22-8
22.4.3	Using an Offset Screwdriver	22-9
22.4.4	Using an Offset Ratchet Screwdriver	22-9
22.4.5	Using a Spiral Ratchet Screwdriver	22-10
22.4.6	Using a Jeweler's Screwdriver	22-11
22.5	CARE OF SCREWDRIVERS	22-11
23	MANUAL DRILLS	23-1
23.1	HOW TO CHOOSE AND USE MANUAL DRILLS	23-1
23.2	MANUAL DRILLS TYPE AND USES	23-2
23.2.1	Brace Drill	23-2
23.2.2	Breast Drill	23-2
23.2.3	Hand Drill	23-3
23.3	USING A BRACE DRILL	23-3
23.4	USING AN EXPANSIVE BIT	23-5
23.5	CARE OF MANUAL DRILLS	23-7
24	SCREW AND TAP EXTRACTORS	24-1
24.1	HOW TO CHOOSE AND USE CREW AND TAP EXTRACTORS	24-1
24.2	SCREW AND TAP EXTRACTORS TYPES AND USES	24-2
24.2.1	Screw Extractors	24-2
24.2.2	Tap Extractor	24-2
24.3	USING A SPIRAL TAPERED SCREW EXTRACTOR	24-3
24.4	CARE OF EXTRACTORS	24-4
25	WRENCHES	25-1

TABLE OF CONTENTS - CONTINUED

Chapter		Page
25.1	HOW TO CHOOSE AND USE WRENCHES	25-1
25.2	WRENCHES TYPES AND USES	25-1
25.2.1	Open-End Wrenches	25-1
25.2.2	Box Wrenches	25-3
25.2.3	Combination Wrenches	25-5
25.2.4	Socket Wrenches	25-6
25.2.5	Socket Wrench Handles, Extensions and Adapters	25-7
25.2.6	Special Purpose Socket Wrenches	25-9
25.2.7	Crowfoot Wrench	25-11
25.2.8	Hexagon Key Wrench (Shorter Section).	25-11
25.2.9	Plug Wrenches.	25-11
25.2.10	Adjustable Open-End Wrench	25-12
25.2.11	Clamp Pliers	25-13
25.2.12	Monkey and Auto Wrenches	25-14
25.2.13	Pipe Wrenches	25-14
25.2.14	Torque Wrenches	25-15
25.2.15	Power Torque Wrench.	25-16
25.2.16	Spanner Wrenches	25-17
25.3	WRENCH SAFETY	25-18
25.4	HOW TO USE A BOX WRENCH	25-18
25.5	USING A SOCKET WRENCH	25-19
25.6	USING AN ADJUSTABLE OPEN-END WRENCH	25-20
25.7	USING AN ADJUSTABLE STRAP PIPE WRENCH.	25-21
25.8	USING THE TORQUE WRENCH	25-22
25.9	USING THE POWER TORQUE WRENCH.	25-23
25.10	USING A SPANNER WRENCH	25-27
25.11	CARE	25-27
26	CHISELS	26-1
26.1	HOW TO CHOOSE AND USE CHISELS	26-1
26.2	CHISELS TYPES AND USES	26-1
26.2.1	Woodworker's Chisels.	26-1
26.2.2	Machinist's Chisels.	26-2
26.2.3	Track Chisel	26-2
26.2.4	Rivet Buster Chisel.	26-2
26.3	USING A WOODWORKER'S CHISEL	26-3
26.4	USING A MACHINIST'S COLD CHISEL	26-5
26.5	USING A RIVET BUSTER CHISEL	26-8
26.6	CARE OF CHISELS	26-9
27	PUNCHES	27-1
27.1	HOW TO CHOOSE AND USE PUNCHES	27-1
27.2	PUNCHES TYPES AND USES	27-1
27.2.1	Center Punches	27-1
27.2.2	Drift Punch	27-2
27.2.3	Alignment Punch	27-2
27.2.4	Drive Pin Punch.	27-2
27.2.5	Prick Punch.	27-2
27.2.6	Starting Punch	27-3
27.2.7	Grommet-Inserting Punch	27-3
27.2.8	Catapunch.	27-3

TABLE OF CONTENTS - CONTINUED

Chapter		Page
27.2.9	Metal Cutting Punch	27-3
27.2.10	Tinmen's Hollow Punch	27-4
27.2.11	Sheet Metal Punch	27-4
27.2.12	Lever Punch	27-4
27.2.13	Screw Punch	27-4
27.3	USING A CENTER PUNCH	27-5
27.4	USING A DRIFT PUNCH	27-7
27.5	USING AN ALIGNMENT PUNCH	27-9
27.6	CARE OF PUNCHES	27-11
27.7	SCREW PUNCH USAGE	27-11
28	FILES	28-1
28.1	HOW TO CHOOSE AND USE FILES	28-1
28.2	FILES TYPES AND USES	28-1
28.2.1	American Pattern File	28-2
28.2.2	Mill File	28-2
28.2.3	Pillar File	28-2
28.2.4	Round File	28-2
28.2.5	Square File	28-2
28.2.6	Taper File	28-3
28.2.7	Three-Square File	28-3
28.2.8	Warding File	28-3
28.2.9	Curved-Tooth File	28-3
28.2.10	Swiss Pattern File	28-4
28.3	FILE SAFETY	28-4
28.4	USING A FILE	28-4
28.4.1	Selecting Proper File	28-4
28.4.2	Method of Filing	28-5
28.4.3	Draw Filing	28-5
28.5	CARE OF FILES	28-6
28.6	REPLACING THE HANDLE	28-8
29	GRINDERS AND SHARPENING STONES	29-1
29.1	HOW TO CHOOSE AND USE GRINDERS AND SHARPENING STONES	29-1
29.2	GRINDERS AND SHARPENING STONES TYPES AND USES	29-1
29.2.1	Bench Grinder	29-2
29.2.2	Valve Grinder	29-3
29.2.3	Sharpening Stones	29-4
29.3	USING A BENCH GRINDER	29-4
29.4	USING A SHARPENING STONE	29-8
29.5	CARE OF BENCH GRINDERS	29-10
29.6	CARE OF SHARPENING STONES	29-11
30	SCRAPERS	30-1
30.1	HOW TO CHOOSE AND USE SCRAPERS	30-1
30.2	SCRAPERS TYPES AND USES	30-1
30.2.1	Carbon Scraper	30-1
30.2.2	Bearing Scraper	30-2
30.2.3	Box Scraper	30-2
30.2.4	Flat Blade Scraper	30-2

TABLE OF CONTENTS - CONTINUED

Chapter		Page
30.2.5	Triangular Blade Scraper	30-2
30.3	SCRAPER SAFETY	30-2
30.4	USING A BEARING SCRAPER	30-3
30.5	CARE OF SCRAPERS	30-4
31	AWLS	31-1
31.1	HOW TO CHOOSE AND USE AWLS	31-1
31.2	AWLS TYPES AND USES	31-1
31.2.1	Saddler's Awl	31-1
31.2.2	Scratch Awl	31-1
31.3	USING A SCRATCH AWL	31-2
31.4	CARE OF AWLS	31-3
32	BOLT AND CABLE CUTTERS	32-1
32.1	HOW TO CHOOSE AND USE BOLT AND CABLE CUTTERS	32-1
32.2	BOLT AND CABLE CUTTERS TYPE AND USES	32-1
32.2.1	Center Cut Cutter	32-2
32.2.2	Clipper Cut Cutter	32-2
32.2.3	Shear Cut, Flat Bar, and Strip Cutter	32-3
32.2.4	Side Nut Splitter Cutter	32-3
32.2.5	Angular Cut Cutter	32-4
32.2.6	Shear Cut Cable Cutter	32-4
32.3	CUTTER SAFETY	32-4
32.4	USING CENTER CUT CUTTERS	32-5
32.5	CARE OF BOLT AND CABLE CUTTERS	32-6
33	GLASS CUTTERS	33-1
33.1	HOW TO CHOOSE AND USE GLASS CUTTERS	33-1
33.2	GLASS CUTTERS TYPES AND USES	33-1
33.2.1	Wheel Type Glass Cutter	33-1
33.2.2	Circle Glass Cutter	33-1
33.3	USING A WHEEL-TYPE GLASS CUTTER	33-2
33.4	CARE OF CUTTERS	33-6
34	KNIVES	34-1
34.1	HOW TO CHOOSE AND USE KNIVES	34-1
34.2	KNIVES TYPES AND USES	34-1
34.2.1	Rubber Cutting Knives	34-2
34.2.2	Saddler's Knives	34-2
34.2.3	Shop Knife	34-3
34.2.4	Pocket Knife	34-3
34.2.5	Draw Knife	34-4
34.2.6	Putty Knife	34-4
34.3	KNIFE SAFETY	34-4
34.4	USING A PUTTY KNIFE	34-5
34.5	CARE OF KNIVES	34-6
35	PIPE CUTTING AND THREADING TOOLS	35-1

TABLE OF CONTENTS - CONTINUED

Chapter		Page
35.1	HOW TO CHOOSE AND USE PIPE CUTTING AND THREADING TOOLS	35-1
35.2	PIPE CUTTING AND THREADING TOOLS TYPES AND USES	35-1
35.2.1	Pipe Cutters.	35-1
35.2.2	Pipe Threading Set	35-2
35.3	USING A PIPE CUTTER	35-2
35.4	USING A PIPE THREADING SET	35-6
35.5	CARE OF PIPE CUTTERS AND THREADING SETS	35-13
35.5.1	Pipe Cutters.	35-13
35.5.2	Threading Sets.	35-13
36	TUBE CUTTING AND FLARING TOOLS	36-1
36.1	HOW TO CHOOSE AND USE TUBE CUTTING AND FLARING TOOLS.	36-1
36.2	TUBE CUTTING AND FLARING TOOLS TYPES AND USES.	36-1
36.2.1	Tube Cutters	36-1
36.2.2	Flaring Tool	36-2
36.3	USING A FLARING TOOL	36-2
36.4	CARE OF TUBE CUTTERS AND FLARING TOOLS	36-6
36.4.1	Tube Cutters	36-6
36.4.2	Flaring Tool	36-6
37	SHEARS AND NIPPERS	37-1
37.1	HOW TO CHOOSE AND USE SHEARS AND NIPPERS	37-1
37.2	SHEARS AND NIPPERS TYPES AND USES	37-1
37.2.1	Hand Shears	37-2
37.2.2	Tinner's Bench Shears	37-2
37.2.3	Metal Shearing Machine	37-2
37.2.4	Nippers.	37-3
37.2.5	Cutting Nippers	37-3
37.3	SHEARS AND NIPPERS SAFETY	37-3
37.4	USING CUTTING NIPPERS.	37-4
37.4.1	Wire Cutting	37-4
37.4.2	Flush Cutting.	37-5
37.5	CARE OF SHEARS AND NIPPERS	37-5
38	TAPS AND DIES.	38-1
38.1	HOW TO CHOOSE AND USE TAPS AND DIES	38-1
38.2	TAPS AND DIES TYPES AND USES	38-1
38.2.1	Taps.	38-2
38.2.2	Dies.	38-3
38.3	USING A HAND TAP	38-5
38.4	USING A DIE AND DIESTOCK	38-8
38.5	CARE OF TAPS	38-11
38.6	CARE OF DIES	38-12
39	REAMERS	39-1
39.1	HOW TO CHOOSE AND USE REAMERS.	39-1
39.2	REAMERS TYPES AND USES.	39-1
39.2.1	Solid Straight-Hole Reamer	39-2

TABLE OF CONTENTS - CONTINUED

Chapter		Page
39.2.2	Solid Taper-Pin Reamer	39-3
39.2.3	Expansion Reamer	39-3
39.2.4	Adjustable-Blade Reamer	39-3
39.3	USING A SOLID STRAIGHT-HOLE REAMER.	39-4
39.4	CARE OF REAMERS	39-5
40	BENDERS	40-1
40.1	HOW TO CHOOSE AND USE BENDERS	40-1
40.2	BENDERS TYPES AND USES	40-2
40.2.1	Spring Tube Benders	40-2
40.2.2	Electrical Conduit Hand Bender	40-2
40.3	USING A TUBING BENDER	40-3
40.4	USING AN ELECTRICAL CONDUIT HAND BENDER.	40-5
40.5	CARE OF BENDERS.	40-6
41	PULLERS	41-1
41.1	HOW TO CHOOSE AND USE PULLERS	41-1
41.2	PULLERS TYPES AND USES	41-2
41.2.1	Universal Gear Puller	41-2
41.2.2	Gear and Bearing Puller	41-2
41.2.3	Universal Bearing and Bushing Puller	41-2
41.2.4	Electrical Unit Bearing Puller.	41-3
41.2.5	Battery Terminal and Small Gear Puller.	41-3
41.2.6	Steering Gear Arm Puller	41-3
41.2.7	Push and Pull Puller Set	41-4
41.2.8	Steering Wheel Puller Set	41-4
41.2.9	Wheel Puller Set	41-5
41.2.10	Cylinder Sleeve Puller	41-5
41.2.11	Slide Hammer Puller	41-6
41.2.12	Cotter Pin Puller	41-6
41.3	USING A GEAR AND BEARING PULLER	41-6
41.4	USING A SLIDE HAMMER PULLER SET	41-7
41.5	CARE OF PULLERS	41-8
42	BARs	42-1
42.1	HOW TO CHOOSE AND USE BARS	42-1
42.2	BARS TYPES AND USES	42-1
42.2.1	Wrecking Bar	42-1
42.2.2	Crowbar	42-1
42.2.3	Pinch Bar	42-2
42.2.4	Combination Bar	42-2
42.3	BAR SAFETY.	42-2
42.4	USING THE COMBINATION BAR.	42-2
42.5	CARE OF BARS	42-4
43	MATTOCKS	43-1
43.1	HOW TO CHOOSE AND USE MATTOCKS.	43-1
43.2	MATTOCKS TYPES AND USES.	43-1

TABLE OF CONTENTS - CONTINUED

Chapter		Page
43.2.1	Single-Bevel and Double-Bevel	43-1
43.3	MATTOCKS SAFETY	43-2
43.4	USING THE MATTOCK	43-2
43.5	CARE OF MATTOCKS	43-3
44	GASKET CUTTERS	44-1
44.1	HOW TO CHOOSE AND USE GASKET CUTTERS	44-1
44.2	GASKET CUTTERS TYPES AND USES	44-1
44.2.1	Circle Gasket Cutter	44-1
44.2.2	Bit Brace Circle Gasket Cutter	44-2
44.2.3	Hollow Gasket Cutter	44-2
44.2.4	Heavy Duty Bench Mount Gasket Cutter	44-2
44.3	USING THE GASKET CUTTER	44-3
44.3.1	Using a Circle Gasket Cutter	44-3
44.3.2	Using a Bit Brace Circle Gasket Cutter	44-3
44.3.3	Using a Hollow Gasket Cutter	44-4
44.4	CARE OF GASKET CUTTERS.	44-4
45	CHOPPING TOOLS	45-1
45.1	HOW TO CHOOSE AND USE CHOPPING TOOLS	45-1
45.2	CHOPPING TOOLS TYPES AND USES	45-1
45.2.1	Axes	45-1
45.2.2	Hatchets	45-2
45.2.3	Adz	45-3
45.2.4	Timber Wedges	45-3
45.3	SAFETY.	45-3
45.4	USING THE SINGLE-BIT AX	45-4
45.5	USING THE ADZ	45-6
45.6	USING THE TIMBER WEDGE.	45-7
45.7	CARE OF CHOPPING TOOLS	45-10
46	SAWS.	46-1
46.1	HOW TO CHOOSE AND USE SAWS	46-1
46.2	SAWS TYPES AND USES	46-1
46.2.1	Handsaw.	46-1
46.2.2	One-Man Crosscut Saw.	46-2
46.2.3	Two-Man Crosscut Saw	46-2
46.2.4	Backsaw	46-3
46.2.5	Nested Saws	46-3
46.3	SAW SAFETY	46-5
46.4	USING THE CROSSCUT SAW.	46-6
46.5	USING THE KEYHOLE SAW	46-8
46.6	USING THE HACKSAW	46-10
46.7	CARE OF SAWS.	46-11
47	BRUSH-CUTTING TOOLS.	47-1
47.1	HOW TO CHOOSE AND USE BRUSH-CUTTING TOOLS	47-1
47.2	BRUSH-CUTTING TOOLS TYPES AND USES	47-1

TABLE OF CONTENTS - CONTINUED

Chapter		Page
47.2.1	Brush Hook	47-2
47.2.2	Machete	47-2
47.3	BRUSH-CUTTING TOOLS SAFETY	47-2
47.4	USING THE BRUSH HOOK	47-3
47.5	CARE OF BRUSH-CUTTING TOOLS	47-3
48	TIMBER HANDLING TOOLS	48-1
48.1	HOW TO CHOOSE AND USE TIMBER HANDLING TOOLS	48-1
48.2	TIMBER HANDLING TOOLS TYPES AND USES	48-1
48.2.1	Timber Carrier	48-1
48.2.2	Peavy	48-1
48.3	TOOL SAFETY	48-1
48.4	USING TIMBER HANDLING TOOLS	48-2
48.4.1	Using a Timber Carrier	48-2
48.4.2	Using A Peavy	48-2
48.5	CARE OF TIMBER HANDLING TOOLS	48-2
49	CLIMBING TOOLS	49-1
49.1	HOW TO CHOOSE AND USE CLIMBING TOOLS	49-1
49.2	CLIMBING TOOLS TYPES AND USES	49-2
49.2.1	Safety Belt	49-2
49.2.2	Safety Strap	49-3
49.2.3	Leg Irons	49-3
49.3	CLIMBING TOOLS SAFETY	49-3
49.4	USING CLIMBING TOOLS	49-4
49.5	CARE OF CLIMBING TOOLS	49-8
50	PLANES	50-1
50.1	HOW TO CHOOSE AND USE PLANES	50-1
50.2	PLANES TYPES AND USES	50-1
50.2.1	Block Plane	50-1
50.2.2	Bench Plane	50-2
50.3	CUTTING TOOLS SAFETY	50-2
50.4	USING THE BLOCK PLANE	50-2
50.5	USING THE BENCH PLANE	50-4
50.6	CARE OF PLANES	50-5
51	DIGGING TOOLS	51-1
51.1	HOW TO CHOOSE AND USE DIGGING TOOLS	51-1
51.2	DIGGING TOOLS TYPES AND USES	51-1
51.2.1	Long-Handled Shovel	51-1
51.2.2	D-Handled Shovel	51-2
51.2.3	Spade	51-2
51.2.4	Posthole Auger	51-2
51.2.5	Posthole Digger	51-3
51.3	PROPER TOOL SAFETY	51-3
51.4	USING THE LONG-HANDLED SHOVEL	51-3
51.5	USING THE SPADE	51-5

TABLE OF CONTENTS - CONTINUED

Chapter		Page
51.6	USING THE POSTHOLE DIGGER	51-6
51.7	CARE AND CLEANING OF DIGGING TOOLS	51-7
52	ELECTRICAL POWER TOOLS.	52-1
52.1	HOW TO CHOOSE AND USE ELECTRICAL POWER TOOLS	52-1
52.2	ELECTRICAL POWER TOOLS TYPES AND USES	52-1
52.2.1	Portable Electric Drill	52-3
52.2.2	Portable Electric Hammer	52-4
52.2.3	Portable Electric Impact Wrench.	52-4
52.2.4	Portable Electric Circular Saw	52-5
52.2.5	Portable Electric Chain Saw.	52-5
52.2.6	Portable Electric Disk Sander.	52-6
52.2.7	Bench Grinders and Oilstones	52-6
52.3	ELECTRICAL POWER TOOL SAFETY.	52-8
52.4	USING THE PORTABLE ELECTRIC DRILL	52-9
52.5	DRILLS, REAMERS, TAPS, AND COUNTERSINKS.	52-11
52.5.1	Drills, Reamers, Taps, and Countersinks Introduction.	52-11
52.5.2	Twist Drills	52-11
52.5.3	Drill Terminology.	52-11
52.5.4	Drill Sizes.	52-11
52.5.5	Using the Drill.	52-12
52.5.6	Countersinks	52-13
52.6	USING THE PORTABLE ELECTRIC HAMMER	52-14
52.7	USING THE PORTABLE ELECTRIC IMPACT WRENCH	52-17
52.8	USING THE PORTABLE ELECTRIC CIRCULAR SAW	52-19
52.9	USING THE ELECTRIC CHAIN SAW.	52-23
52.10	CARE OF ELECTRIC POWER TOOLS	52-27
53	SOLDERING.	53-1
53.1	SOLDERING INTRODUCTION	53-1
53.2	SOLDERING TOOLS.	53-1
53.3	BASIC SOLDERING TECHNIQUES	53-1
53.3.1	Temperatures	53-1
53.3.2	Heating.	53-5
53.3.3	Cooling	53-5
53.3.4	Copper Bit Soldering Irons	53-5
53.3.5	Flux Residue Removal	53-6
53.4	SOLDERING SAFETY PRACTICES	53-6
54	PAINT APPLICATION	54-1
54.1	PAINT APPLICATION INTRODUCTION.	54-1
54.2	PRE-TREATMENT	54-1
54.3	BRUSH PAINTING	54-1
54.3.1	Care of Paintbrushes.	54-1
54.4	SPRAY PAINTING	54-1
54.4.1	Aerosol Can Operation	54-2
54.4.2	Using Aerosol Paint	54-2
55	MISCELLANEOUS TOOLS	55-1

TABLE OF CONTENTS - CONTINUED

Chapter		Page
55.1	HOW TO CHOOSE AND USE MISCELLANEOUS TOOLS	55-1
55.2	MISCELLANEOUS TOOLS TYPES AND USES	55-1
55.2.1	Cement Trowel	55-1
55.2.2	Brick Trowel	55-1
55.2.3	Miner's Spoon	55-2
55.2.4	Blocks	55-2
55.2.5	Trip Wire Grapnel	55-2
55.2.6	Chain Assembly	55-3
55.2.7	Cable Jaw Grip	55-3
55.2.8	Tension Puller	55-3
55.3	MISCELLANEOUS TOOL SAFETY	55-4
55.4	USING THE BRICK TROWEL	55-4
55.5	USING THE BLOCK	55-8
55.6	USING THE CABLE JAW GRIP AND TENSION PULLER	55-8
55.7	CARE OF MISCELLANEOUS TOOLS	55-9
56	PNEUMATIC RATCHETS	56-1
56.1	AIR RATCHETS MODEL NUMBERS FAR70C AND 72B	56-1
	INDEX	Index 1

LIST OF ILLUSTRATIONS

Number	Title	Page
52-1	Drill Terminology	52-11
52-2	Countersink Angles	52-13
52-3	Countersink Tool	52-14
53-1	Soldering Tools and Accessories	53-2
53-2	Using the Soldering Iron	53-6
54-1	Aerosol Spray Can	54-2
55-1	Open End Wrenches	55-14
56-1	Snap-On Air Ratchets	56-2

LIST OF TABLES

Number	Title	Page
55-1	Decimal Equivalent Chart	55-10
55-2	A.S.M.E. Standard Screws and American Wire Gauge	55-10
55-3	Numbered Twist Drills	55-11
55-4	Fractional Twist Drill Sizes	55-12
55-5	Tap, Tap Drill, and Clearance Drill Sizes	55-12
55-6	Screw Extractors	55-13
55-7	Taper Reamers	55-13
55-8	Extension Taper Reamers	55-13
55-9	Open End Wrenches F. E. Tool Kit	55-13
55-10	Adjustable and Ratchet Wrenches	55-14
55-11	Box Wrenches F. E. Tool Kit	55-14
55-12	Sockets	55-15
55-13	Socket Handles and Extensions F. E. Tool Kit	55-15
55-14	Hexagon and Fluted Wrenches	55-17
55-15	Chassis Punches	55-18
55-16	Lug and Crimping Tools	55-18

INTRODUCTION

1 PURPOSE.

This manual provides information on the functional use and care of selected hand and measuring tools. It explain the types and uses of a large number of tools, a practical application of a selected group of tools, safety requirements, general care, and limited reconditioning. The user must have, choose, and use the correct tools in order to accomplish the work quickly, accurately, and safely. Without the proper tools and knowledge of how to use them, the user wastes time, reduces efficiency, and may face injury.

2 SCOPE.

This manual consist of the following chapters:

Chapter 1	Introduction
Chapter 2	Safety
Chapter 3	Reading Measuring Scales
Chapter 4	Tool Boxes
Chapter 5	Dividers
Chapter 6	Calipers
Chapter 7	Micrometers
Chapter 8	Rules And Steel Tapes
Chapter 9	Miscellaneous Measuring Tools
Chapter 10	Levels
Chapter 11	Plumb Bobs
Chapter 12	Scribers
Chapter 13	Squares
Chapter 14	Surface, Depth, And Height Gages
Chapter 15	Ring And Snap Gages And Gage Blocks
Chapter 16	Miscellaneous Measuring Gages
Chapter 17	Pliers And Tongs
Chapter 18	Vises
Chapter 19	Clamps
Chapter 20	Jacks
Chapter 21	Hammers, Mallets And Mauls
Chapter 22	Screwdrivers
Chapter 23	Manual Drills
Chapter 24	Screw And Tap Extractors
Chapter 25	Wrenches
Chapter 26	Chisels
Chapter 27	Punches
Chapter 28	Files
Chapter 29	Grinders And Sharpening Stones
Chapter 30	Scrapers
Chapter 31	Awls
Chapter 32	Bolt And Cable Cutters
Chapter 33	Glass Cutters
Chapter 34	Knives
Chapter 35	Pipe Cutting And Threading Tools

AIR FORCE AIR FORCE TO 32-1-101
ARMY ARMY TM 9-243
MARINE CORPS MARINE CORP TM 10209-10/1
NAVY (NAVAIR) NAVY M6290-AJ-MAN-1010

Chapter 36	Tube Cutting And Flaring Tools
Chapter 37	Shears And Nippers
Chapter 38	Taps And Dies
Chapter 39	Reamers
Chapter 40	Benders
Chapter 41	Pullers
Chapter 42	Bars
Chapter 43	Mattocks
Chapter 44	Gasket Cutters
Chapter 45	Chopping Tools
Chapter 46	Saws
Chapter 47	Brush-Cutting Tools
Chapter 48	Timber Handling Tools
Chapter 49	Climbing Tools
Chapter 50	Planes
Chapter 51	Digging Tools
Chapter 52	Electrical Power Tools
Chapter 53	Soldering
Chapter 54	Paint Application
Chapter 55	Miscellaneous Tools
Chapter 56	Pneumatic Ratchets

3 ABBREVIATIONS.

All abbreviations used in this manual are shown in the list of abbreviations below. Standard abbreviations are in accordance with ASME Y14.38, Abbreviations and Acronyms for Use on Drawings and Related Documents.

°F	degrees Fahrenheit
AF	Air Force
AFTO	Air Force Technical Order
CD	Compact Disk
cm	centimeter
DLA	Defense Logistics Agency
DoD	Department of Defense
ERRC	Expendability, Recoverability, and Repairability Category
ESDS	Electrostatic Discharge Sensitive
ETIMS	Enhanced Technical Information Management System
HAZMAT	Hazardous Material
HCI	Hardness Critical Items
mm	millimeter
No.	Number
OSHA	Occupational Safety and Health Administration
PN	Part Number
PSI	Pound-force per Square Inch
TAMMS	The Army Maintenance Management System
TCTO	Time Compliance Technical Order
TO	Technical Order
TOMA	Technical Order Management Agency
VAC	Volts Alternating Current

4 RELATED PUBLICATIONS.

NOTE

When searching Technical Order (TO) numbers in the Enhanced Technical Information Management System (ETIMS) catalog, please use the wildcard (*) after typing in the TO number. Many TOs are not available in paper format, (i.e., digital (WA-1) or Compact Disk (CD-1)). This ensures TOs in all media formats will populate the search.

The following publications contain information in support of this technical manual.

List of Related Publications

Number	Title
ADP 1-02	Terms and Military Symbols
AR 25-30	Army Publishing Program
AR 385-10	The Army Safety Program
AR 385-40	Accident Reporting and Records
ASME Y14.38	Abbreviations and Acronyms for Use on Drawings and Related Documents
DA Form 2028	Recommended changes to Publications and Blank Forms
DODI 5330.03	Defense Logistics Agency (DLA) Document Services
FED 256	Effect of chronic hypovitaminosis A on water metabolism in the weanling rat
TC 9-515	Shop Mathematics
TC 9-524	Fundamentals of Machine Tools
TM 36-750	The Army Maintenance Management System (TAMMS)
TO 00-5-1	AF Technical Order System
TO 00-25-234	General Shop Practice Requirements for the Repair, Maintenance, and Test of Electrical Equipment
TO 32-1-2	Use of Hand Tools

5 RECORD OF APPLICABLE TIME COMPLIANCE TECHNICAL ORDERS (TCTOS).

List of Time Compliance Technical Orders

TCTO Number	TCTO Title	TCTO Date
----------------	---------------	--------------

None

6 **HCI** HARDNESS CRITICAL ITEMS (HCI).



The HCI symbol (**HCI**) establishes special requirements limiting changes and substitutions and that the specific parts listed must be used to ensure hardness is not degraded.


If included, items with nuclear survivability requirements are marked with the HCI symbol (**HCI**). All changes to, or proposed substitutions of, HCIs must be approved by the acquiring activity.

AIR FORCE AIR FORCE TO 32-1-101
ARMY ARMY TM 9-243
MARINE CORPS MARINE CORP TM 10209-10/1
NAVY (NAVAIR) NAVY M6290-AJ-MAN-1010

7  ELECTROSTATIC DISCHARGE SENSITIVE (ESDS) ITEMS.



All ESDS parts shall be handled in accordance with the ESDS device handling procedures in TO 00-25-234.

If included, items containing ESDS parts are marked with the ESDS symbol ().

8 IMPROVEMENT REPORTS.

Recommended changes to this manual shall be submitted in accordance with TO 00-5-1.

SAFETY SUMMARY

1 GENERAL SAFETY INSTRUCTIONS.

This manual describes physical and/or chemical processes which may cause injury or death to personnel, or damage to equipment, if not properly followed. This safety summary includes general safety precautions and instructions that must be understood and applied during operation and maintenance to ensure personnel safety and protection of equipment. Prior to performing any specific task, the WARNINGS, CAUTIONS, and NOTES included in that task shall be reviewed and understood.

2 WARNINGS, CAUTIONS, AND NOTES.

WARNINGS and CAUTIONS are used in this manual to highlight operating or maintenance procedures, practices, conditions, or statements which are considered essential to protection of personnel (WARNING) or equipment (CAUTION). WARNINGS and CAUTIONS immediately precede the step or procedure to which they apply. WARNINGS and CAUTIONS consist of four parts: heading (WARNING, CAUTION, or icon), a statement of the hazard, minimum precautions, and possible results if disregarded. NOTES are used in this manual to highlight operating or maintenance procedures, practices, conditions, or statements which are not essential to protection of personnel or equipment. NOTES may precede or follow the step or procedure, depending upon the information to be highlighted. The headings used and their definitions are as follows:

WARNING

Highlights an essential operating or maintenance procedure, practice, condition, statement, etc. Failure to comply could result in injury to, or death of, personnel or long term health hazards.

CAUTION

Highlights an essential operating or maintenance procedure, practice, condition, statement, etc. Failure to comply could result in damage to, or destruction of, equipment or loss of mission effectiveness.

NOTE

Highlights an essential operating or maintenance procedure, condition, or statement.

CHAPTER 1 INTRODUCTION

NOTE

Reconditioning of Expendability, Recoverability, and Repairability Category (ERRC) “XB3” type items. Reconditioning includes virtually any minor, common sense maintenance action and is discretionary. Common sense acts of reconditioning are normally within the capability of any level of maintenance and are not to be construed as a repair (AFI 23-101).

1.1 HOW TO USE THIS MANUAL.

When you need information about a specific tool or operation, simply refer to the alphabetical index at the end of the manual and turn to the pages that apply. The introduction to each tools chapter will furnish information on: How to choose and use the tools covered, the various types of tools available, and an example of their use. Instructions on the care of tools and safety precautions follow.

CHAPTER 2 SAFETY

SECTION I

2.1 GENERAL SAFETY RULES.

WARNING

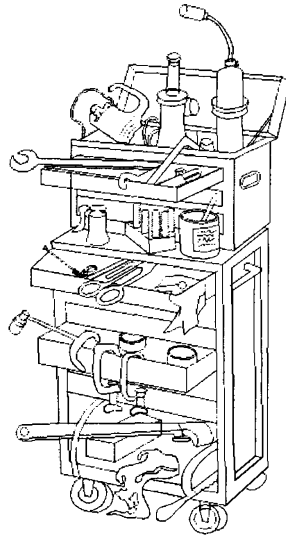
This section contains general safety guidelines when working with hand or power tools. Personnel shall follow their service safety and health program (OPNAVINST 5100.23, AFMAN 91-203, AR 385-10, and national consensus standards such as, ANSI Z49.1). Failure to comply could result in injury to, or death of personnel or long term health hazard.

No matter how small the job, safety must be practiced at all times. A tool may be efficient, essential, time-saving or even convenient; but it is also dangerous. When using any hand tool you must use it correctly, following the methods prescribed in this manual. You must also be alert for any conditions that might endanger yourself or fellow workers. Take the time necessary to acquaint yourself with the safety guidelines in this chapter. Remember, you are the most important part of safety procedures. There will undoubtedly be a safety program to follow for the shop or area in which you will be working. The following general safety rules are furnished as a guide.

- SUPPORT your local safety program and take an active part in safety meetings.
- INSPECT tools and equipment for safe conditions before starting work.
- KEEP tools in a safe place. Never carry tools in pockets or leave them lying around. Stepping on a round screwdriver, for instance, could cause a bad fall. Clean up the work area when the job is completed. Know the location of all safety equipment and be familiar with its operation.
- ADVISE your supervisor promptly of any unsafe conditions or practices.
- LEARN the safe way to do your job before you start.
- THINK safety, and ACT safety at all times.
- OBEY safety rules and regulations, they are for your protection.
- WEAR proper clothing and protective equipment.
- CONDUCT yourself properly at all times, horseplay is prohibited.
- OPERATE only the equipment you are authorized to use.
- REPORT any injury immediately to your supervisor.

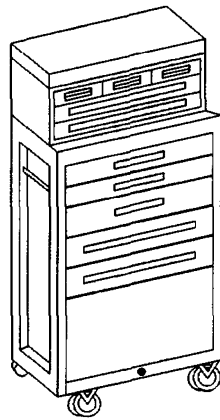
In addition to the above, there are other good tools habits which will help you perform your work more efficiently as well as safely.

2.2 TOOL HABITS.



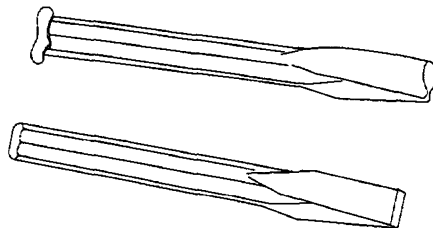
TO-32-1-101-002

“A place for everything and everything in its place” is just common sense. You cannot do an efficient, fast repair job if you have to stop and look around for each tool that you need. The following rules, if applied, will make your job easier.



TO-32-1-101-003

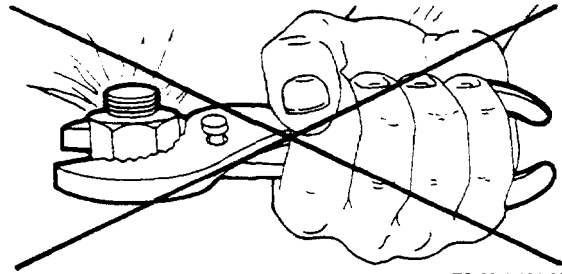
2.2.1 Keep Each Tool in its Proper Storage Place. A tool is useless if you cannot find it. If you return each tool to its proper place, you will know where it is when you need it.



TO-32-1-101-004

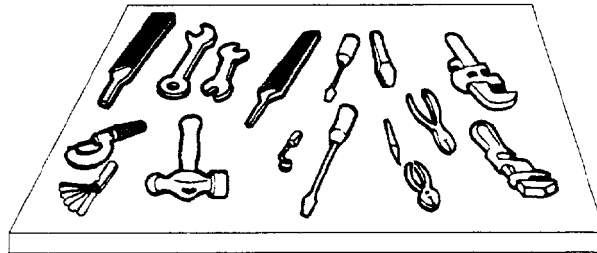
2.2.2 Keep Your Tools in Good Condition. Tools will NOT be removed from service due to minor surface rust, nicks, burrs or breaks. Tools shall be deemed unserviceable only if the rust, nicks, burrs, or breaks progress to a point that impedes the functionality or proper use of the tool, or presents a safety hazard.

2.2.3 Keep Your Tool Set Complete. If you are issued a tool box, each tool should be placed in it when not in use. If possible, the box should be locked and stored in a designated area. Keep an inventory list in the box and check it after each job. This will help you to keep track of your tools.



TO-32-1-101-005

2.2.4 Use Each Tool Only on the Job for Which it was Designed. If you use the wrong tool to make an adjustment, the result will probably be unsatisfactory. For example, if you use a socket wrench that is too big, you will round off the corners of the wrench or nut. If this rounded wrench or nut is not replaced immediately, the safety of your equipment may be endangered in an emergency.



TO-32-1-101-006

2.2.5 Keep Your Tools Within Easy Reach and Where They Cannot Fall on the Floor or on Machinery. Avoid placing tools anywhere above machinery or electrical apparatus. Serious damage will result if the tool falls into the machinery after the equipment is turned on or running.



TO-32-1-101-007

2.2.6 Never Use Damaged Tools. A battered screwdriver may slip and spoil the screw slot or cause painful injury to the user. A gage strained out of shape will result in inaccurate measurements. Remember, a worker's efficiency is often a direct result of the condition of the tools being used. Workers are often judged by the manner in which they handle and care for their tools. You should care for hand tools the same way you care for personal property. Always keep hand tools clean and free from dirt, grease, and foreign matter. After use, return tools promptly to their proper places in the tool box. Improve your own efficiency by organizing your tools so that those used most frequently can be reached easily without sorting through the entire contents of the box. Avoid accumulating unnecessary items.

SECTION II

2.3 POWER TOOL SAFETY.

Safety is a very important factor in the use of power tools and cannot be overemphasized. By observing the following safety guidelines, you can ensure maximum benefits from the tools you use and reduce to a minimum the chances of serious injury.

- a. Never operate any power equipment unless you are completely familiar with its controls and features.
- b. Inspect all portable power tools before using them. See that they are clean and in good condition.
- c. Make sure there is plenty of light in the work area. Never work with power tools in dark areas where you cannot see clearly.
- d. Before connecting a power tool to a power source, be sure the tool switch is in the "OFF" position.
- e. Wear safety glasses when soldering or using power hand tools.
- f. When operating a power tool, give it your FULL and UNDIVIDED ATTENTION.
- g. DO NOT DISTRACT OR IN ANY WAY DISTURB another person while they are operating a power tool.
- h. Never try to clear a jammed power tool until it is disconnected from the power source.
- i. After using a power tool, turn off the power, disconnect the power source, wait for all movement of the tool to stop, and then remove all waste and scraps from the work area. Store the tool in its proper place.
- j. Never plug the power cord of a portable electric tool into a power source before making sure that the source has the correct voltage and type of current called for on the nameplate of the tool.
- k. Do not allow power cords to come in contact with sharp objects, nor should they kink or come in contact with oil, grease, hot surfaces, or chemicals.
- l. Never use a damaged cord. Replace it immediately.
- m. Check electrical cables and cords frequently for overheating. Use only approved extension cords, if needed.
- n. See that all cables and cords are positioned carefully so they do not become tripping hazards.
- o. Treat electricity with respect. If water is present in the area of electrical tool operation, be extremely cautious and if necessary, disconnect the power tool.

SECTION III

2.4 PERSONAL PROTECTIVE EQUIPMENT (PPE).

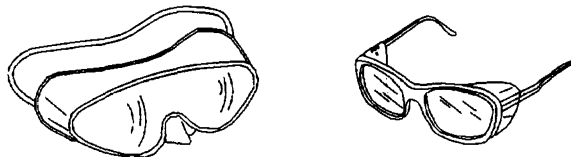
PPE is for you. It will protect you from injury and may possibly save your life. Some of the more common types of PPE are explained in this section.

2.4.1 SAFETY SHOES. Safety shoes protect and prevent injury or loss of toes. Some safety shoes are designed to limit damage to your toes from falling objects. A steel plate is placed in the toe area of such shoes so that your toes are not crushed if an object falls on them. Other safety shoes are designed for use where danger from sparking could cause an explosion. Such danger is minimized by elimination of all metallic nails and eyelets and the use of soles which do not cause static electricity.



TO-32-1-101-008

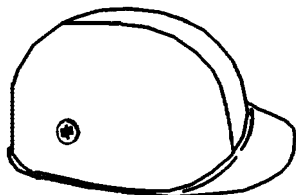
2.4.2 EYE PROTECTION.



TO-32-1-101-009

Proper eye protection is of the highest importance for all personnel. Eye protection is necessary because of hazards caused by infrared and ultraviolet radiation, or by flying objects such as sparks, globules of molten metal, or chipped concrete and wood, etc. These hazards are always present during welding, cutting, soldering, chipping, grinding, and a variety of other operations. It is absolutely necessary for you to use eye protection devices such as helmets, handshields, and goggles during eye-hazard operations. Appropriate use of goggles will limit eye hazards. Some goggles have plastic windows which resist shattering upon impact. Others are designed to limit harmful infrared and ultraviolet radiation from arcs or flames by the use of appropriate filter lenses. Remember, eye damage can be extremely painful. Protect your eyes.

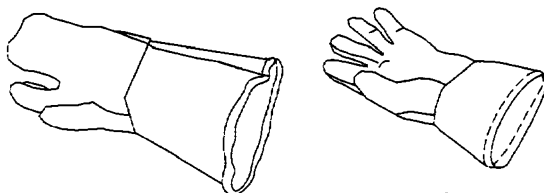
2.4.3 HELMETS.



TO-32-1-101-010

Protective helmets (hard hats) come in a variety of shapes. They may be made of tough polyethylene or polycarbonate, one of the toughest hat materials yet developed. When falling objects strike the hats, the shock-absorbing suspension capabilities minimize injuries. Regular hard hats must be insulated so that personnel may be protected from accidental head contacts with electrical circuits and equipment at comparatively low voltages (less than 2200 volts). Electrical workers requiring head protection necessary to their duties or to the working environment, must wear insulating safety helmets or all-purpose protective helmets which must be capable of withstanding 20,000 volt minimum proof-tests.

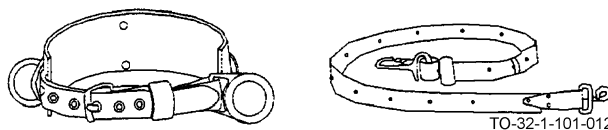
2.4.4 GLOVES.



TO-32-1-101-011

Use gloves whenever you are required to handle rough, scaly, or splintery objects. Two types are shown above. Special flameproof gloves are designed for gas and electric welding in order to limit danger and damage from sparks and other hot, flying objects. Personnel working with electricity are usually required to wear insulating rubber gloves. Be sure to follow all regulations prescribed for the use of gloves. Gloves must not be worn around rotating machinery unless sharp or rough material is being handled. If such is the case, extreme care should be used to prevent the gloves from being caught in the machinery.

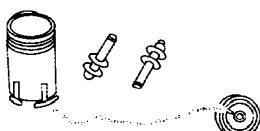
2.4.5 SAFETY BELTS AND SAFETY STRAPS.



TO-32-1-101-012

The safety belt and safety strap are a must when working in high places. The safety belt, strapped around the waist, contains pockets for small tools. It also has two D-rings used to attach the safety strap. The safety strap is a nylon-reinforced leather belt that is placed around the item to be climbed. It is then attached to the two D-rings on the safety belt. Detailed use of the safety belt and safety strap is described in Chapter 49 of this manual.

2.4.6 **HEARING PROTECTION.** Proper hearing protection is a must when working with or around certain types of power tools. Some tools are capable of producing dangerously high noise levels which, if ignored, can result in serious hearing loss or injury. Use the hearing protection regularly.



TO-32-1-101-013

CHAPTER 3

READING MEASURING SCALES

3.1 READING MEASURING SCALES INTRODUCTION.

The following chapter is designed to provide a basic understanding of how to read scales, dials, and gages. It will not provide any information on the actual use of the tools. Reference to this chapter will be made throughout the remainder of the manual.

3.2 READING THE SCALE OF A RULE OR TAPE.

The more common type rules and tapes are divided into fractions, inches, and feet. Explained here are the scales on a 12 inch steel machinist's rule. The rule is divided into twelve inches. The inches are further divided into eighths, sixteenths, thirty-seconds, and sixty-fourths. Look at the rule. There is a small numeral marked on the end of the rule nearest the 1 inch mark. This numeral indicates the number of divisions per inch. When referring to fractions, always use the reduced name. This is the smallest numerator (top number) and denominator (bottom number). For example, $\frac{3}{6}$ can be reduced to $\frac{1}{2}$ by dividing both the top and bottom by 3. Generally, fractions may be reduced to their lowest forms by repeated division by 2 or 3. Look at the section between the "2" and the "3" on the edge marked with an "8" for eighths. There are eight equally spaced lines. The lengths of these lines differ and indicate different fractions or parts of an inch. The longest line is in the center and is equal to $\frac{4}{8}$ or $\frac{1}{2}$ inch. Each half inch is divided in half by a slightly shorter line indicating $\frac{2}{8}$ or $\frac{1}{4}$ on the left and $\frac{6}{8}$ or $\frac{3}{4}$ on the right. Each $\frac{1}{4}$ inch is divided in half by the shortest line which indicates $\frac{1}{8}$ inch, and will indicate $\frac{1}{8}$, $\frac{3}{8}$, $\frac{5}{8}$ and $\frac{7}{8}$. Now turn the rule and look at the edge with a 16 marked on it. There are now 16 equal divisions between each inch. Since $\frac{2}{16}$ reduces to $\frac{1}{8}$, divide each $\frac{1}{8}$ into two equal parts producing $\frac{1}{16}$, $\frac{3}{16}$, $\frac{5}{16}$, $\frac{7}{16}$, $\frac{9}{16}$, $\frac{11}{16}$, $\frac{13}{16}$, and $\frac{15}{16}$. Common tapes and rules usually are not graduated smaller than sixteenths. However, precision measurements require smaller graduations. Look at the back of the machinist's rule. Find the edge marked 32 and once again look between the numbers "2" and "3." To read this rule, remember:

- Sixteen divisions ($\frac{16}{32}$) are equal to $\frac{1}{2}$ inch.
- Eight divisions ($\frac{8}{32}$) are equal to $\frac{1}{4}$ inch.
- Four divisions ($\frac{4}{32}$) are equal to $\frac{1}{8}$ inch.
- Two divisions ($\frac{2}{32}$) are equal to $\frac{1}{16}$ inch.

To read $2\frac{5}{8}$ inches on the scale, first find the two inch mark, then determine the number of 32nds in $\frac{5}{8}$. To determine the number of 32nds in $\frac{5}{8}$, remember four divisions or $\frac{4}{32}$ are equal to $\frac{1}{8}$ inch. If $\frac{1}{8}$ is equal to $\frac{4}{32}$, then $\frac{5}{8}$ is equal to $\frac{20}{32}$ as shown:

- a. Find the $\frac{20}{32}$ reading on the scale as shown above.
- b. Write the new fraction $2\frac{20}{32}$ inches.

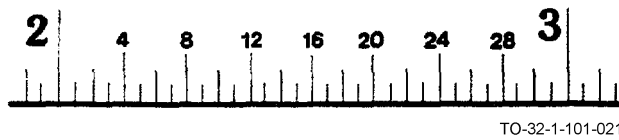
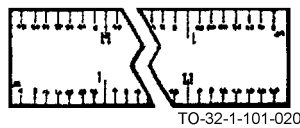
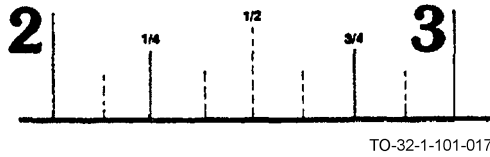
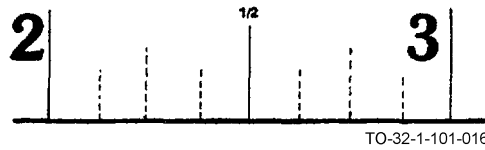
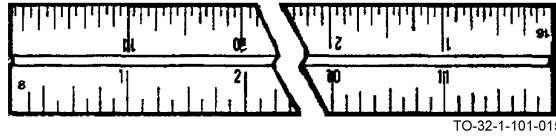
Finally, look at the edge marked 64. Each inch is now divided into 64 equal parts. To read this rule, remember:

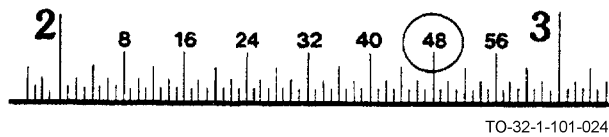
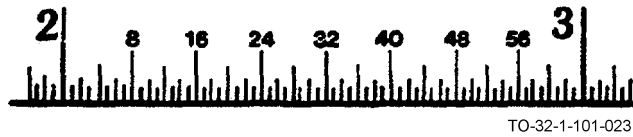
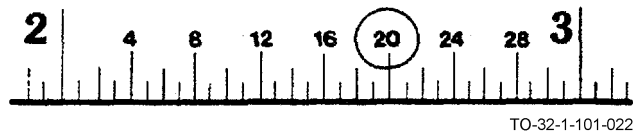
- Thirty-two divisions ($\frac{32}{64}$) are equal to $\frac{1}{2}$ inch.
- Sixteen divisions ($\frac{16}{64}$) are equal to $\frac{1}{4}$ inch.
- Eight divisions ($\frac{8}{64}$) are equal to $\frac{1}{8}$ inch.
- Four divisions ($\frac{4}{64}$) are equal to $\frac{1}{16}$ inch.

AIR FORCE AIR FORCE TO 32-1-101
ARMY ARMY TM 9-243
MARINE CORPS MARINE CORP TM 10209-10/1
NAVY (NAVAIR) NAVY M6290-AJ-MAN-1010

- Two divisions ($2/64$) are equal to $1/32$ inch.

To read $2\text{-}3/4$ inches on this scale, first find the two inch mark. Next, determine the number of 64ths in $3/4$. To determine the number of 64ths in $3/4$, remember every sixteen divisions or $16/64$ are equal to $1/4$ inch. If $1/4$ is equal to $16/64$, then $3/4$ is equal to $48/64$ as shown:

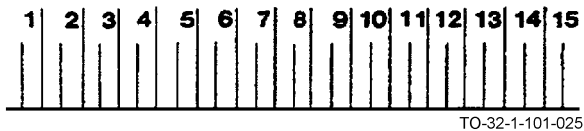




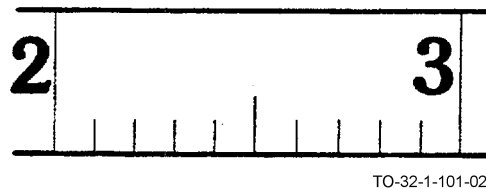
- a. Locate the number 48 between the 2 and 3 inch marks on the scale.
- b. Write the new fraction 2-48/64.

3.3 READING A METRIC RULE.

The metric system is based upon multiples of ten. For example, there are 10 millimeters (mm) in a centimeter (cm) and 100 centimeters in a meter. The example provided will deal only with millimeters.



The meter will become the starting point and from this, two additional scales can be developed for measuring. A meter divided by 100 equals a centimeter, 1/100 or 0.01 meter. Next divide a cm by 10. This will equal a mm, 1/1000 or 0.001 meter.



Now let's look at a section of the rule between 2 cm and 3 cm. There are 10 equal divisions which are equal to 1/10 cm or 1 mm. To measure 26 mm, first locate the longest line designated 2 cm or 20 mm. Next count 6 additional lines to find 26 mm. A table for converting from US Common to metric or from metric to US Common may be found inside the back cover of this manual.

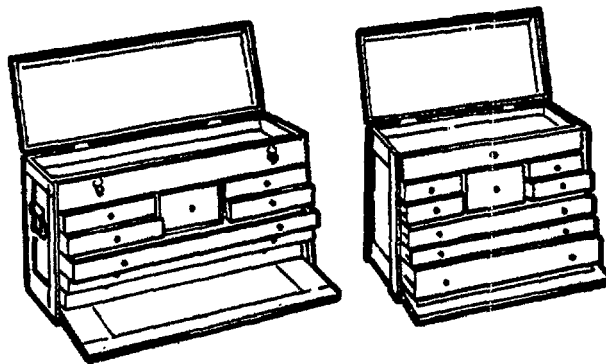
CHAPTER 4 TOOL BOXES

4.1 HOW TO CHOOSE AND USE TOOL BOXES.

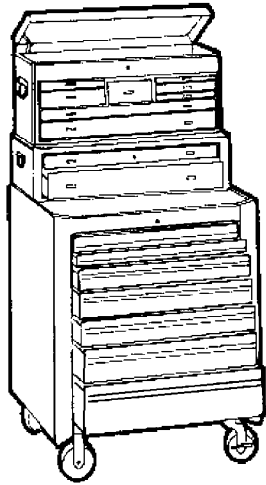
Types and Uses Paragraph 4.2, provides you with a list of some of the types of tool boxes. These pages should help you select the right tool box to do the job.

4.2 TOOL BOXES TYPES AND USES.

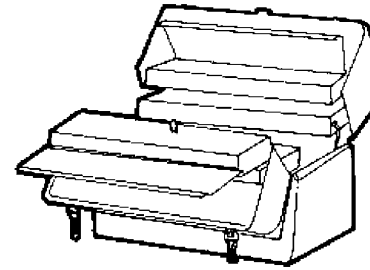
Tool boxes are used for storing tools. They are usually made of steel, but wood and plastics are also used. Portable tool boxes are used for carrying and storing a variety of hand tools. Both special and common tools, such as mechanic's, electrician, and carpentry tools can be found in tool boxes. Chest-type tool boxes generally contain larger tools, such as specialized automotive tools or machinist's tools, requiring a more permanent location. Some larger tool boxes are mounted on wheels so they can be moved easily from place to place. Tool bags are usually made of canvas. Like the boxes, they are available in a variety of sizes and serve similar functions. Examples of tool boxes are illustrated below.



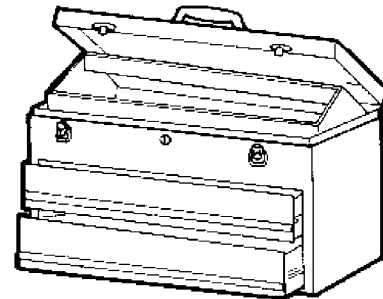
TO-32-1-101-027



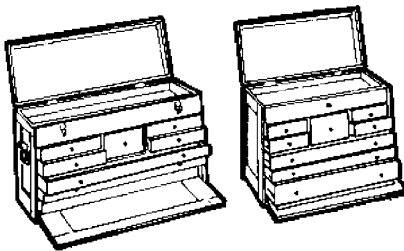
MECHANIC'S TOOL BOX (CHEST TYPE)



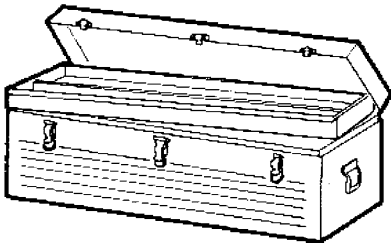
CANTILEVERED TRAY TOOL BOX



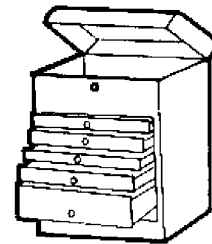
REMOVABLE TRAY TOOL BOX



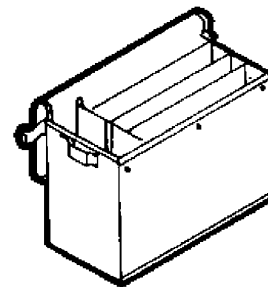
HARDWOOD MACHINIST'S TOOL BOX (CHEST TYPE)



PORTABLE CARPENTER'S TOOL BOX



FIVE-DRAWER PORTABLE TOOL BOX

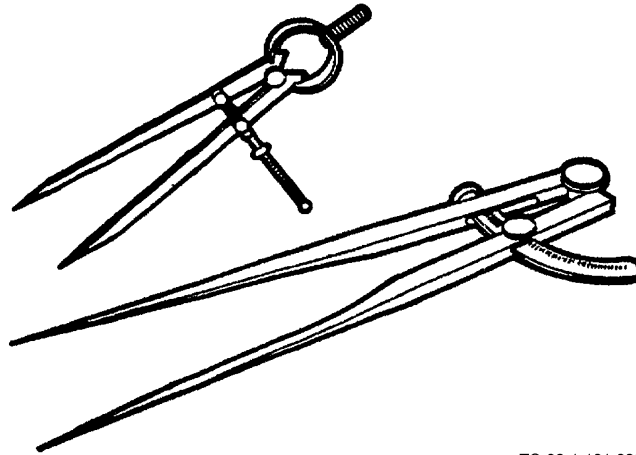


CANVAS TOOL BAG

CHAPTER 5 DIVIDERS

5.1 HOW TO CHOOSE AND USE DIVIDERS.

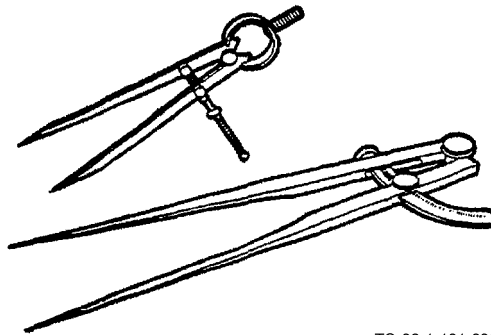
Types and Uses, Paragraph 5.2, provides you with a list of the types of dividers. These pages should help you select the right dividers for the job. Using a Divider to Scribe a Circle, Paragraph 5.3, tells you how to use the dividers to scribe a circle of a desired radius. Care of Divider, Paragraph 5.4, tells you how to care for the dividers.



TO-32-1-101-029

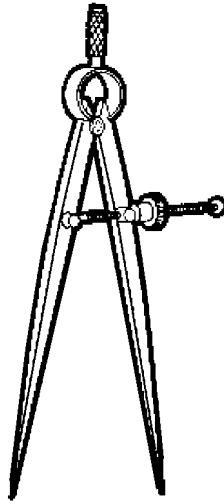
5.2 DIVIDERS TYPES AND USES.

Dividers are instruments used for measuring distances between two points, transferring or comparing measurements directly from a rule, or for scribing an arc, radius, or circle.



TO-32-1-101-030

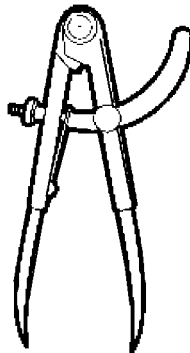
5.2.1 Spring Divider.



TO-32-1-101-031

A spring divider consists of two sharp points at the end of straight legs, held apart by a spring and adjusted by means of a screw and nut. The spring divider is available in sizes from 3 to 10 inches in length.

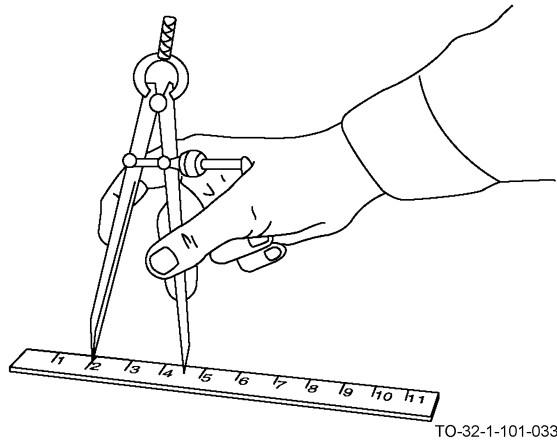
5.2.2 Wing Divider.



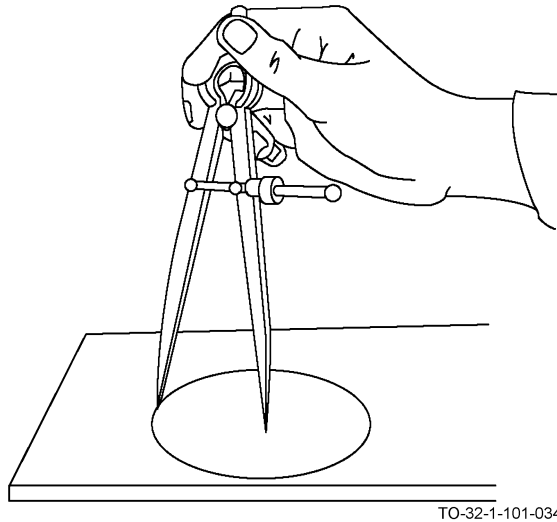
TO-32-1-101-032

A wing-type divider has a steel bar that separates the legs, a lock nut for setting a rough measurement, and an adjustment screw for fine adjustments. The wing-type divider is available in 6, 8, and 12 inch lengths. Also available is a divider with one removable leg, so that a pencil may be inserted.

5.3 USING A DIVIDER TO SCRIBE A CIRCLE.



- a. Set the desired radius on the dividers using the appropriate graduations on a rule.
- b. Place the point of one of the divider legs on the point to be used as the center.



- c. Lean the dividers in the direction of movement and scribe the circle by revolving the dividers.

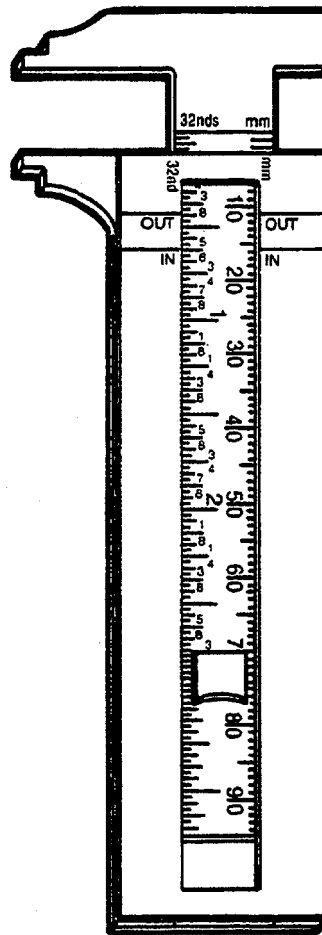
5.4 CARE OF DIVIDERS.

Keep dividers clean and dry. Protect the points against damage. Store dividers where they will not become bent or broken.

CHAPTER 6 CALIPERS

6.1 HOW TO CHOOSE AND USE CALIPERS.

Types and Uses, Paragraph 6.2, provides you with a list of types of calipers. These pages should help you select the right calipers for the job. Reading Calipers Paragraph 6.3, tells you how to read special calipers for accurate measurements. By becoming familiar with this procedure, you will learn to make accurate measurements. Care of Calipers, Paragraph 6.5, tells you how to keep your calipers in good condition.

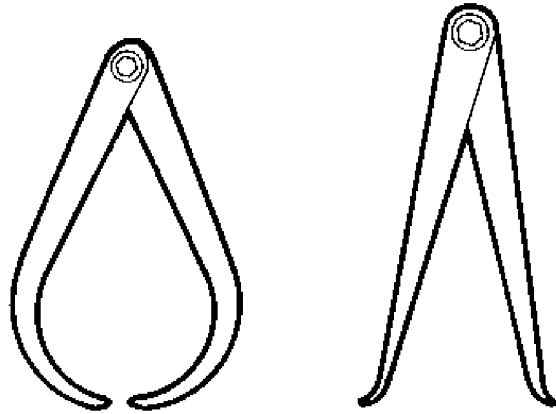


TO-32-1-101-035

6.2 CALIPERS TYPES AND USES.

Calipers are used to measure diameters. Outside calipers measure outside diameters. Inside calipers measure inside diameters. Simple calipers are used along with a scale to find the measurement. Slide calipers and vernier calipers have their own scales.

6.2.1 Simple Calipers.



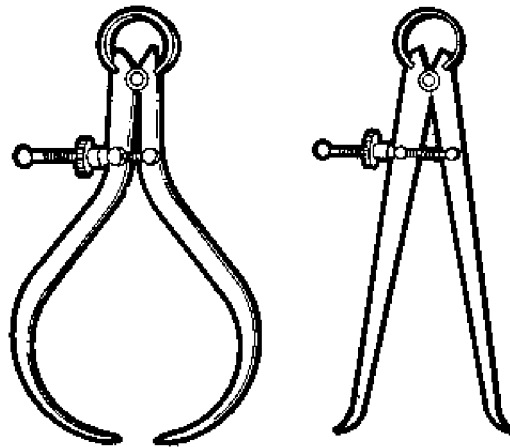
OUTSIDE CALIPERS

INSIDE CALIPERS

TO-32-1-101-036

The simple outside calipers are bowlegged. Those used for inside diameters have straight legs with feet turned outward. Calipers are adjusted by pulling or pushing the legs to open or close them.

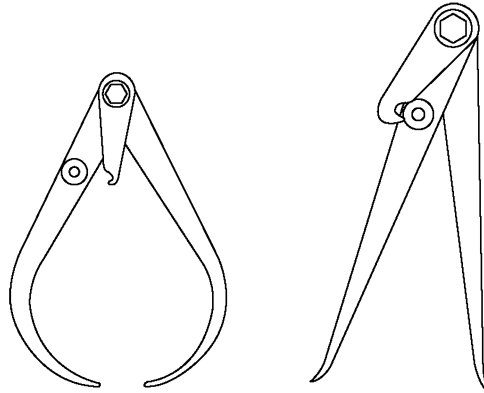
6.2.2 Spring-Joint Calipers.



TO-32-1-101-037

The spring-joint calipers have the same type of legs, but are joined by a strong spring hinge, screw, and adjustment nut.

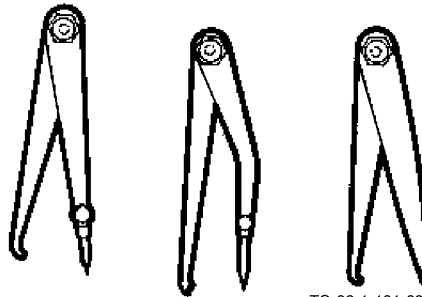
6.2.3 Transfer Calipers.



TO-32-1-101-038

Transfer calipers are used for measuring chamfered grooves or flanges. A screw attaches a small auxiliary leaf to one of the legs. The measurement is made as with ordinary calipers. The leaf is locked to the leg. The legs may be opened or closed as needed to clear the obstruction. The legs are then brought back and locked to the leaf, restoring them to the original setting.

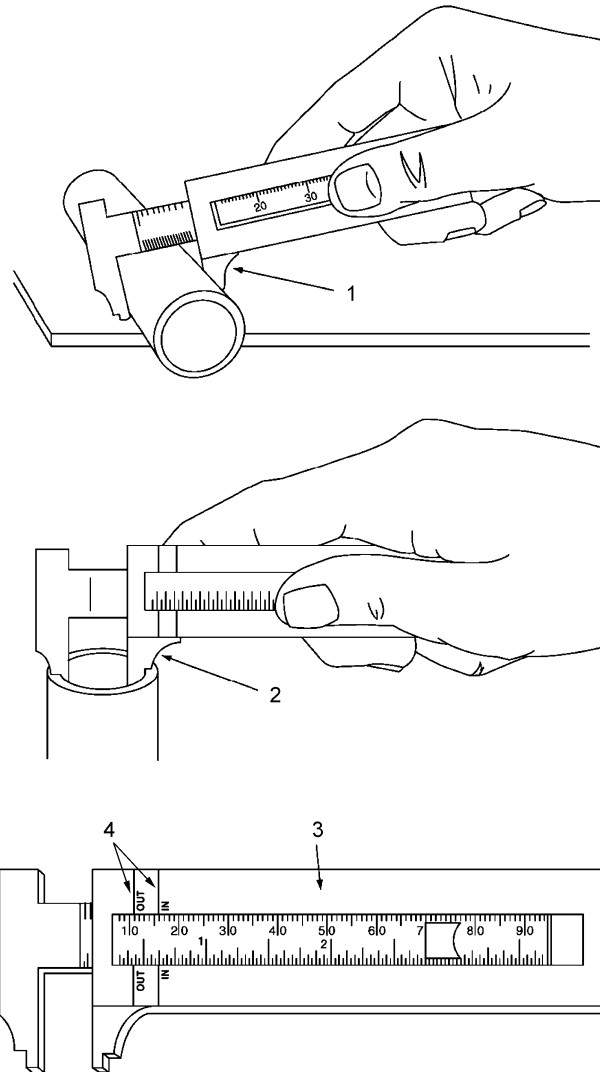
6.2.4 Hermaphrodite Calipers.



TO-32-1-101-039

The hermaphrodite calipers have one straight leg ending in a sharp point. On some models this point is removable. This leg is usually bowlegged. This caliper is used for finding shaft centers or locating shoulders.

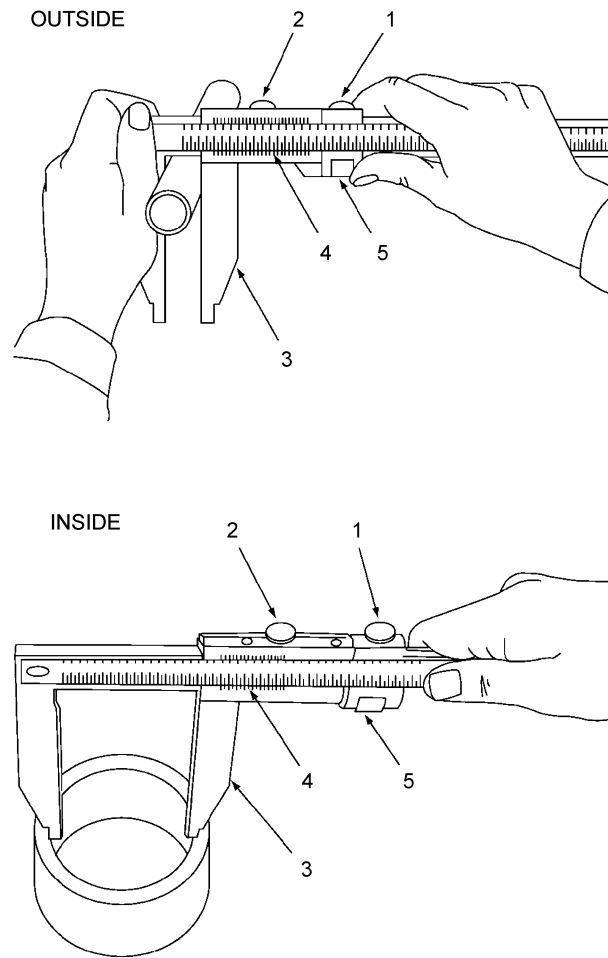
6.2.5 Slide Calipers.



TO-32-1-101-040

Slide calipers can be used for measuring outside and inside dimensions. Graduations are in inches, fractions, or millimeters. As shown above, one side of the caliper is used to measure outside (1) and the other side is used to measure inside (2) dimensions. Stamped on the frame (3) are the words “IN”. and “OUT” (4). You use them when taking inside and outside measurements. The other side of the caliper is used as a straight measuring rule. If necessary, see Chapter 3 of this manual for reading scales and rules.

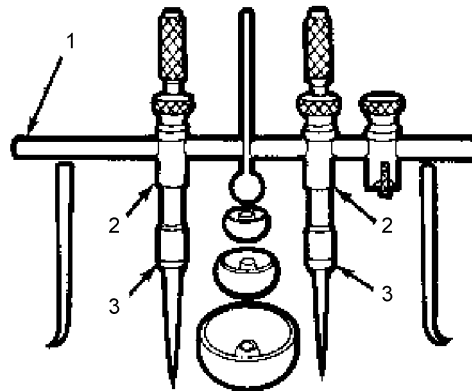
6.2.6 Vernier Calipers.



TO-32-1-101-041

Vernier calipers work like slide calipers. As shown above, vernier calipers can make very accurate outside or inside measurements. A vernier caliper is used by loosening the two locking screws (1) and (2). This allows the movable jaw (3) to move along the rule until desired position is obtained. The locking screw (1) is then retightened securing the movable jaw (3). Any fine adjustments to the vernier scale (4) are then made using adjustment control (5). Locking screw (2) is then secured and vernier caliper is ready to read.

6.2.7 Trammels.



TO-32-1-101-042

The trammel measures distances beyond the range of calipers. The instrument consists of a rod or beam (1) to which trams (2) are clamped. The trams (2) carry chucks (3). The trammel can also be used as a divider by changing the points.

6.3 READING A VERNIER CALIPER.

To read a vernier caliper you must be able to understand both the steel rule and vernier scales. The steel rule (1) is graduated in 0.025 of an inch. Every fourth division (2) (representing a tenth of an inch) is numbered. The vernier scale (3) is divided into 25 parts and numbered 0, 5, 10, 15, 20, and 25. These 25 parts are equal to 24 parts on the steel rule (1). The difference between the width of one of the 25 spaces on the vernier scale (3) and one of the 24 spaces on the steel rule (1) is 1/1000 of an inch.

Read the measurement as shown above.

Read the number of whole inches on the top scale (1) to the left of the vernier zero index (4) 1.000 inch and record.

Read the number of tenths (5) to the left of the vernier zero index (4) and record. 0.400 inch

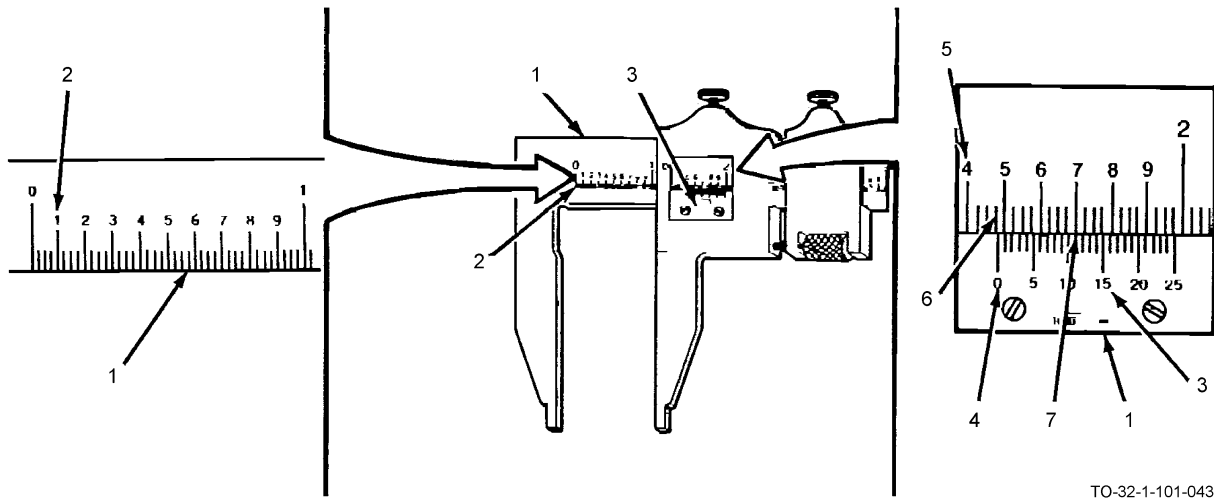
Read the number of twenty-fifths (6) between the tenths mark (5) and the zero index (4) and record. $3 \times 0.025 = 0.075$ inch

Read the highest line on the vernier scale (3) which lines up with the lines on the top scale (7) and record. (Remember $1/25 = 0.001$ inch.) $11/25$ or 0.011 inch

TOTAL 1.486 inches

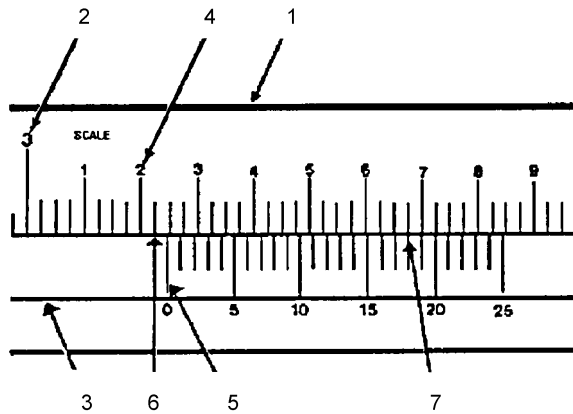
Most vernier calipers read “OUTSIDE” on one side and “INSIDE” on the other side. If a scale isn’t marked, and you want to take an inside measurement, read the scale as you would for an outside diameter. Then add the measuring point allowance by referring to manufacturer’s instructions or the following table.

<u>Size of Caliper</u>	<u>English Measure</u>	<u>Metric Measure</u>
6 inch or 150 millimeter (mm)	Add 0.250 inch	Add 8.35 mm
12 inch or 300 mm	0.300 inch	7.62 mm
24 inch or 600 mm	0.300 inch	7.62 mm
36 inch or 600 mm	0.500 inch	12.70 mm



TO-32-1-101-043

6.4 READING A METRIC CALIPER.



TO-32-1-101-044

The steel rule (1) is divided into centimeters (cm) (2) and the longest lines represent 10 mm each. Each millimeter is divided into quarters. The vernier scale (3) is divided into 25 parts and is numbered 0, 5, 10, 15, 20 and 25.

Read the total number of mm (4) to the left of the vernier zero index (5) and record 32.00 cm
 Read the number of quarters (6) between the mm mark and the zero index and record 25 mm = (1 quarter)
 Read the highest line on the vernier scale (3) which lines up with the line on the scale (7) and record 18 mm

TOTAL $\overline{32.43}$ mm

6.5 CARE OF CALIPERS.

- a. As needed, coat metal parts of all calipers with a light coat of oil to prevent rust.
- b. Store calipers in separate containers provided.

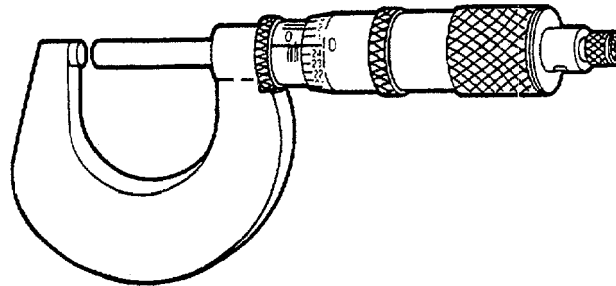
AIR FORCE AIR FORCE TO 32-1-101
ARMY ARMY TM 9-243
MARINE CORPS MARINE CORP TM 10209-10/1
NAVY (NAVAIR) NAVY M6290-AJ-MAN-1010

- c. Keep graduations and markings on all calipers clean and legible.
- d. Do not drop any caliper. Small nicks or scratches can cause inaccurate measurements.
- e. Protect caliper points from damage.

CHAPTER 7 MICROMETERS

7.1 HOW TO CHOOSE AND USE MICROMETERS.

Types and Uses, Paragraph 7.2, provides you with a list of the types of micrometers. These pages should help you select the right micrometer for the job. Reading Micrometers, Paragraph 7.4, tells you how to read the different varieties of micrometers. By becoming familiar with the procedures you will learn to make accurate measurements.

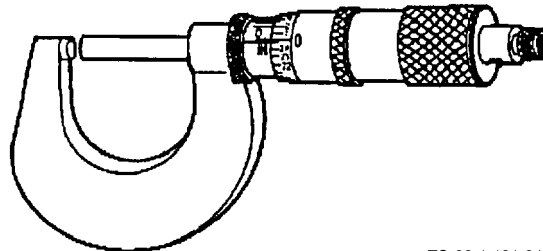


TO-32-1-101-045

7.2 MICROMETERS TYPES AND USES.

Micrometers are instruments used to measure distances to the nearest one-thousandth of an inch. The measurement is usually expressed or written as a decimal. There are three types of micrometers which are commonly used: the outside micrometer, the inside micrometer, and the depth micrometer.

7.2.1 Outside Micrometers.



TO-32-1-101-046

Outside micrometers are used to measure an outside distance or diameter to an accuracy of 0.001 of an inch.

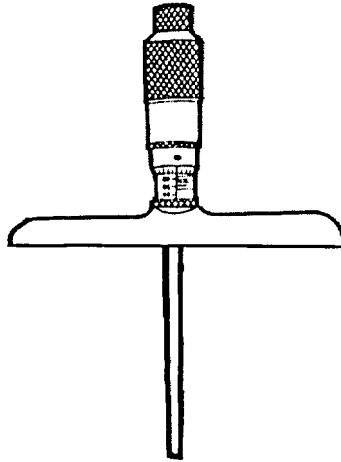
7.2.2 Inside Micrometers.



TO-32-1-101-047

Inside micrometers are used to measure an inside diameter to an accuracy of 0.001 of an inch. ID micrometers have a range of 0.500 when used with one-half inch spacers.

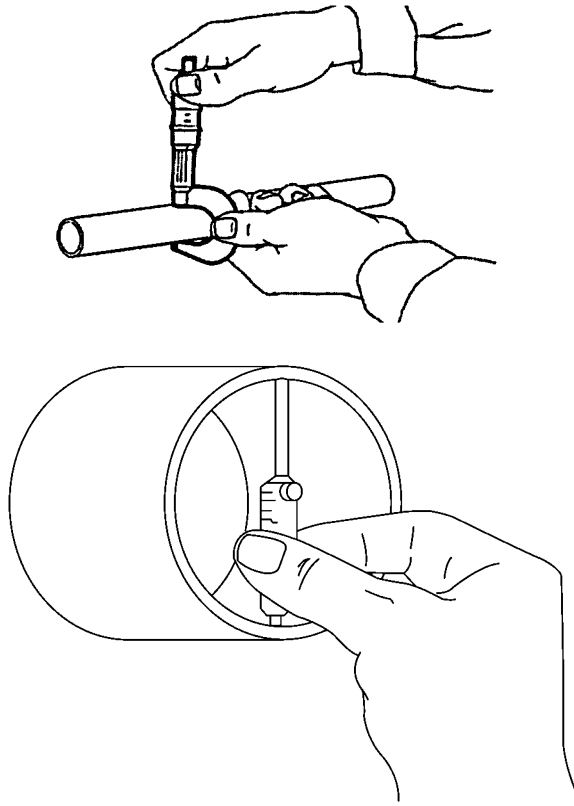
7.2.3 Depth Micrometers.



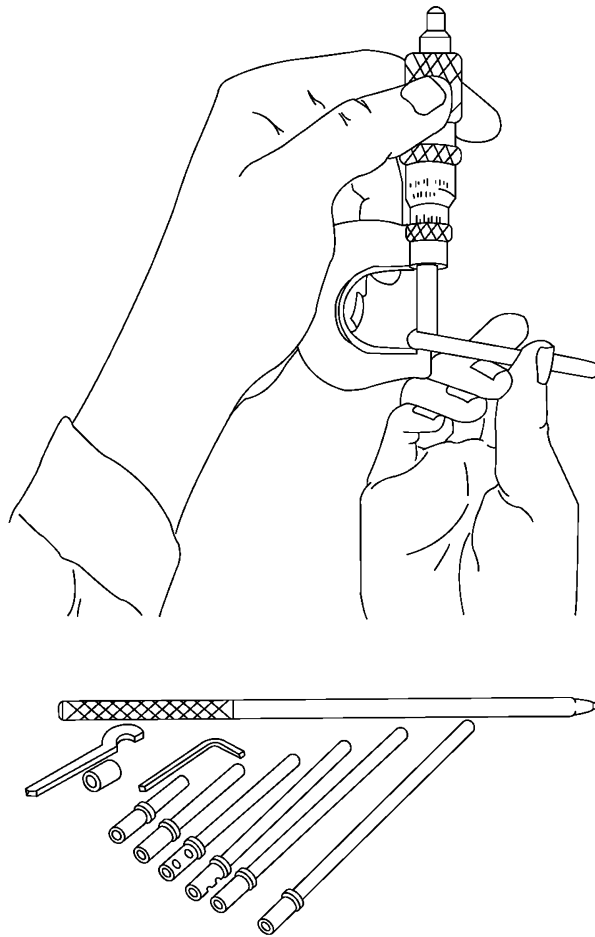
TO-32-1-101-048

Depth micrometers are used to measure depths to an accuracy of 0.001 inches.

7.3 SELECTING THE PROPER MICROMETER.



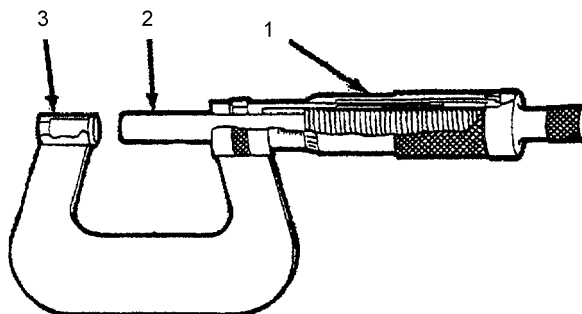
TO-32-1-101-049



TO-32-1-101-050

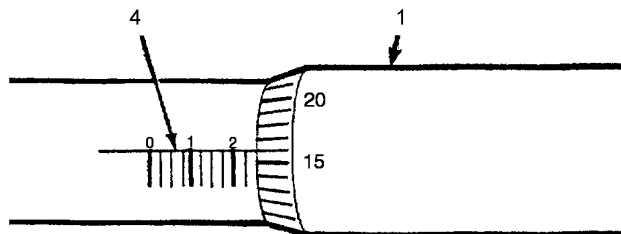
The types of micrometers commonly used are made so that the longest movement possible between the spindle and the anvil is 1 inch. This movement is called the "range." The frames of micrometers, however, are available in a wide variety of sizes, from 1 inch up to as large as 24 inches. The range of a 1 inch micrometer is from 0 to 1 inch. In other words, it can be used to work where the part to be measured is 1 inch or less. A 2 inch micrometer has a range from 1 to 2 inches, and will measure only work between 1 and 2 inches thick. A 6 inch micrometer has a range from 5 to 6 inches, and will measure only work between 5 and 6 inches thick. It is necessary, therefore, that the mechanic first find the approximate size of the work to the nearest inch, and then select a micrometer that will fit it. For example, to find the exact diameter of a piece of round stock use a rule and find the approximate diameter of the stock. If it is found to be approximately 3-1/4 inches, a micrometer with a 3 to 4 inch range would be required to measure the exact diameter. Similarly, with inside and depth micrometers, rods of suitable lengths must be fitted into the tool to get the approximate dimension within an inch, after which the exact measurement is read by turning the thimble. The size of a micrometer indicates the size of the largest work it will measure.

7.4 READING A STANDARD MICROMETER.



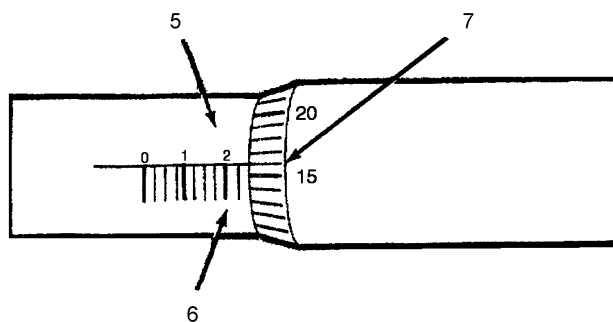
TO-32-1-101-051

Reading a micrometer is only a matter of reading the micrometer scale or counting the revolutions of the thimble and adding to this any fraction of a revolution. The micrometer screw has 40 threads per inch. This means that one complete and exact revolution of the micrometer screw (1) moves the spindle (2) away from or toward the anvil (3) exactly 1/40 or 0.025 inch.



TO-32-1-101-052

The lines on the barrel (4) conform to the pitch of the micrometer screw (1), each line indicating 0.025 inch, and each fourth line being numbered 1, 2, 3, and so forth. The beveled edge of the thimble is graduated into 25 parts, each line indicating 0.001 inch, or 0.025 inch covered by one complete and exact revolution of the thimble. Every fifth line on the thimble is numbered to read a measurement in thousandths of an inch.



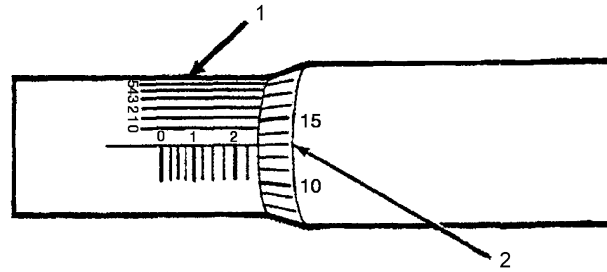
TO-32-1-101-053

7.4.1 To Read a Measurement as Shown in the Paragraph Above:

Read highest figure visible, on barrel (5).	2 = 0.200 inches
Number of lines visible between the Number (No.) 2 and thimble edge (6).	1 = 0.025 inches
The line on the thimble that coincides with or has passed the revolution or long line in the barrel (7).	16 = 0.016 inches
TOTAL	= 0.241 inches

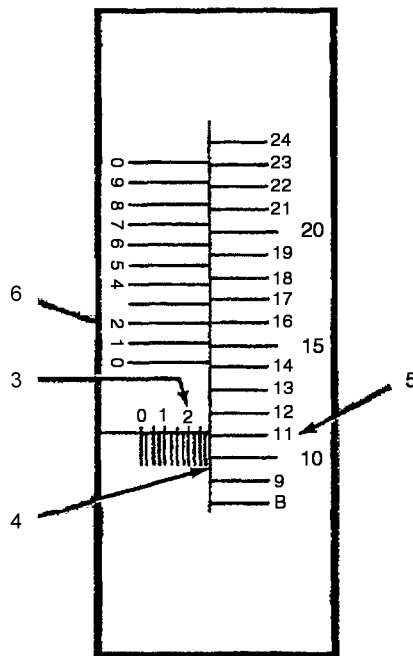
7.5 READING A VERNIER MICROMETER.

Reading the vernier micrometer is the same as reading the standard micrometer. An additional step must be taken, to add the vernier reading to the dimensions. This allows for precise measurements which are accurate to ten-thousandths (0.0001) of an inch. This scale furnishes the fine readings between the lines on the thimble rather than making an estimate as you would on a standard micrometer.



TO-32-1-101-054

The ten spaces on the vernier (1) are equivalent to 9 spaces on the thimble (2). Therefore, each unit on the vernier scale is equal to 0.0009 inch and the difference between the sizes of the units on each scale is 0.0001 inch.



TO-32-1-101-055

7.5.1 To Read a Measurement as Shown Above:

Read highest figure visible on barrel (3).

2 = 0.200 inches

Number of lines visible between the Number (No.) 2 and thimble edge (4).

3 = 0.075 inches

The line on the thimble that coincides with or is nearest the revolution or long line in the barrel (5).

11 = 0.011 inches

The line on the vernier scale that coincides with the line on the thimble (6).

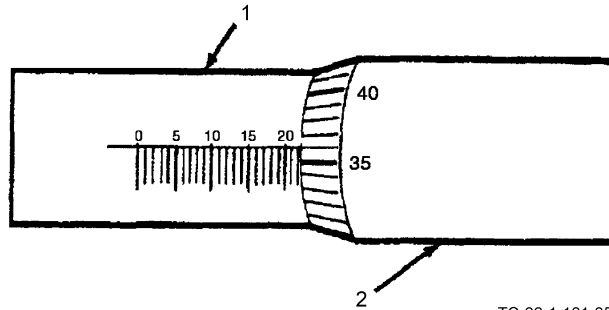
2 = 0.0002 inches

TOTAL

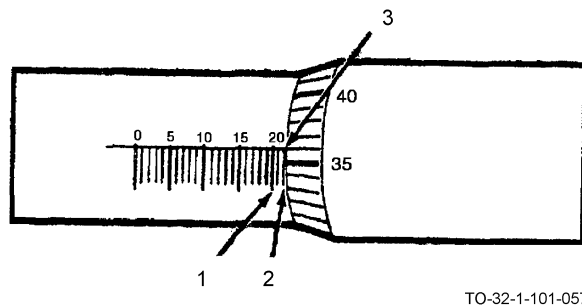
= 0.2862 inches

7.6 READING A METRIC MICROMETER.

The same principle is applied in reading the metric graduated micrometer, but the following changes in graduations are used: The pitch of the micrometer screw is 0.05 millimeters (mm). One revolution of the spindle advances or withdraws the screw a distance equal to 0.5 mm.



The barrel (1) is graduated in millimeters from 0 to 25. It takes two revolutions of the spindle to move the barrel 1 mm. The thimble (2) is graduated in 56 divisions with every fifth line being numbered. Rotating the thimble from one graduation to the next moves the spindle 1/50 of 0.5 mm, or 1/100 mm. Two graduations equal 2/100 mm, and so forth.



7.6.1 To Read a Measurement as Shown Above.

Read highest figure visible on barrel (1).	20 = 20.0 mm
Number of lines visible between the No. 20 and thimble edge (2).	2 = 2.0 mm
The line on the thimble that coincides with or has passed the revolution or long line in the barrel (3).	36 = 36/100 (36) mm

NOTE

Remember that 1 revolution is 0.5 mm. It takes 2 revolutions to move 1 mm.

Measurement reading.	TOTAL <u>22.36 mm</u>
----------------------	-----------------------

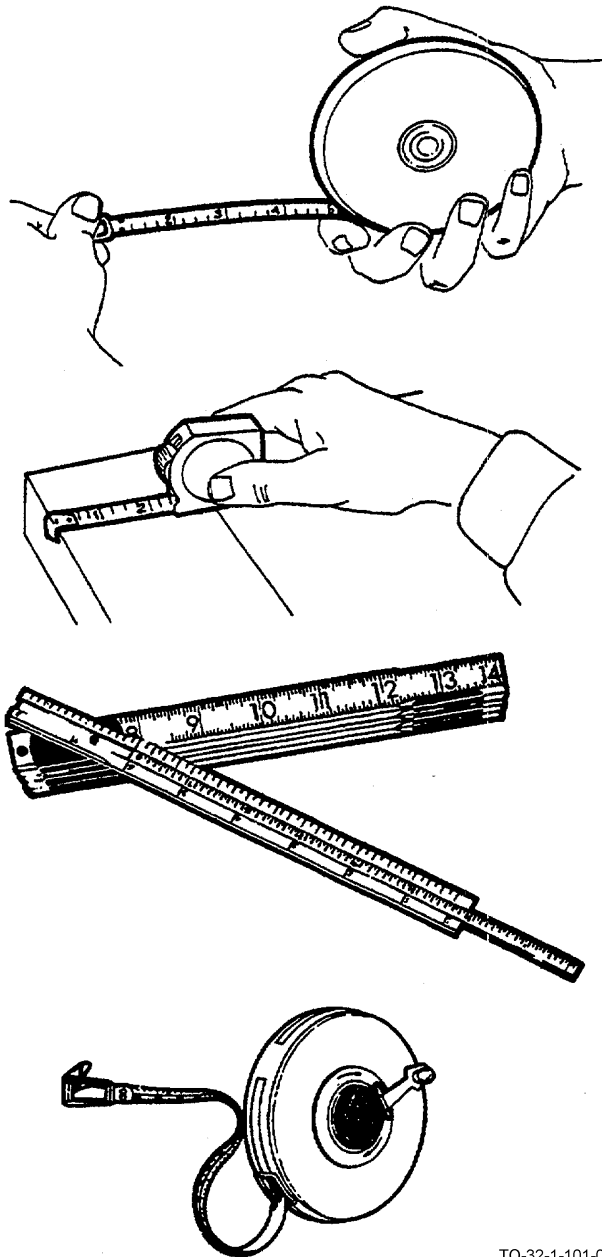
7.7 CARE OF MICROMETERS.

- a. As needed, coat metal parts of all micrometers with a light coat of oil to prevent rust.
- b. Store micrometers in separate containers provided by manufacturer.
- c. Keep graduations and markings on all micrometers clean and legible.
- d. Do not drop any micrometer. Small nicks or scratches can cause inaccurate measurements.

CHAPTER 8 RULES AND STEEL TAPES

8.1 HOW TO CHOOSE AND USE RULES AND STEEL TAPES.

Types and Uses, Paragraph 8.2, provides you with a list of the types of rules and tapes. These pages should help you select the right rule or tape for the job. Using Rules and Tapes, Paragraph 8.3, tells you how to use the various types of measuring instruments. Care of Rules and Tapes, Paragraph 8.4, tell you how to care for rules and tapes.

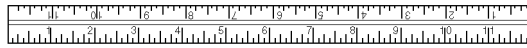


TO-32-1-101-058

8.2 RULES AND STEEL TAPES TYPES AND USES.

The rule or tape is used for measuring where accuracy is not an extremely critical factor. They can be rigid or flexible, come in various lengths, and can be made of wood, metal, cloth, or fiberglass.

8.2.1 Rules.



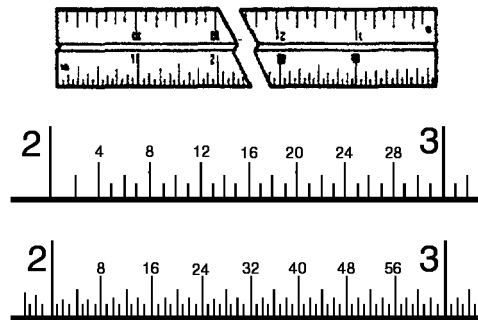
TO-32-1-101-059

The rule is the most common of measuring tools. This rule is usually 6 or 12 inches in length, although other lengths are available. Steel rules may be flexible or non-flexible, but the thinner the rule, the easier it is to measure accurately because the division marks are closer to the work.



TO-32-1-101-060

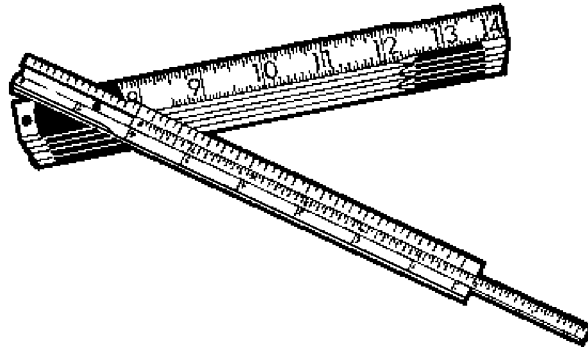
A rule usually has four sets of graduations, one on each edge of each side. The longest lines represent the inch marks. On one edge each inch is divided into 8 equal spaces so each space represents 1/8 inch. The other edge of this side is divided in sixteenths. The 1/4 inch and 1/2 inch marks are commonly made longer than the smaller division marks to facilitate counting, but the graduations are usually not numbered individually, as they are sufficiently far apart to be counted without difficulty. The opposite side is similarly divided into 32 and 64 spaces per inch, and it is common practice to number every fourth division for easier reading.



TO-32-1-101-061

There are many variations of the common rule. Sometimes the graduations are on one side only, sometimes a set of graduations is added across one end for measuring in narrow spaces, and sometimes only the first inch is divided into 64ths, with the remaining inches divided into 32nds and 16ths. A metal or wood folding rule may be used.

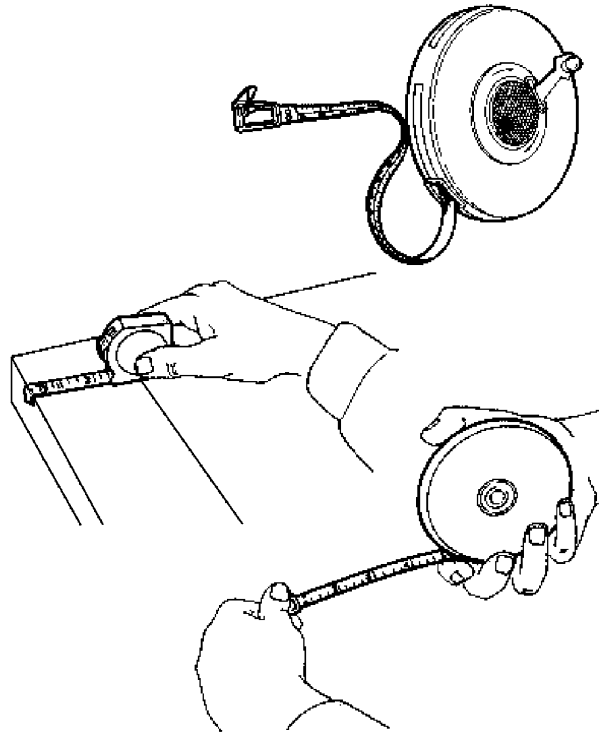
8.2.2 Folding Rules.



TO-32-1-101-062

These folding rules are usually from two to six feet long. The folding rules cannot be relied on for extremely accurate measurements because a certain amount of play develops at the joints after continued use.

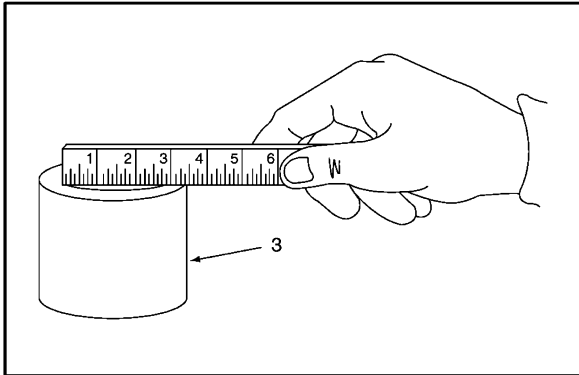
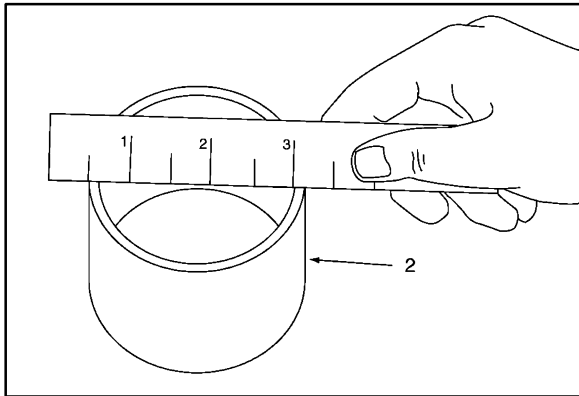
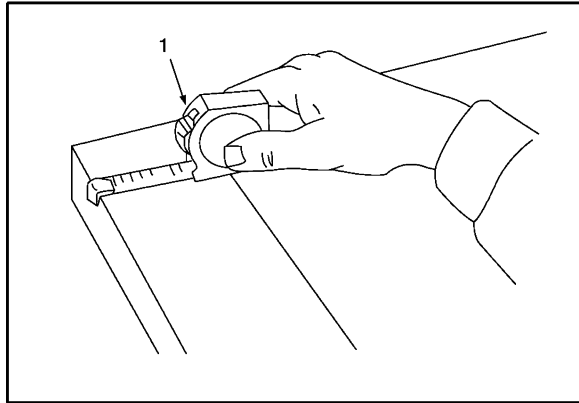
8.2.3 Steel Tapes.



TO-32-1-101-063

Steel tapes are made from 6 to about 300 feet in length. The shorter tapes are made with a curved, but rigid, cross section flexible enough to be rolled up. Long, flat tapes need support over their full length to avoid sagging. Lack of support can cause reading errors. The most common types of steel tapes have a hook at one end to let one person take all the readings.

8.3 USING RULERS AND TAPES EXAMPLES.

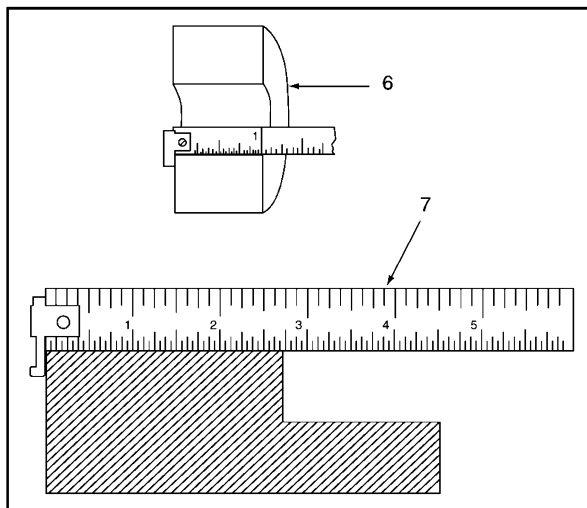
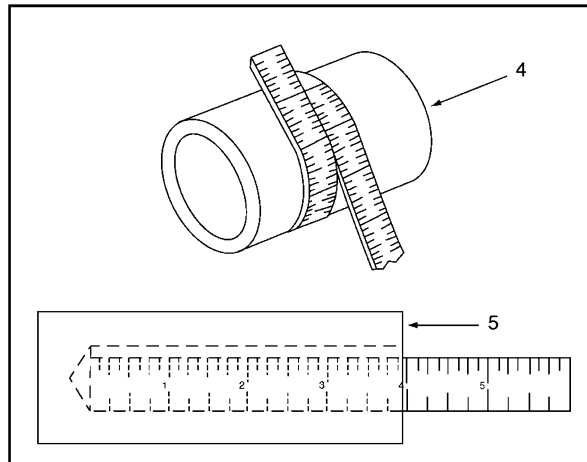


TO-32-1-101-064

8.4 CARE OF RULES AND TAPES.

1. Keep rules and tapes clean and dry.

2. Store rules and tapes where they will not become bent or damaged.



1. RULES AND TAPES USED FOR MEASURING LENGTHS.
2. MEASURING THE OUTSIDE DIAMETER OF PIPE.
3. MEASURING THE INSIDE DIAMETER OF PIPE.
4. MEASURING THE CIRCUMFERENCE OF PIPE.
5. MEASURING INSIDE DIMENSIONS.
6. MEASURING THE THICKNESS OF STOCK THROUGH A HOLE
7. MEASURING OUTSIDE DIMENSION WITH A TAPE.

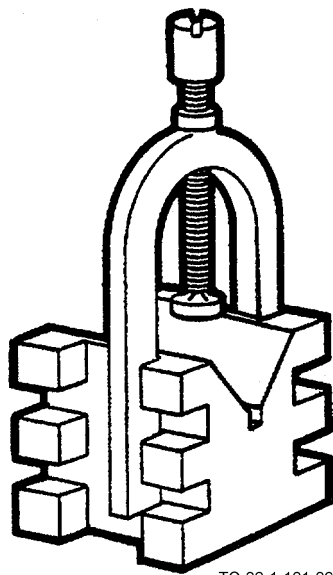
TO-32-1-101-065

CHAPTER 9

MISCELLANEOUS MEASURING TOOLS

9.1 HOW TO CHOOSE AND USE MISCELLANEOUS MEASURING TOOLS.

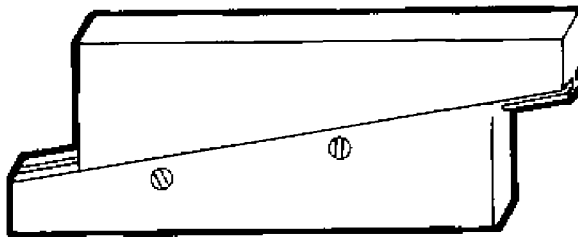
Types and Uses, Paragraph 9.2, provides you with a list of the more common types of miscellaneous measuring tools. These pages should help you select the right measuring tool for the job. Using, Paragraph 9.3, tells you how to use several of these tools for a certain application. Although there are many other uses for these tools, you should be able to perform most any task by becoming familiar with the procedures outlined in these pages. Care of Miscellaneous Measuring Tools, Paragraph 9.4, tells how to care for your measuring tools.



TO-32-1-101-066

9.2 MISCELLANEOUS MEASURING TOOLS TYPES AND USES.

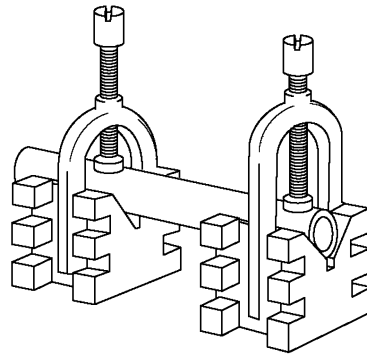
9.2.1 Adjustable Parallel.



TO-32-1-101-067

Adjustable parallels consist of two tapered parts fitted together. The distance between the two outside parallel surfaces varies by moving mating parts together or apart. This distance is then measured with a micrometer. Adjustable parallels are used as gages for leveling and setup work. Adjustable parallels are available in various sizes depending on the nature of work.

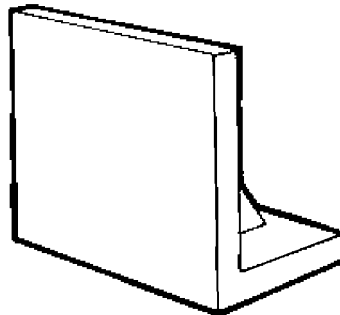
9.2.2 V-Block and Clamp.



TO-32-1-101-068

The V-block and clamp assembly consists of a V-shaped, hardened steel body to support round, square, or rectangular shaped work. A clamp (or clamps) holds the work firmly in the body groove. V-blocks and clamps are especially used for grinding, milling, or drilling purposes. Various styles and designs of V-blocks and clamps are available depending on application.

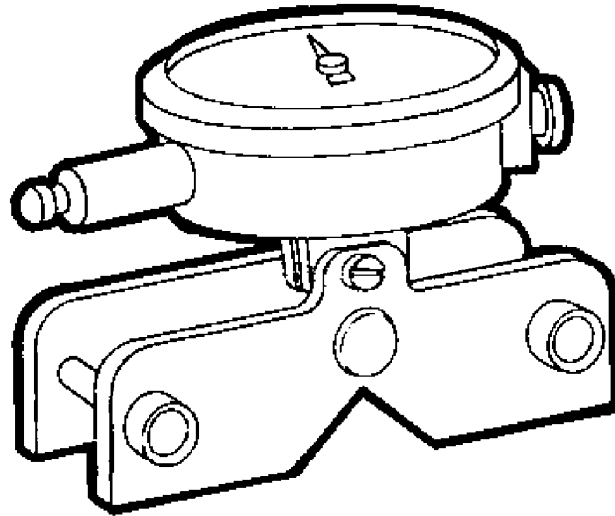
9.2.3 Angle Plates.



TO-32-1-101-069

Angle plates are devices consisting of two flat outside working surfaces jointed at right angles. The outside work surfaces are precision ground. The standard angle plate is permanently jointed at a right angle. However, an adjustable type with varying angle adjustments is also available. Angle plates are used for clamping or holding work vertically. They are also used for layout, inspection, or machine set-up. Various sizes and designs are available depending on the task.

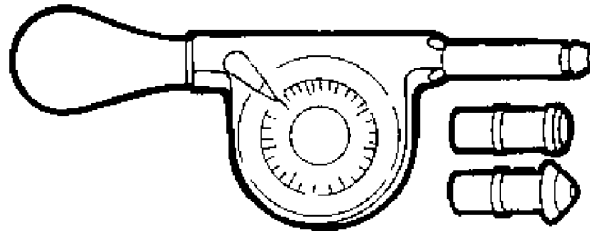
9.2.4 Magnetic Base Indicator Holder.



TO-32-1-101-070

The magnetic base indicator holder is a one-piece metal assembly that attaches to the work surface magnetically. A gage or indicator attaches to the assembly. Base indicator holders are used for attaching gages to lathes, milling machines, shapers, or any machine where graduations are difficult to read. Magnetic base indicator holders are available in many sizes and designs depending on application.

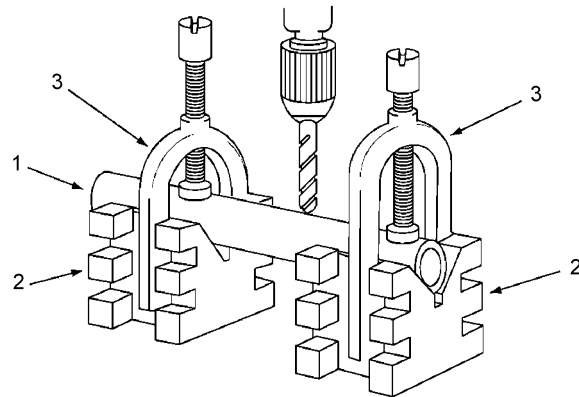
9.2.5 Registering Speed Indicators.



TO-32-1-101-071

Registering speed indicators are designed to count the number of revolutions of wheels, shafts, etc. Revolutions are counted by attaching spindle of speed indicator to hub of shaft or wheel. Indicator spindle will turn in either direction counting each revolution on a circular dial. Various designs of speed indicators are available depending on nature of use.

9.3 USING MISCELLANEOUS MEASURING TOOLS.



TO-32-1-101-072

- a. Place pipe (1) in V-blocks (2).
- b. Secure pipe (1) in position using screw clamps (3).
- c. Begin drilling at desired spot on pipe (1).

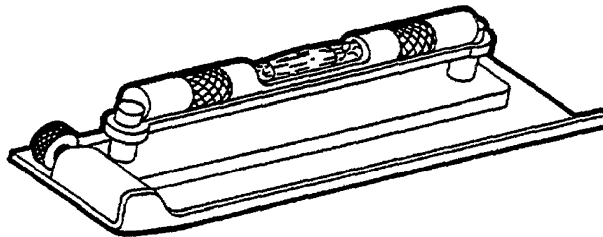
9.4 CARE OF MISCELLANEOUS MEASURING TOOLS.

- a. Clean all tools thoroughly after using.
- b. As needed, apply a light coat of oil to all exposed metal parts to avoid rusting.
- c. To avoid possible damage to sensitive tools, store tools in proper locations.

CHAPTER 10 LEVELS

10.1 HOW TO CHOOSE AND USE LEVELS.

Types and Uses, Paragraph 10.2, provides you with a list of types of levels. These pages should help you select the right level for the job. Using a Level, Paragraph 10.3, tells you how to use levels for their various functions (plumbing, leveling, etc).

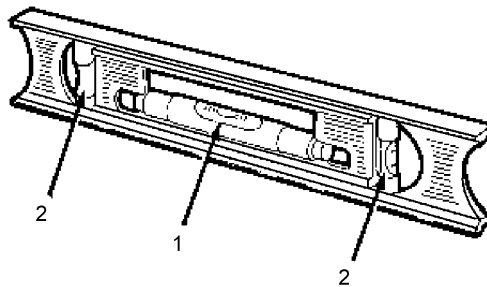


TO-32-1-101-073

10.2 LEVELS TYPES AND USES.

Levels are tools designed to prove whether a plane or surface is in the true vertical or true horizontal. All levels consist of a liquid-filled glass tube or tubes supported in a frame.

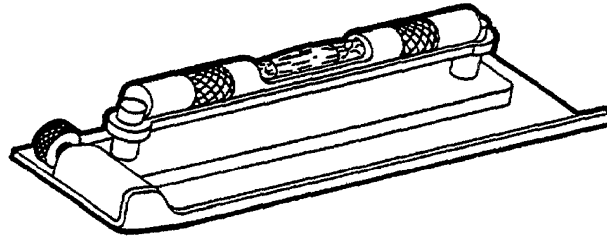
10.2.1 Master Precision Level.



TO-32-1-101-074

The master precision level has a ground and graduated main vial (1). The top and bottom of the level are milled and ground to make sure both surfaces are absolutely parallel. This level is used to determine the true horizontal with the main vial (1). The true vertical is determined by using the two smaller vials (2).

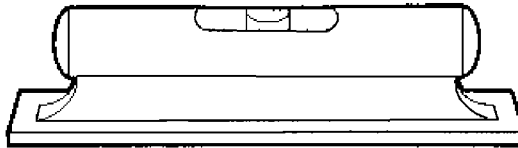
10.2.2 Machinist's Level.



TO-32-1-101-073

The machinist's level has an extra large vial. This increases its accuracy and sensitivity. Some of these levels have grooved bottoms which fit over pipes and shafts. They are used in machine shops for leveling work and equipment.

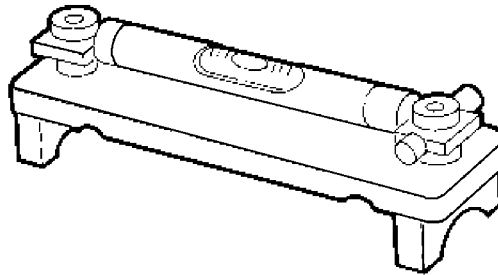
10.2.3 Iron Bench Level.



TO-32-1-101-075

The iron bench level is made of a special design casting which insures its lightness, strength, and rigidity. It is used mostly in the construction industry. It may also be used in a machine shop.

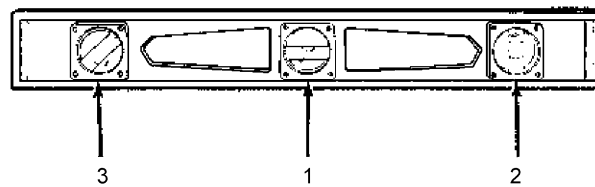
10.2.4 Striding Level.



TO-32-1-101-076

The iron bench level is made of a special design casting which insures its lightness, strength, and rigidity. It is used mostly in the construction industry. It may also be used in a machine shop.

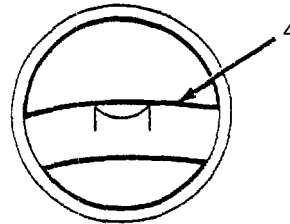
10.2.5 Carpenter's Level.



TO-32-1-101-077

The carpenter's level has three vials which are mounted horizontally (1), vertically (2), and at a 45 degree angle (3). The

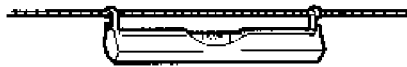
carpenter's level is used in construction for checking for true vertical, true horizontal, and 45 degree angles.



TO-32-1-101-078

Some levels have a bent tube (4) which allows the bubble to settle quickly.

10.2.6 Line Level.



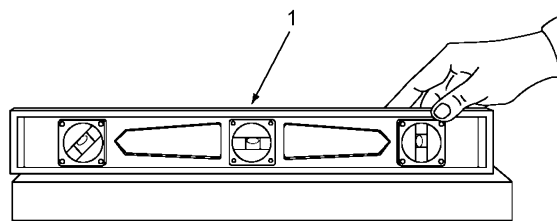
TO-32-1-101-079

The line level is a single vial in a metal case with a hook on each end for hanging on a cord. It is used to check whether two points are level, such as two points on a floor or in an elevation. It must be used with a tightly stretched cord.

10.3 USING A LEVEL.

A level may be checked for accuracy by placing it on a known level surface and noting the position of the bubble. Reverse the level end for end. Observe the position of the bubble. If the relative position of the bubble was the same for both readings, the level is accurate.

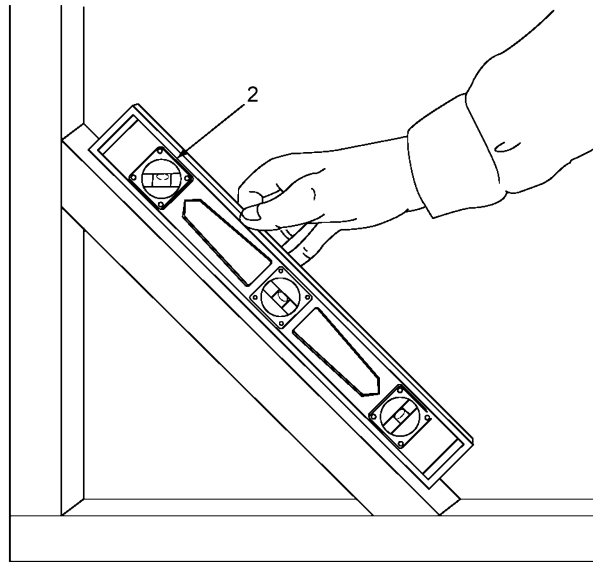
10.3.1 Horizontal Surface.



TO-32-1-101-080

Place the level on a flat horizontal surface. Check the horizontal vial (1). The bubble should be between the two etched lines on the vial. If it is not, the surface is not horizontal.

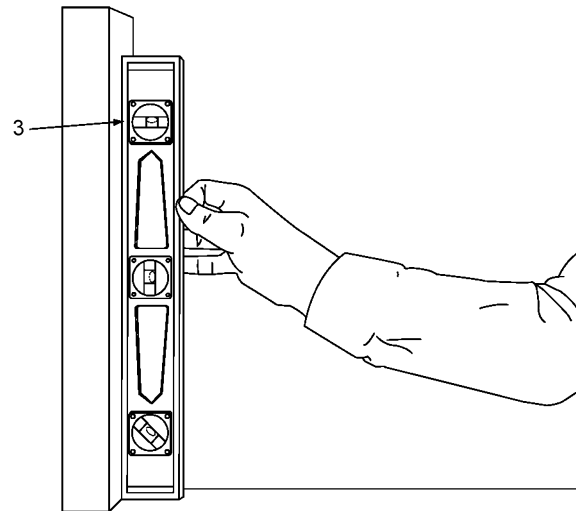
10.3.2 Angled Surface.



TO-32-1-101-081

Place the level on an angled surface. If the angle is 45 degrees, the bubble will appear between the notched lines on the 45 degree vial (2).

10.3.3 Vertical Surface.



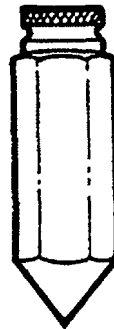
TO-32-1-101-082

Place the level against a flat vertical surface. Check the vertical vial (3). The bubble should be between the two etched lines on the vial. If it is not, the surface is not vertical.

CHAPTER 11 PLUMB BOBS

11.1 HOW TO CHOOSE AND USE PLUMB BOBS.

Types and Uses, Paragraph 11.2, provides you with a list of the more common types of plumb bobs. These pages should help you select the right plumb bob for the job. Using a Plumb Bob, Paragraph 11.3, tells you how to use a steel plumb bob to establish the true vertical of a square post. By becoming familiar with this procedure you will build a good background for using other plumb bobs. Care of Plumb Bobs, Paragraph 11.4, tells you how to keep your plumb bobs in proper condition.

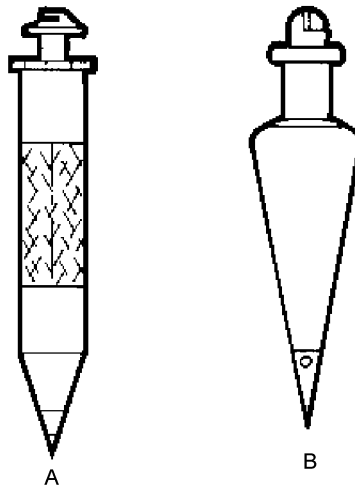


TO-32-1-101-083

11.2 PLUMB BOBS TYPES AND USES.

11.2.1 Plumb Bobs. A plumb bob is a precision instrument used to establish a true vertical transfer and line-up reference point, and to take readings or soundings in tanks and voids. Plumb bobs are used by carpenters, surveyors and maintenance technicians.

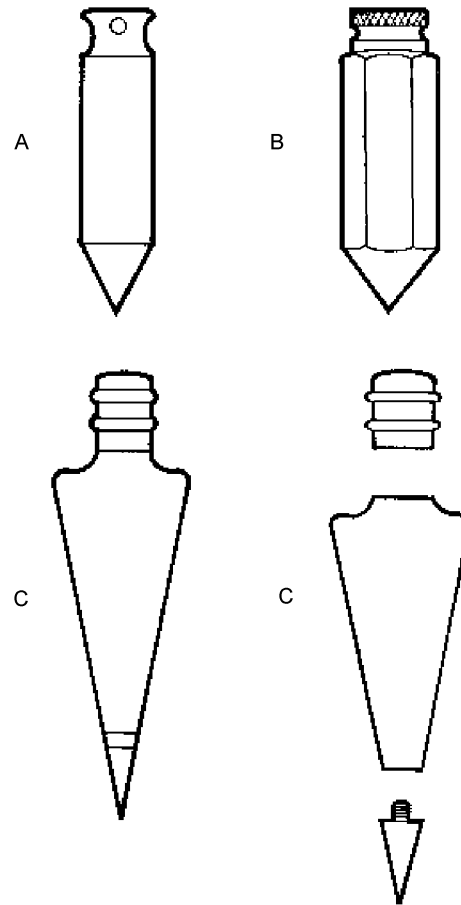
11.2.2 Surveyor's Polished Brass.



TO-32-1-101-084

The surveyor's brass plumb bob may be either a spool type (A) or an adjustable cap type (B). Both types have replaceable steel points for increased accuracy. The adjustable cap allows the operator to make minor corrections to height and rotation to make sure the bob hangs straight. The surveyor's brass plumb bob comes with a minimum of 7 feet of nylon, silk or linen cord. It comes in 6, 8, 10, and 16 ounce sizes. The heavier plumb bobs are better for use in windy areas.

11.2.3 Solid Steel.



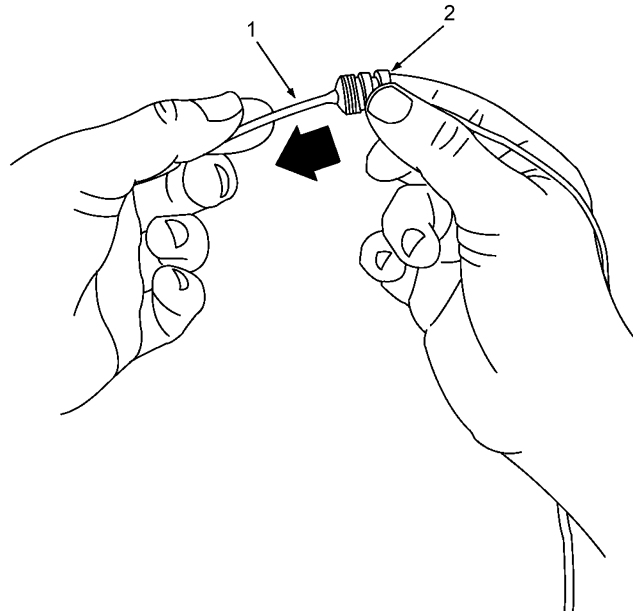
TO-32-1-101-085

The solid steel plumb bob (A) may have a machined integral head, body, and point. It may have just a removable head (B), or a removable head and a replaceable point (C). It may be round or hexagonal in shape and it comes in 3, 8, and 12 ounce sizes. Cord for the solid steel bobs must be obtained from a separate source. This type plumb bob is used when extreme accuracy is not required.

11.3 USING A PLUMB BOB.

NOTE

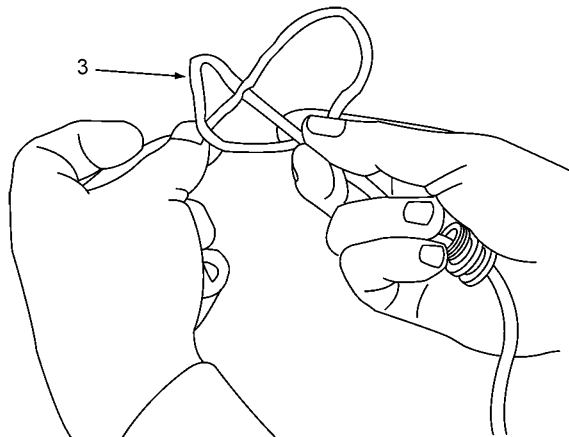
The practice procedure which follows (for establishing the true vertical of a post) uses a plumb bob with a removable head.



TO-32-1-101-086

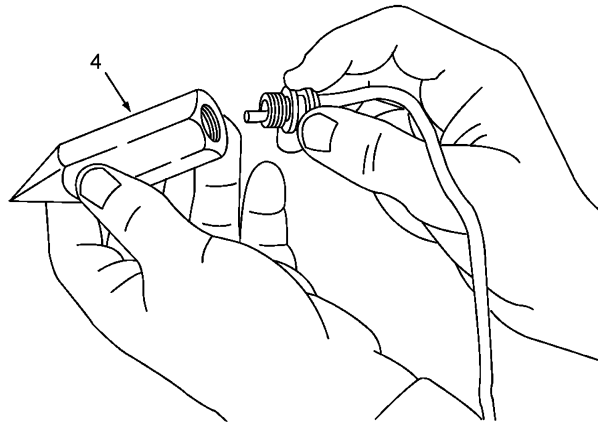
The first step is to attach the cord as follows:

- a. Insert a string or cord (1) into the cap (2) of the plumb bob. Make sure the cord will support the plumb bob. Pull the cord through the cap.



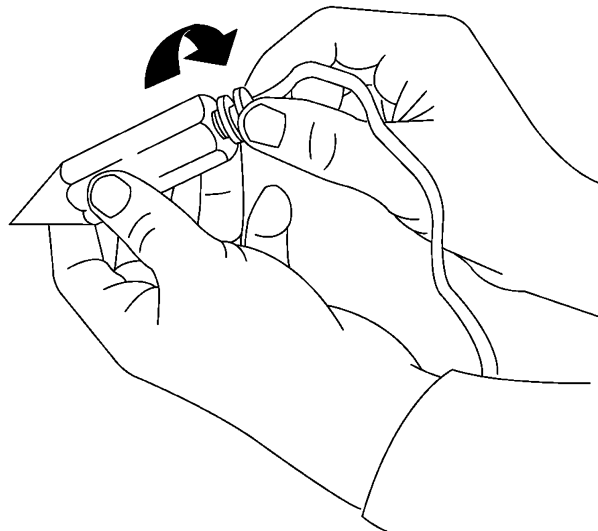
TO-32-1-101-087

- b. Place cap in the palm of your hand and tie an overhand knot (3) in the cord. Pull the cord drawing the knot against cap base. Make sure the knot is not too large or tied at an angle which would affect the hanging of the plumb bob.



TO-32-1-101-088

- c. Install cap into plumb bob body (4).

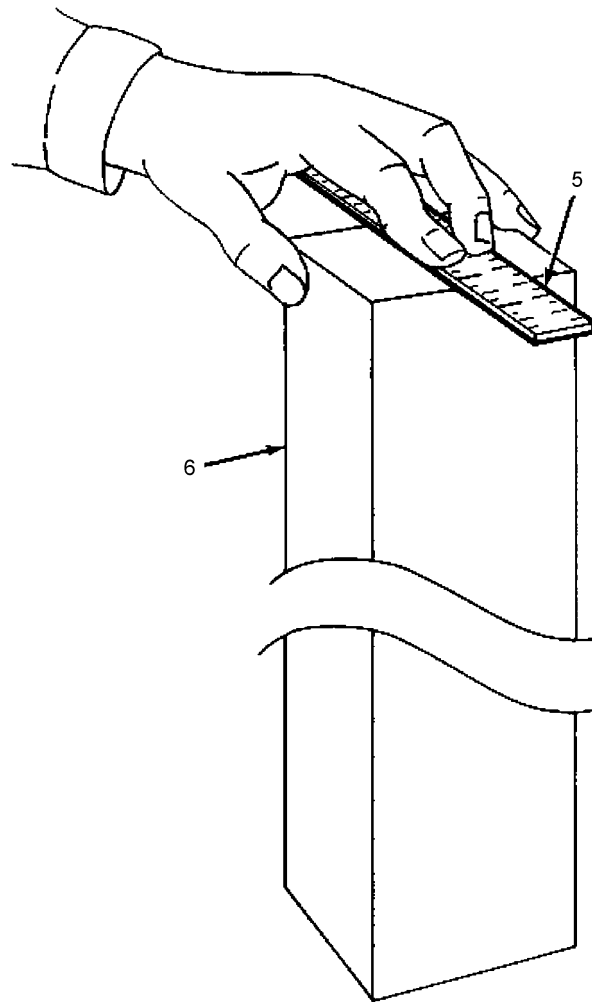


TO-32-1-101-089

- d. Tighten cap securely in the body and suspend the plumb bob by the cord only. Make sure the knot will support the plumb bob.

NOTE

- The following task is not the only use of a plumb bob.
- Post hole must be dug and an assistant is required before starting the task.

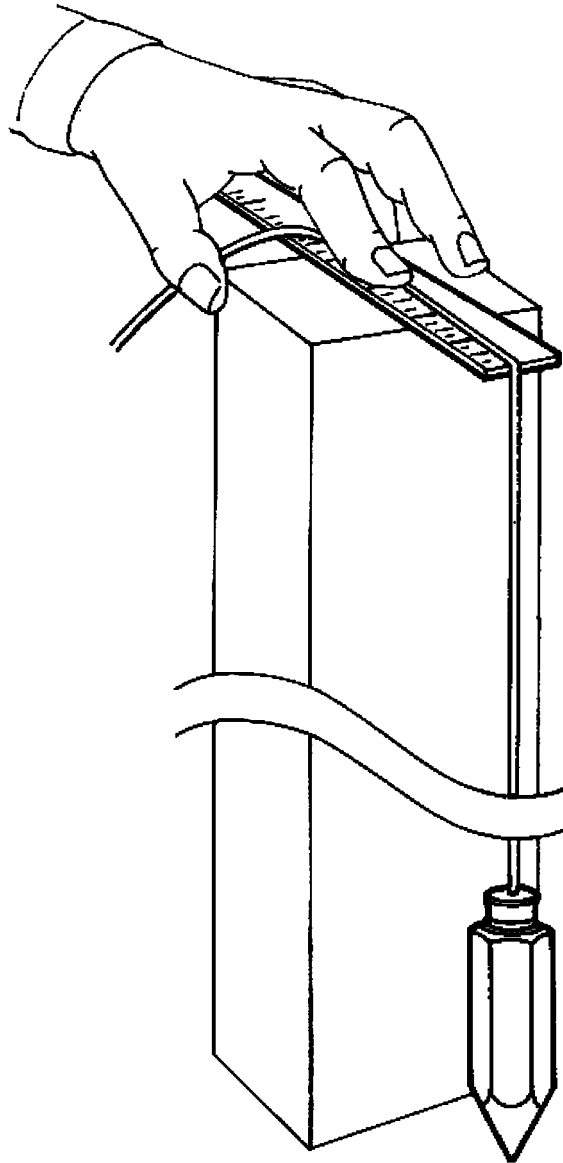


TO-32-1-101-090

- e. Place a ruler (5) on the top of the post (6) so that it extends 2 inches beyond an edge.

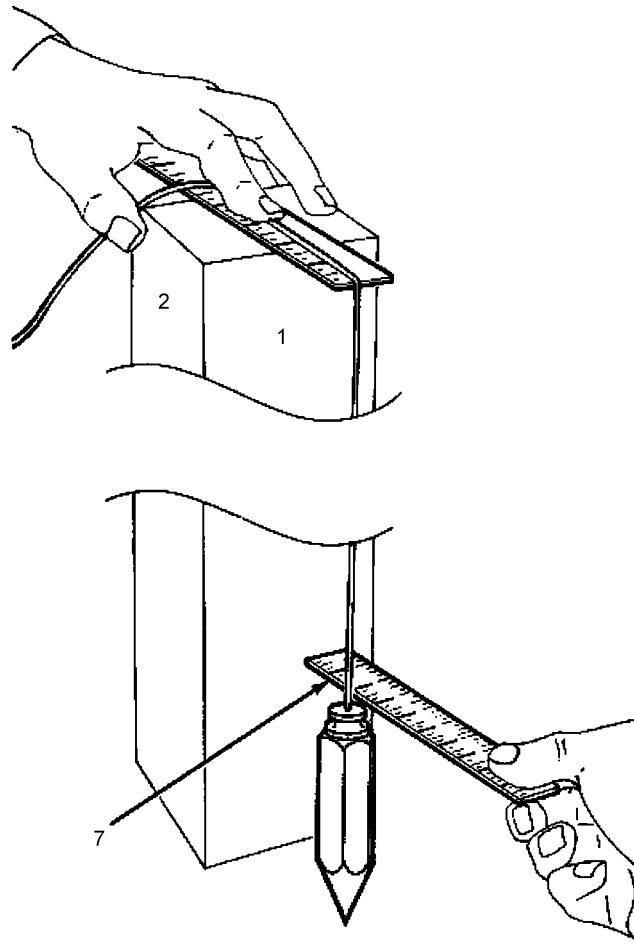
AIR FORCE AIR FORCE TO 32-1-101
ARMY ARMY TM 9-243
MARINE CORPS MARINE CORP TM 10209-10/1
NAVY (NAVAIR) NAVY M6290-AJ-MAN-1010

f. Hang string and plumb bob so they extend over end of ruler and the plumb bob is just above the ground surface.

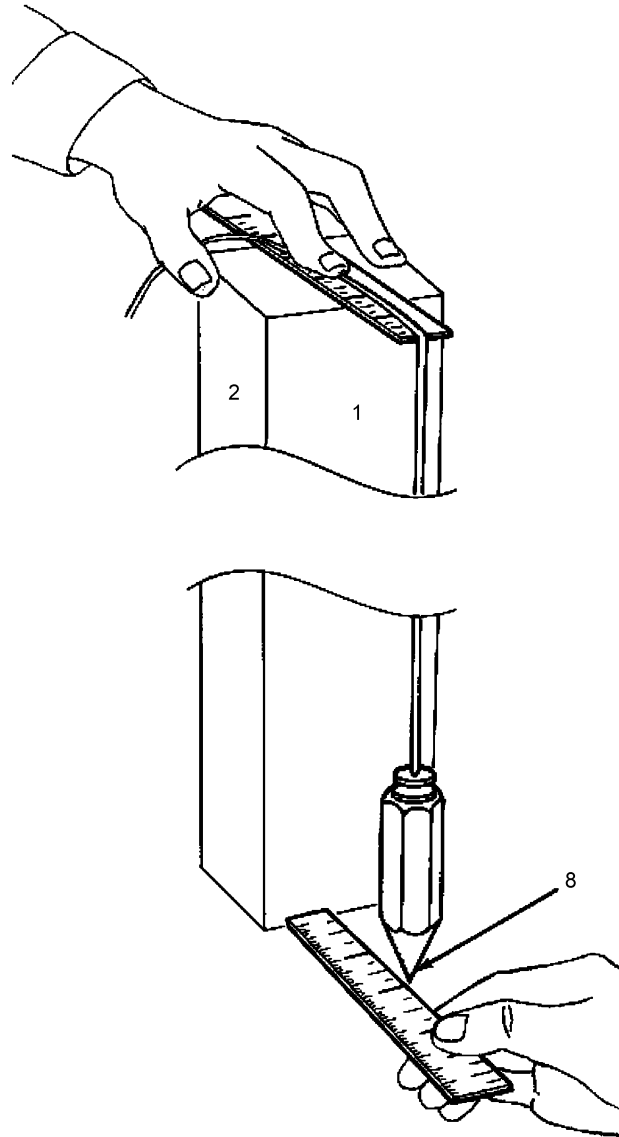


TO-32-1-101-091

- g. Have the assistant measure distance (7) from post to string just above the plumb bob. It should read 2 inches. If it doesn't, move the base or the top of the post right or left until you get a 2 inch reading on both rules.



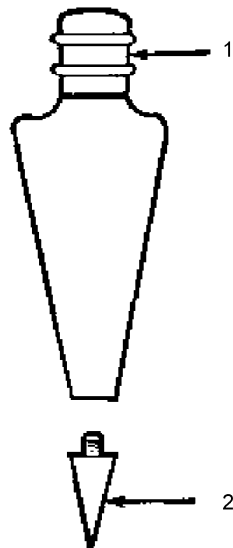
TO-32-1-101-092



TO-32-1-101-093

When extreme accuracy is desired, measurement would be taken to the point of the plumb bob (8). Repeat Step e, Step f, and Step g on side 2.

11.4 CARE OF PLUMB BOBS.



TO-32-1-101-094

- a. Handle plumb bobs with care. Do not use a plumb bob as a hammer or lever. As needed, lightly coat plumb bobs with lubricating oil for short periods of storage. As needed for long-term storage, apply a heavy coat of oil and wrap the plumb bob in oil-soaked paper.
- b. Store plumb bobs in a protective box in a dry place. As needed, make certain threads of removable caps (1) and points (2) are lightly coated with lubricant and placed in a protective box.

CHAPTER 12 SCRIBERS

12.1 HOW TO CHOOSE AND USE SCRIBERS.

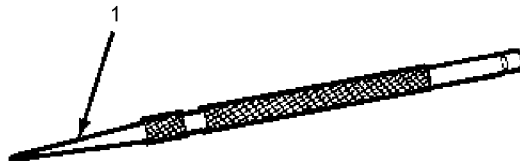
Types and Uses, Paragraph 12.2, provides you with a list of the types of scribers. These pages should help you select the right scriber for the job. Using a Mechanist's Scriber, Paragraph 12.3, tells you how to use the scriber to scribe an orientation mark. Care of Scribers, Paragraph 12.4, tells you how to care for the scribers.



TO-32-1-101-095

12.2 SCRIBERS TYPES AND USES.

12.2.1 Machinist's Scribers.



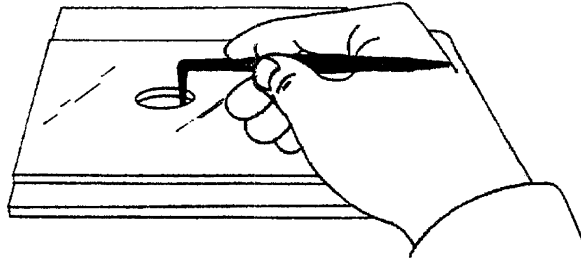
TO-32-1-101-096

The machinist's scriber is used to mark or score on steel, glass, aluminum, copper or similar surfaces. There are two basic types of machinist's scribers, single point pocket (1), and bent point-straight point (2).



TO-32-1-101-097

Tungsten carbide tips have extremely hard points and are used on hardened steel or glass.



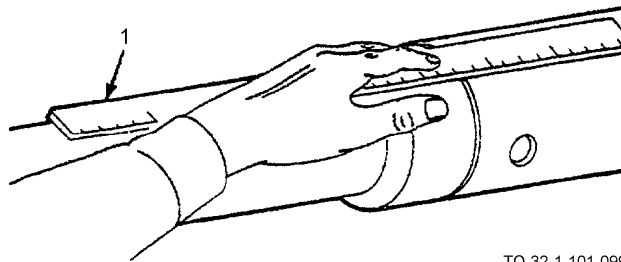
TO-32-1-101-098

The bent point is used to scribe through holes or other hard to reach places.

12.3 USING A MACHINIST'S SCRIBER.

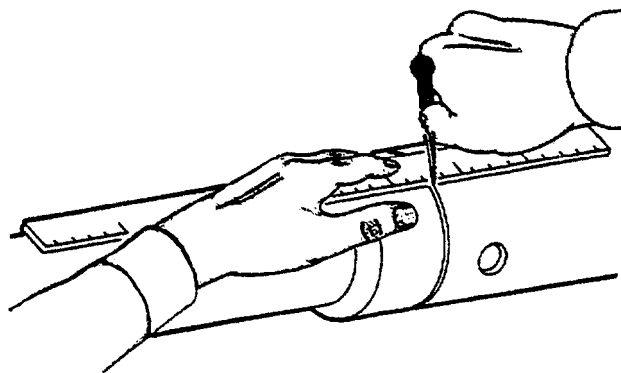
NOTE

The following procedure for scribing an alignment mark on a telescope is not the only use of a scribe.



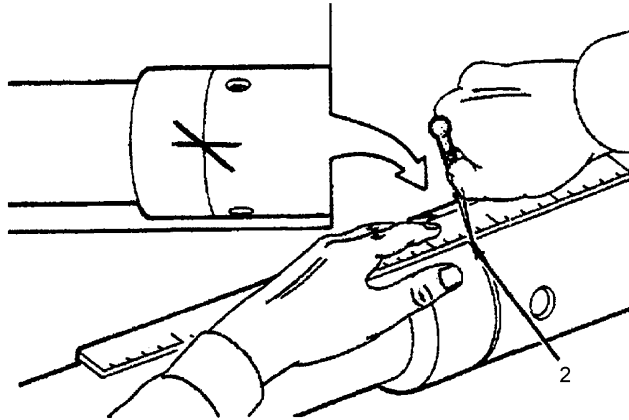
TO-32-1-101-099

- a. Place material to be marked on a firm surface. Place a steel rule or straight edge (1) on the work beside the line to be scribed.



TO-32-1-101-100

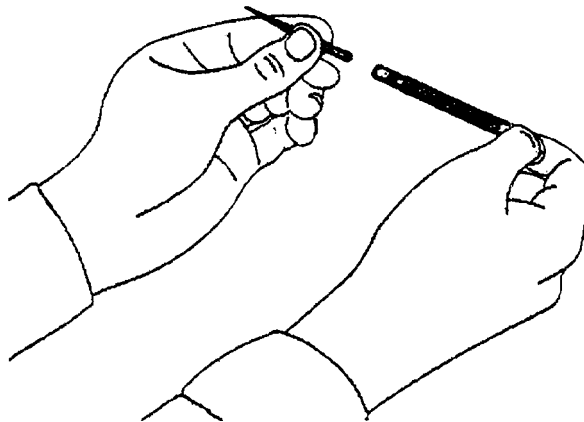
- b. Use finger tips of one hand to hold the straight edge securely. Hold the scriber in your hand as you would a pencil.



TO-32-1-101-101

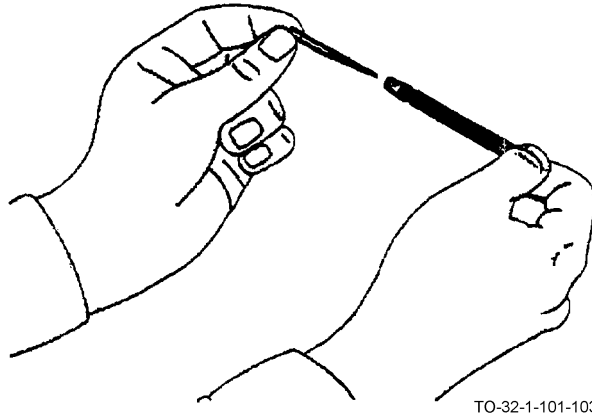
- c. Scribe the line by drawing the scriber (2) along the straight edge at a 45 degree angle and tipped in the direction it is being moved.

12.4 CARE OF SCRIBERS.



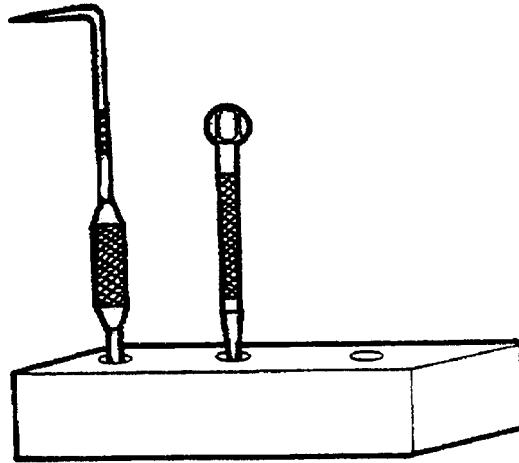
TO-32-1-101-102

AIR FORCE AIR FORCE TO 32-1-101
ARMY ARMY TM 9-243
MARINE CORPS MARINE CORP TM 10209-10/1
NAVY (NAVAIR) NAVY M6290-AJ-MAN-1010



TO-32-1-101-103

- a. Protect points by reversing them in the handle or placing a cork or a piece of soft wood over point. (Optional if tool is secured with foam inlay).
- b. As needed, keep the scribers clean and lightly oiled.



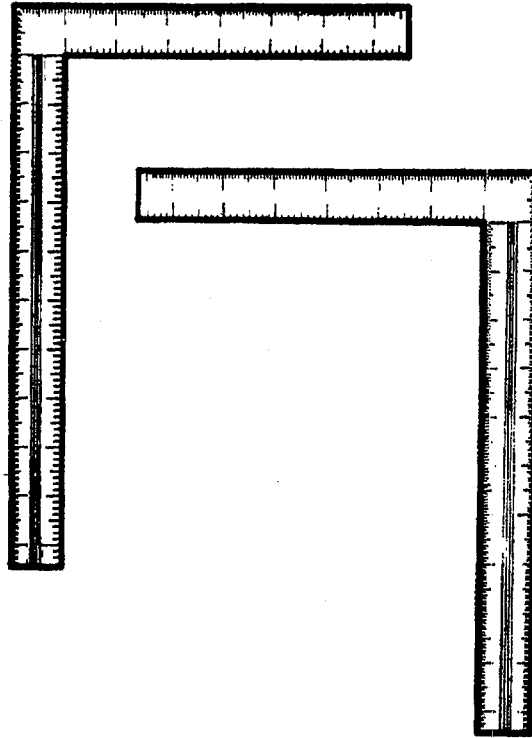
TO-32-1-101-104

- c. Stow on a rack or in a box.
- d. Do not use scribers for other than intended purposes.

CHAPTER 13 SQUARES

13.1 HOW TO CHOOSE AND USE SQUARES.

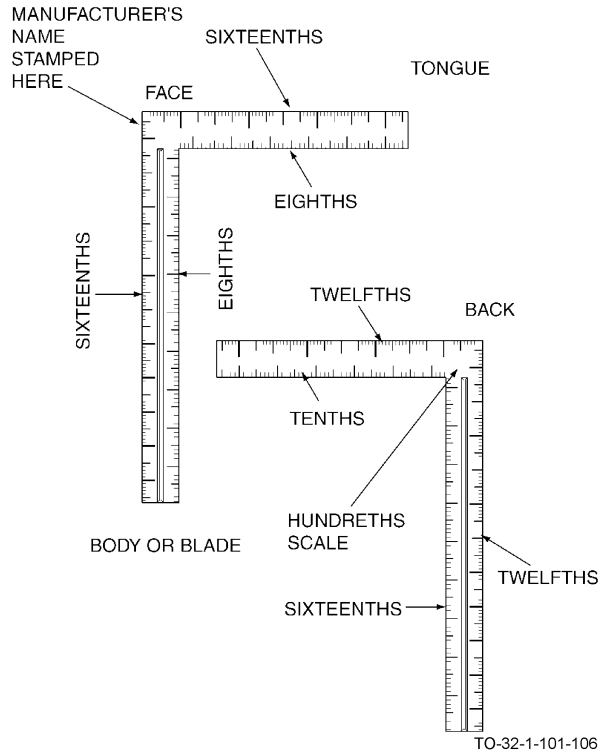
Types and Uses, Paragraph 13.2, provides you with a list of the types of squares. These pages should help you select the right square for the job. Using Squares, Paragraph 13.3, tells you how to use a square to perform its various functions. Care of Squares, Paragraph 13.8, tells you how to care for squares.



TO-32-1-101-105

13.2 SQUARES TYPES AND USES.

13.2.1 Carpenter's Square.



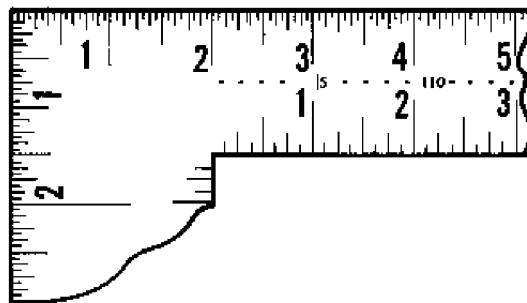
TO-32-1-101-106

The carpenter's square is made up of two parts: the body or blade, and the tongue. It has inches divided into eighths, tenths, twelfths, and sixteenths. The face side contains the manufacturer's name and the inches are divided into eighths and sixteenths as shown. There are two tables down the center.



TO-32-1-101-107

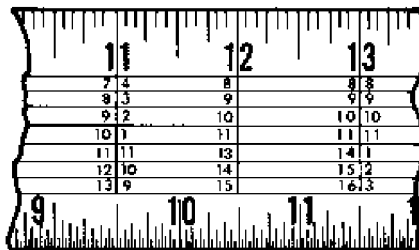
The rafter table is used for determining the length and cut of rafters.



TO-32-1-101-108

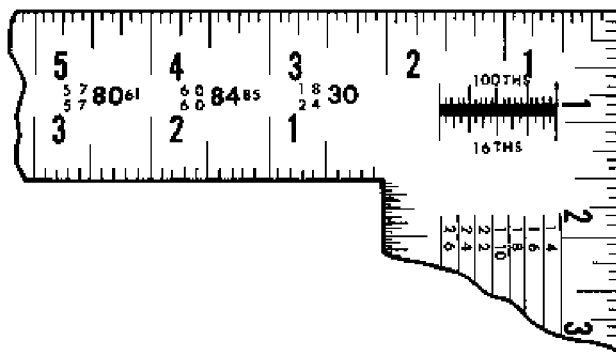
The octagon or eight square scale is used for cutting an octagon from a square piece of material. The back side contains

the hundredths scale and is divided into tenths, twelfths, and sixteenths as shown. There are two tables down the center.



TO-32-1-101-109

The essex board measure is used to compute the number of board feet in a given piece of lumber.

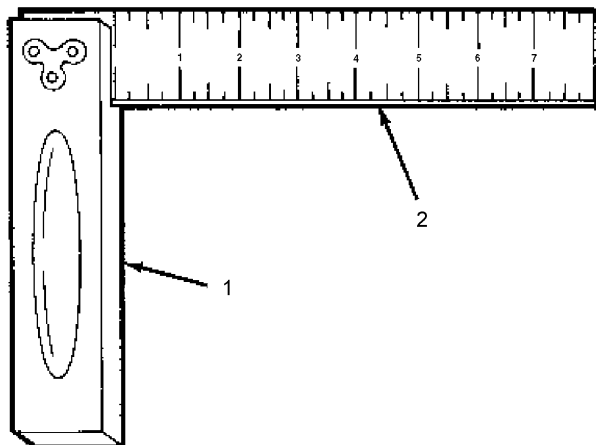


TO-32-1-101-110

The brace measure is used to find the exact lengths of common braces. The following scales or inch divisions are found on the carpenter's square:

Face of body	outside edge	inches and sixteenths
Face of body	inside edge	inches and eighths
Face of tongue	outside edge	inches and sixteenths
Face of tongue	inside edge	inches and eighths
Back of body	outside edge	inches and twelfths
Back of body	inside edge	inches and sixteenths
Back of tongue	outside edge	inches and twelfths
Back of tongue	inside edge	inches and tenths

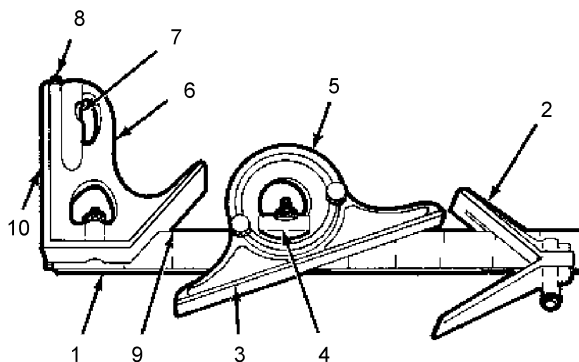
13.2.2 Try Square.



TO-32-1-101-111

The try square is made of a steel or wood stock (1) and a blade (2). The blade is from 2 to 12 inches long and is graduated in eighths. The try square is used to set or check lines which are at right angles (90 degrees) to each other.

13.2.3 Combination Square.

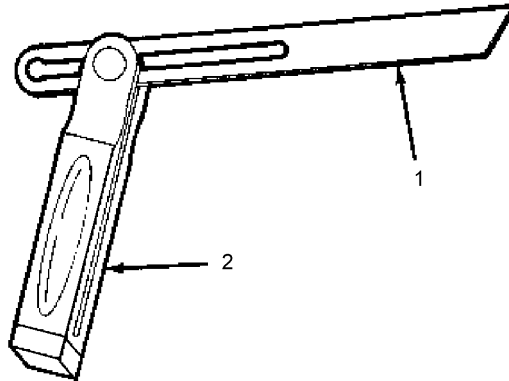


TO-32-1-101-112

The combination square is made up of the following components:

- A slotted 12 inch stainless steel rule (1) which is graduated in eighths, sixteenths, thirty-seconds and sixty-fourths of an inch. It can be used as a measuring scale by itself or with any one of the following components.
- The center head (2), when attached to the rule, bisects a 90 degree angle. It's used for determining the center of cylindrical work.
- The protractor (3) has a level (4) and a revolving turret (5) which is graduated in degrees from 0 to 180 or 0 to 90 in either direction. It is used to lay out and measure angles to within one degree.
- The square head (6) has a level (7), a scribe (8), and 45 degree (9) and 90 degree sides (10). It is used to lay out 45 and 90 degree angles and to check level. It may also be used as a height or depth gage.

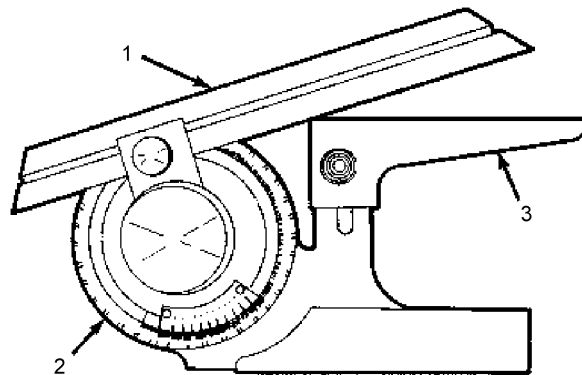
13.2.4 Sliding T-Bevel.



TO-32-1-101-113

The sliding T-bevel is made up of a slotted blade (1) and a solid stock (2). The blade is adjustable so it can be set to measure any angle. The T-bevel is used for testing bevels and laying out angles.

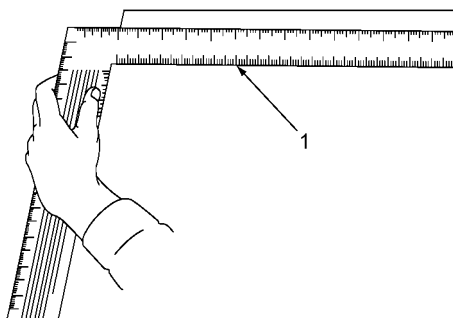
13.2.5 Bevel Protractor.



TO-32-1-101-114

The bevel protractor is made up of an adjustable blade (1) and a graduated dial (2) which contains a vernier scale. The bevel protractor is used to establish an angle and determine its relationship to other surfaces. The acute angle attachment (3) is used for measuring acute angles accurately.

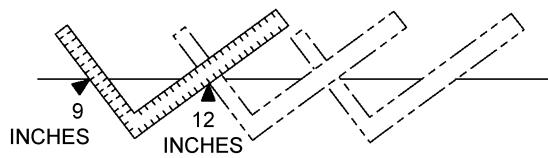
13.3 USING A CARPENTER'S SQUARE TO MARK A SQUARE LINE.



TO-32-1-101-115

- a. To mark a square line, place the blade or tongue (1) of the square against the side of the material with the square tilted slightly so the blade or tongue of the square extends across the work.
- b. Mark a line across the work using a pencil or marking crayon.

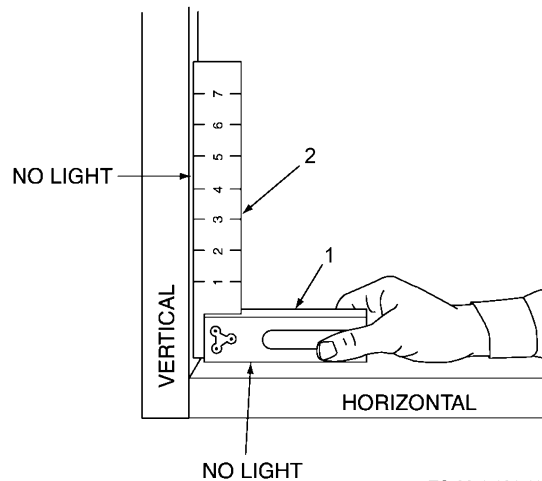
13.4 USING A CARPENTER'S SQUARE TO LAY OUT STEPS.



TO-32-1-101-116

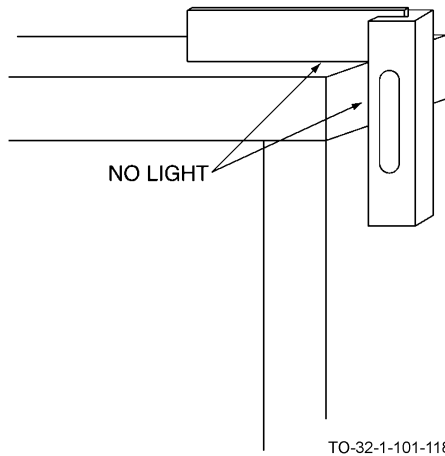
- a. The preceding example shows proper square position when marking cut lines for a series of steps 9 inches x 12 inches.
- b. Continue the process until desired number of steps has been laid out.

13.5 USING A TRY SQUARE.



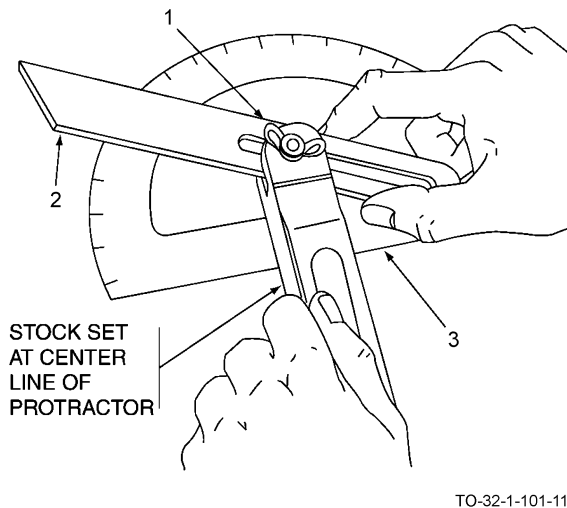
TO-32-1-101-117

- a. To check a square joint, place the stock (1) against a horizontal section and the blade (2) against a vertical section. Light must not be seen around blade edge. If light is seen, the work is not square.

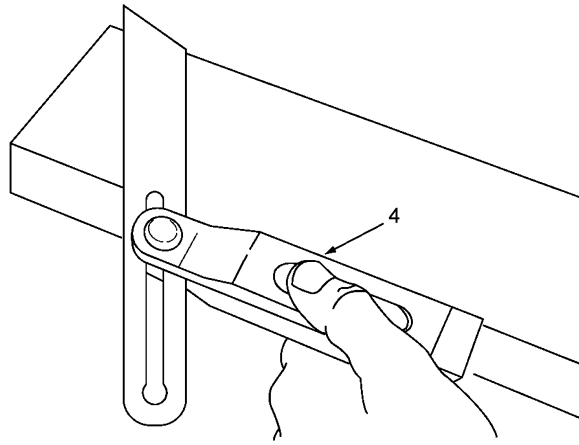


- b. To check the end of a board, place stock on vertical edge and extend blade over the end. Light must not be seen around blade edge. If light is seen, the work is not square.

13.6 USING A SLIDING T-BEVEL SQUARE.

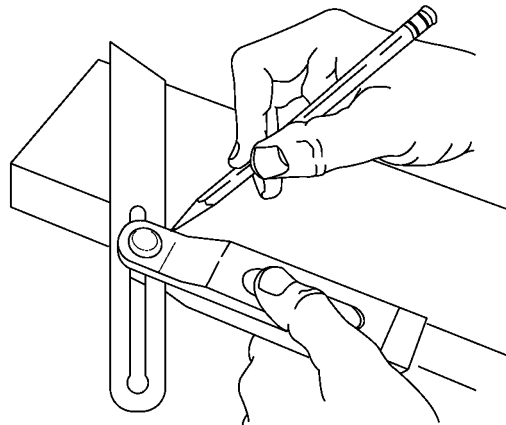


- a. Loosen locking nut (1) and adjust blade (2) to measure a desired angle using protractor (3). Tighten locking nut (1).



TO-32-1-101-120

- b. The angle may now be laid out by extending the blade across the board with the stock (4) held firmly against the edge.

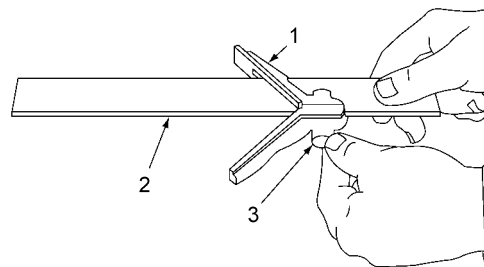


TO-32-1-101-121

- c. Mark with a pencil or marking crayon. Make sure the square does not move while marking.

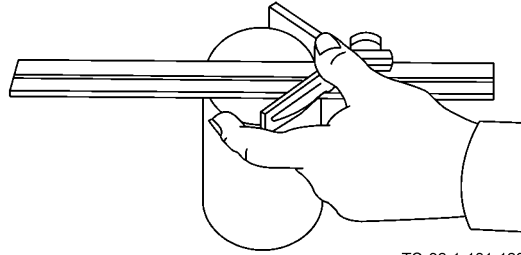
13.7 USING A COMBINATION SQUARE.

13.7.1 Using as a Center Head to Find the Diameter of a Cylinder.



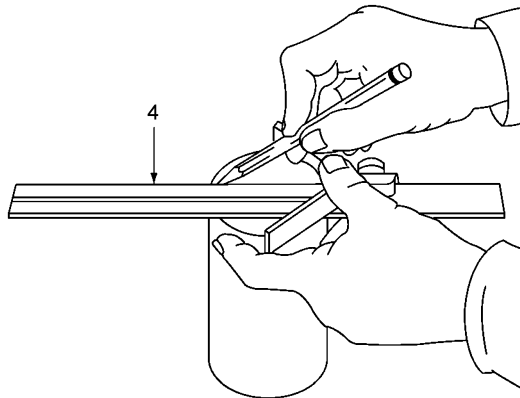
TO-32-1-101-122

- a. Slide center head (1) on rule (2) and fasten by tightening setscrew (3).



TO-32-1-101-123

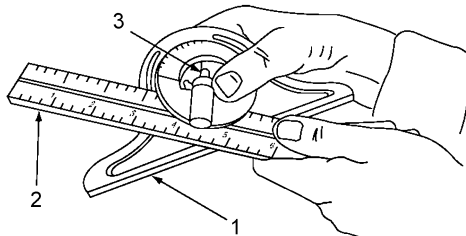
- b. Put the center head flush against the cylinder.



TO-32-1-101-124

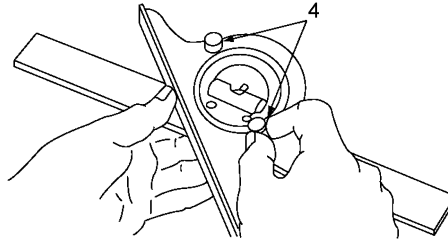
- c. Mark the diameter on the cylinder using a pencil or marking crayon by drawing a straight line along the inside edge (4). Make sure the square does not slip while marking.

13.7.2 Using as a Protractor Head to Determine an Angle.



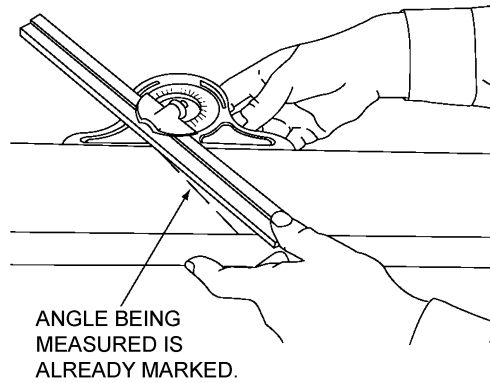
TO-32-1-101-125

- a. Slide protractor head (1) on rule (2) and fasten by tightening setscrew (3).



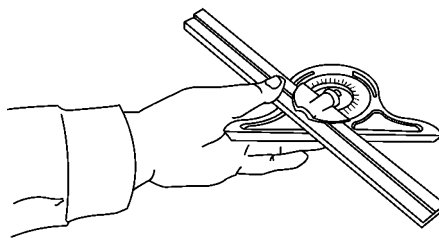
TO-32-1-101-126

- b. Loosen the protractor adjustment screws (4) so the protractor may be pivoted about the rule. Angle being measured is already marked.



TO-32-1-101-127

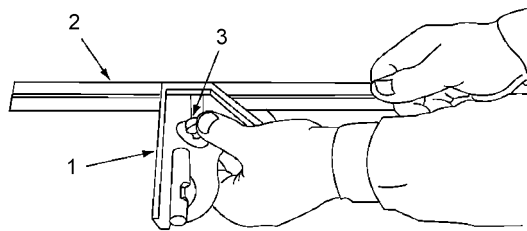
- c. Place the rule on the angle being measured and pivot the protractor head against the edge. Tighten adjustment screws.



TO-32-1-101-128

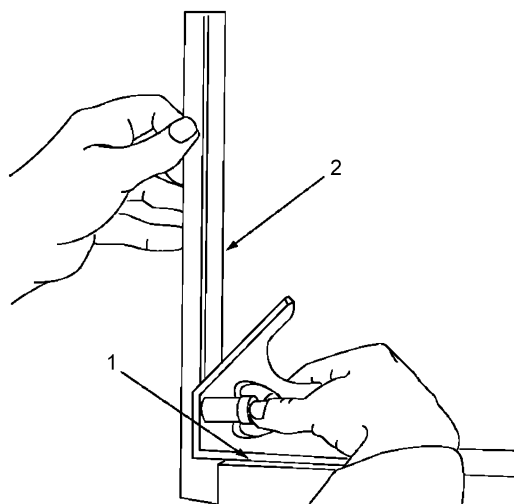
- d. Remove and read measured angle on protractor scale.

13.7.3 Using a Combination Square to Determine Depth.



TO-32-1-101-129

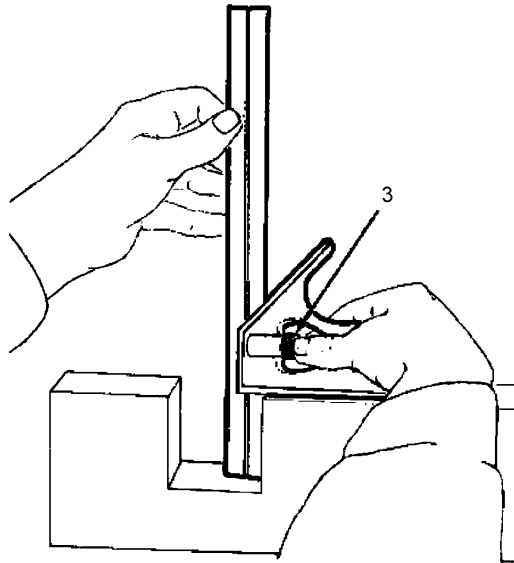
- a. Slide square head (1) on rule (2) and fasten by tightening setscrew (3).
- b. Loosen setscrew.



TO-32-1-101-130

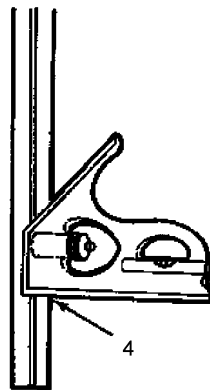
AIR FORCE AIR FORCE TO 32-1-101
ARMY ARMY TM 9-243
MARINE CORPS MARINE CORP TM 10209-10/1
NAVY (NAVAIR) NAVY M6290-AJ-MAN-1010

c. Set the flat surface of the square head (1) above the hole and adjust the rule (2) until it hits the bottom.



TO-32-1-101-131

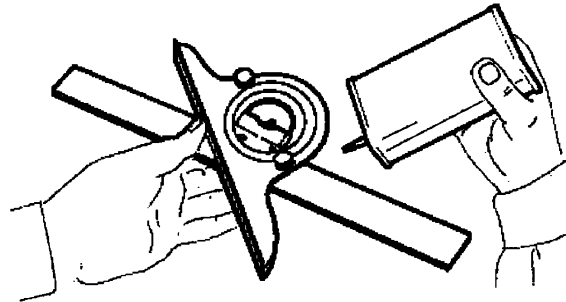
d. Tighten setscrew (3).



TO-32-1-101-132

e. Remove the combination square and read the depth at the intersection of the rule and the square head (4).

13.8 CARE OF SQUARES.



TO-32-1-101-133

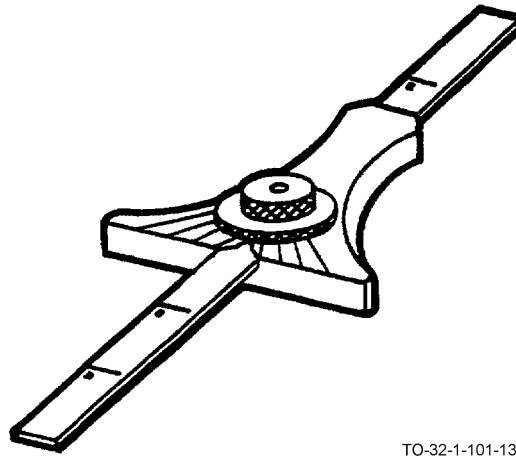
- a. Make sure squares are kept clean.
- b. As needed, apply a light coat of oil to all metal surfaces after using.
- c. A square with a loose stock is no good. Replace the square.

CHAPTER 14

SURFACE, DEPTH, AND HEIGHT GAGES

14.1 HOW TO CHOOSE AND USE SURFACE, DEPTH, AND HEIGHT GAGES.

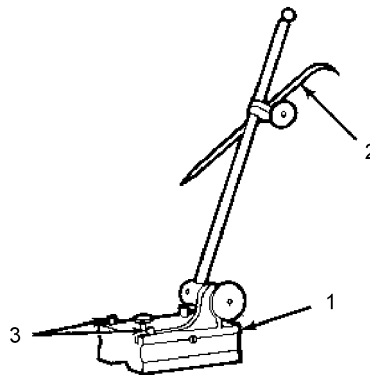
Types and Uses, Paragraph 14.2, provides you with a list of the types of gages. These pages should help you select the right gage for the job. Using the Surface, Depth, and Height Gages, Paragraph 14.3, tells you how to use the gages for their intended purposes. Care of Surface, Height, and Depth Gages, Paragraph 14.4, tells you how to keep your gages in good condition.



TO-32-1-101-134

14.2 SURFACE, DEPTH, AND HEIGHT GAGES TYPES AND USES.

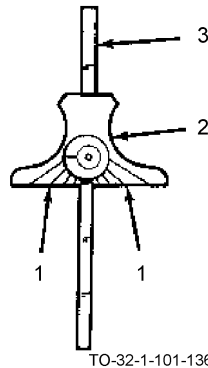
14.2.1 Surface Gage.



TO-32-1-101-135

A surface gage is a measuring tool used to transfer measurements to work by scribing a line, and to indicate the accuracy or parallelism of surfaces. The surface gage consists of a base with an adjustable spindle (1) to which may be clamped a scribe or an indicator (2). Surface gages are made in several sizes and are classified by the length of the spindle. The smallest spindle is 4 inches long, the average 9 to 12 inches, and the largest 18 inches. The scribe is fastened to the spindle with a clamp. The bottom and the front end of the base of the surface gage have deep V-grooves. The grooves allow the gage to measure from a cylindrical surface. The base has two gage pins (3). They are used against the edge of a surface plate or slot to prevent movement or slippage.

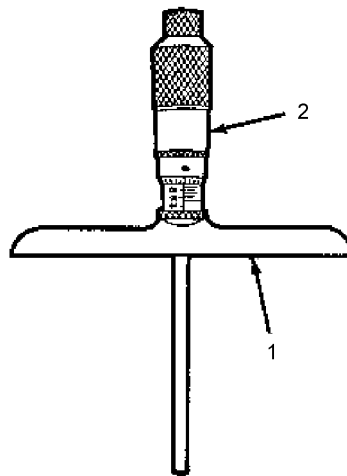
14.2.2 Rule Depth Gage.



TO-32-1-101-136

A rule depth gage measures the depth of holes, slots, counterbores, and recesses. Some rule depth gages, such as the one shown above, can also be used to measure angles. This is done by using the angle marks (1) located on the sliding head (2). The rule depth gage is a graduated rule (3) with a sliding head (2) designed to bridge a hole or slot. The gage holds the rule at a right angle to the surface when taking measurements. This type has a measuring range of 0 to 5 inches. The sliding head has a clamping screw so that it may be clamped in any position. The sliding head is flat and perpendicular to the axis of the rule. It ranges in size from 2 to 2-5/8 inches wide and from 1/8 to 1/4 inch thick.

14.2.3 Micrometer Depth Gage.



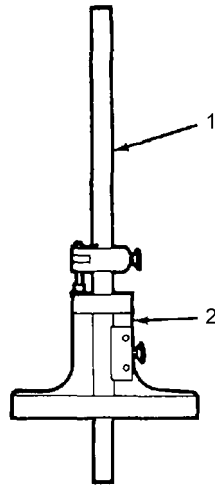
TO-32-1-101-137

The micrometer depth gage consists of a flat base (1) that is attached to the barrel of a micrometer head (2). These gages have a range from 0 to 9 inches, depending on the length of extension rod used. The hollow micrometer screw has a 1/2 or 1 inch range. Some are provided with a ratchet stop. The flat base ranges in size from 2 to 6 inches. Several extension rods are supplied with this type gage.

NOTE

For additional information on micrometers, see Chapter 7 in this manual.

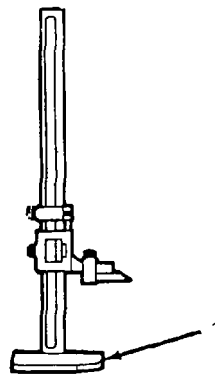
14.2.4 Vernier Depth Gage.



TO-32-1-101-138

The vernier depth gage consists of a graduated scale (1) either 6 or 12 inches long. It also has a sliding head (2) similar to the one on the vernier caliper. (See Chapter 6, Using Vernier Caliper.) The sliding head is designed to bridge holes and slots. The vernier depth gage has the range of the rule depth gage. It does not have quite the accuracy of a micrometer depth gage. It cannot enter holes less than 1/4 inch in diameter. However, it will enter a 1/32 inch slot. The vernier scale is adjustable and may be adjusted to compensate for wear.

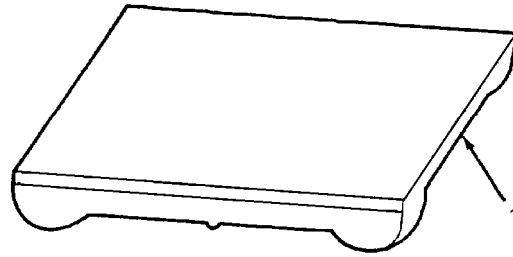
14.2.5 Height Gage.



TO-32-1-101-139

A height gage is used in the layout of jigs and fixtures. On a bench, it is used to check the location of holes and surfaces. It accurately measures and marks off vertical distances from a plane surface. The vernier height gage is a caliper with a special base (1) to adapt it for use on a surface plate. Height gages are available in several sizes. Most common are the 10, 18, and 24 inch gages in English measure. The most common metric gages are the 25 and 46 centimeter sizes. Height gages are classified by the dimension they will measure above the surface plate like the vernier caliper (See Chapter 6, Reading a Vernier Caliper), height gages are graduated in divisions of 0.025 inch. Its vernier scale is divided into 25 units for reading thousandths of an inch.

14.2.6 Surface Plate.



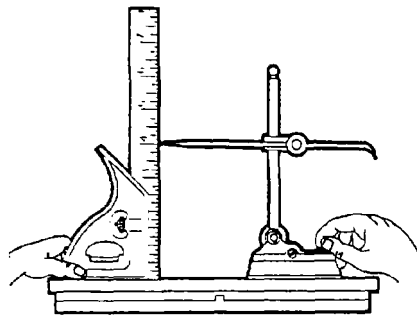
TO-32-1-101-140

A surface plate provides a true, smooth, plane surface. It is often used as a level base for surface and height gages from which to make accurate measurements. Surface plates are usually made of close grained cast iron (1), are rectangular in shape, and come in a variety of sizes.

14.3 USING THE SURFACE, DEPTH, AND HEIGHT GAGES.

Below are examples of how each of the gages mentioned in this chapter can be used.

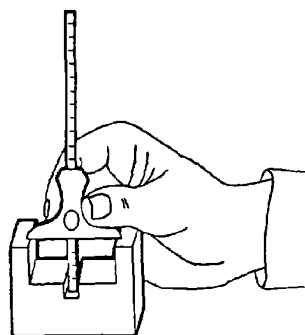
14.3.1 Using a Surface Gage.



TO-32-1-101-141

Setting gage for transfer of 4 inch vertical measurement.

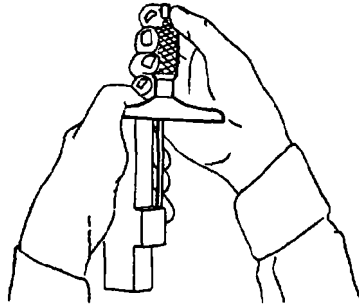
14.3.2 Using a Rule Depth Gage.



TO-32-1-101-142

Measuring the distance from a surface to a recessed point.

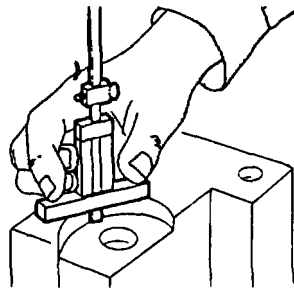
14.3.3 Using a Micrometer Depth Gage.



TO-32-1-101-143

Measuring projection depth with micrometer precision.

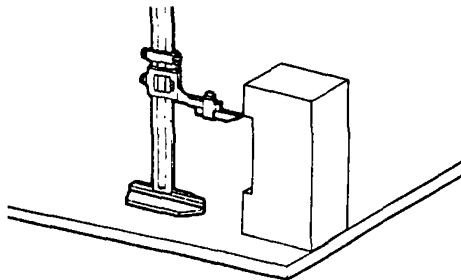
14.3.4 Using a Vernier Depth Gage.



TO-32-1-101-144

Measuring hole depth of die from a given surface.

14.3.5 Using a Height Gage.



TO-32-1-101-145

Measuring vertical distance from a plane surface.

14.4 CARE OF SURFACE, HEIGHT, AND DEPTH GAGES.

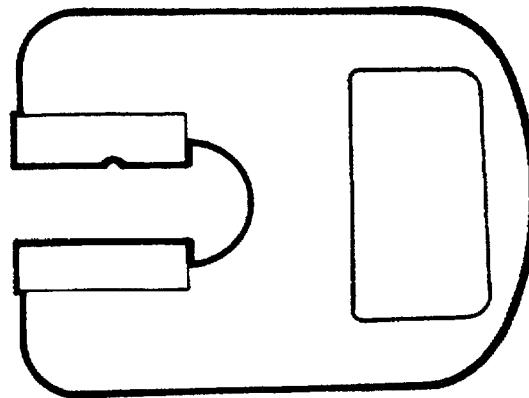
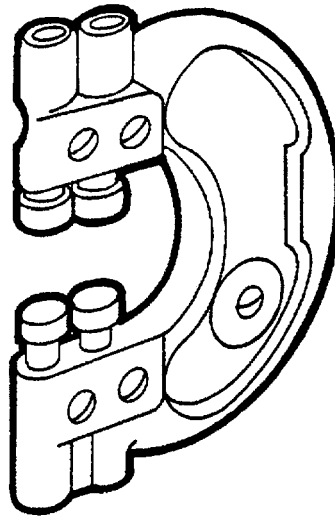
- As needed, coat all metal parts of gages with a light coat of oil to prevent rust.
- Carefully store gages when not in use. Use separate containers if provided by manufacturer.
- Keep graduations and markings clean and legible.
- Do not drop any gage. Small nicks, scratches, and distortions can cause inaccurate measurements.
- Protect all pointed gage parts from damage.

CHAPTER 15

RING AND SNAP GAGES AND GAGE BLOCKS

15.1 HOW TO CHOOSE AND USE RING AND SNAP GAGES AND GAGE BLOCKS.

Types and Uses, Paragraph 15.2, provides you with a list of the types of gages. These pages should help you select the right gage for the job. Using, Paragraph 15.3, tells you how to use the gages to make a measurement. Care, Paragraph 15.9, tells you how to care for the gages.

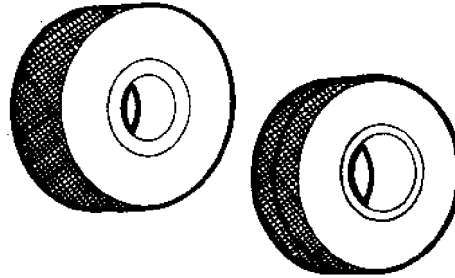


TO-32-1-101-146

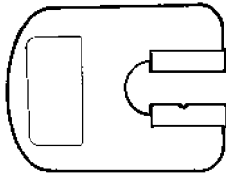
15.2 RING AND SNAP GAGES AND GAGE BLOCKS TYPES AND USES.

Ring and snap gages and precision gage blocks are used as standards to determine whether or not one or more dimensions of a manufactured part are within specified limits. Their measurements are included in the construction of each gage, and they are called fixed gages. However, some snap gages are adjustable. Gages are used for a wide range of work, from rough

machining to the finest tool and die making. The accuracy required of the same type of gage will be different, depending on the use.



RING GAGES

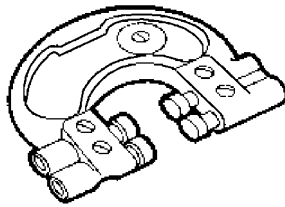


SNAP GAGE NONADJUSTABLE

TO-32-1-101-147

The following classes of gages and their limits of accuracy are standard for all makes:

- Class X - Precision lapped to close tolerances for many types of masters and the highest quality working and inspection gages.
- Class Y - Good lapped finish to slightly increased tolerances for inspection and working gages.
- Class Z - Commercial finish (ground and polished, but not fully lapped) for a large percentage of working gages in which tolerances are fairly wide, and where production quantities are not so large.
- Class ZZ - (Ring gages only). Ground only to meet the demand for an inexpensive gage, where quantities are small and tolerances liberal.



TO-32-1-101-148

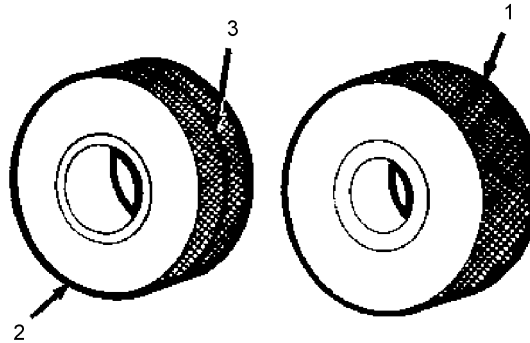
The table below lists the tolerances for ring gages in each class:

<u>Above</u>	<u>To and Includ- ing</u>	<u>X</u>	<u>Y</u>	<u>Z</u>	<u>Ring Gages ZZ</u>
0.029	0.825	0.00004	0.00007	0.00010	0.00020
0.825	1.510	0.00006	0.00009	0.00012	0.00024
1.510	2.510	0.00008	0.00012	0.00016	0.00032
2.510	4.510	0.00010	0.00015	0.00020	0.00040
4.510	6.510	0.00013	0.00019	0.00025	0.00050

6.510	9.010	0.00016	0.00024	0.00032	0.00064
9.010	12.010	0.00020	0.00030	0.00040	0.00080

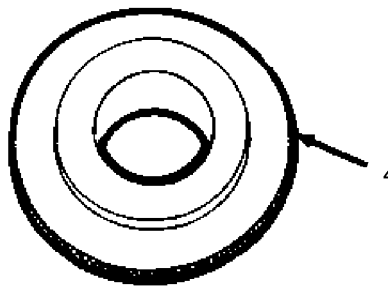
- X Precision lapped
- Y Lapped
- Z Ground or polished (grinding marks may be in evidence)
- ZZ Ground only

15.2.1 Ring Gages.



TO-32-1-101-149

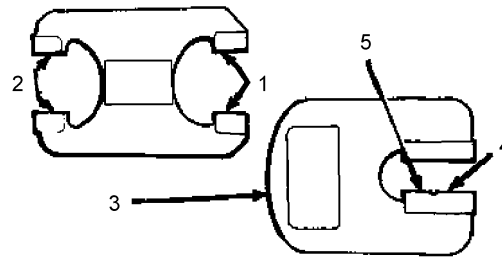
The plain ring gage is an external gage of circular form. For sizes between 0.059 and 0.510 inch, ring gages are made with a hardened bushing pressed into a soft body. The thickness of the gage will range from 3/16 to 1-5/16 inches. On ring gages, the GO gage (1) is larger than the NO GO gage (2). The GO and NO GO ring gages are separate units. They can be distinguished from each other by an annular groove (3) cut in the knurled outer surface of the NO GO gage. Ring gages made for diameters of 0.510 to 1.510 inches are the same as those shown above, except there is no bushing; they are made all in one piece. Ring gages, sized from 1.510 to 5.510 inches are made with a flange (4). This design reduces the weight, making the larger sizes easier to handle.



TO-32-1-101-150

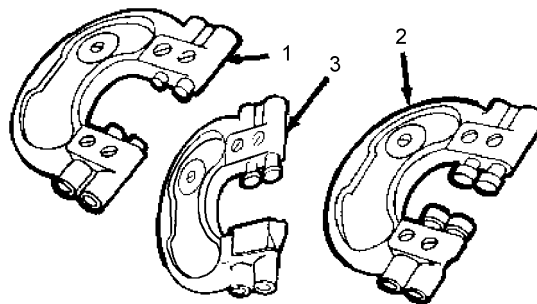
Ring gages are used more often in the inspection of finished parts than parts in process. The reason for this is that the finished parts are usually readily accessible; whereas, parts in a machine that are supported at both ends would have to be removed to be checked.

15.2.2 Snap Gages.



TO-32-1-101-151

The plain snap gage is made in two general types, the nonadjustable and adjustable. The nonadjustable type is a solid construction, having two gaging members, GO (1) and NO GO (2) as shown above. The part to be inspected is first tried on the GO side and then the gage is reversed and the part tried on the NO GO side. Some solid snap gages (3) have combined gaging members in the same set of jaws as shown above, known as a progressive snap gage. The outer member (4) gages the GO dimension and the inner member (5) the NO GO dimension.



TO-32-1-101-152

Three standard designs of the adjustable type are available, consisting of a light, rigid frame with adjustable gaging pins, buttons, or anvils. These pins or buttons may be securely locked in place after adjustment, and locking screws are tightened to hold the gaging dimensions. One type of adjustable snap gage is made in sizes that range from 1/2 to 12 inches (1). It is equipped with four gaging pins and is suitable for checking the dimension between surfaces. Another type is made in sizes that range from 1/2 to 11-1/4 inches (2). It is equipped with four gaging buttons and is suitable for checking flat or cylindrical work. The third type is made in sizes from 1/2 to 11-5/8 inches (3). It is equipped with two gaging buttons and a single block anvil, and is especially suitable for checking the diameters of shafts, pins, studs, and hubs.

15.2.3 Gage Blocks.

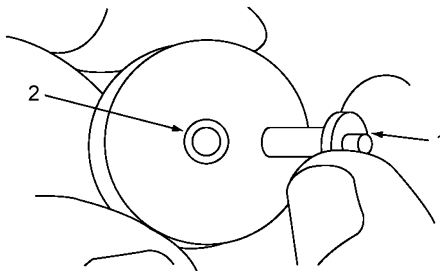


TO-32-1-101-153

Gage blocks are available in sets of from 5 to as many as 85 blocks of different dimensions. Precision gage blocks are made from a special alloy steel. They are hardened, ground, and then stabilized over a period of time to reduce subsequent waxing. They are rectangular in shape with measuring surfaces on opposite sides. The measuring surfaces are lapped and polished to an optically flat surface and the distance between them is the measuring dimension. This dimension may range from 0.010 inch up to 20 inches.

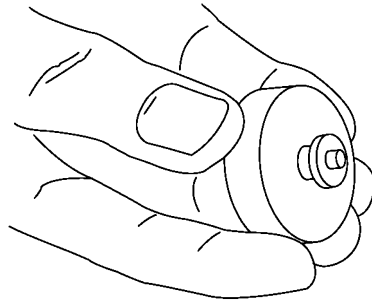
15.3 USING A RING GAGE.

To check the shank diameter of a pivot stud.



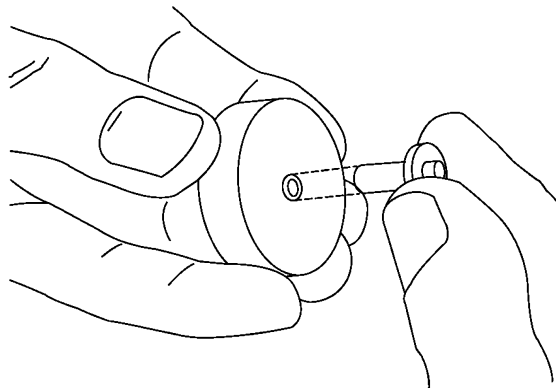
TO-32-1-101-154

- a. Line the stud (1) up with the hole (2) and press in gently. If the stud will not go in, the shank is too large. If it will go in, the stud is not oversize.



TO-32-1-101-155

- b. With the stud in the hole, check the piece for taper and out-of-roundness by sensing any wobble.



TO-32-1-101-156

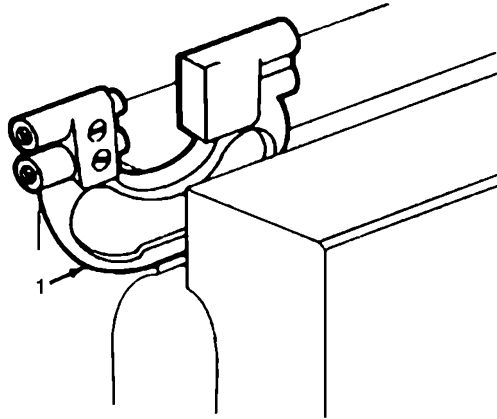
- c. After checking the part in the GO gage, check it in the NO GO gage. The stud must not enter this gage to establish it as being between the desired limits.

NOTE

The GO ring gage controls the maximum dimension of a part and NO GO plug gages control the minimum dimension of a hole. Therefore, GO gages control the tightness of fit of mating parts and NO GO gages control the looseness of fit of mating parts.

15.4 USING AN ADJUSTABLE SNAP GAGE.

Before an adjustable snap gage can be used to check parts, the GO and NO GO buttons, pins, or anvils must be set to the proper dimensions.

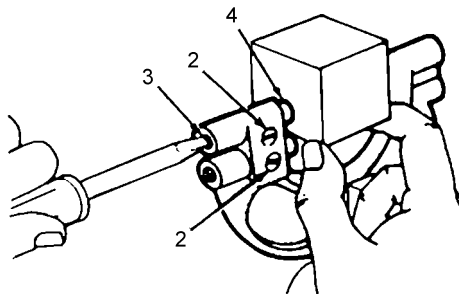


TO-32-1-101-157

- a. The snap (1) gage must first be clamped in a holder.

NOTE

Adjust the “GO” dimension first as shown in the illustration, or if desired, reverse the procedure and adjust the “NO GO” dimension first.

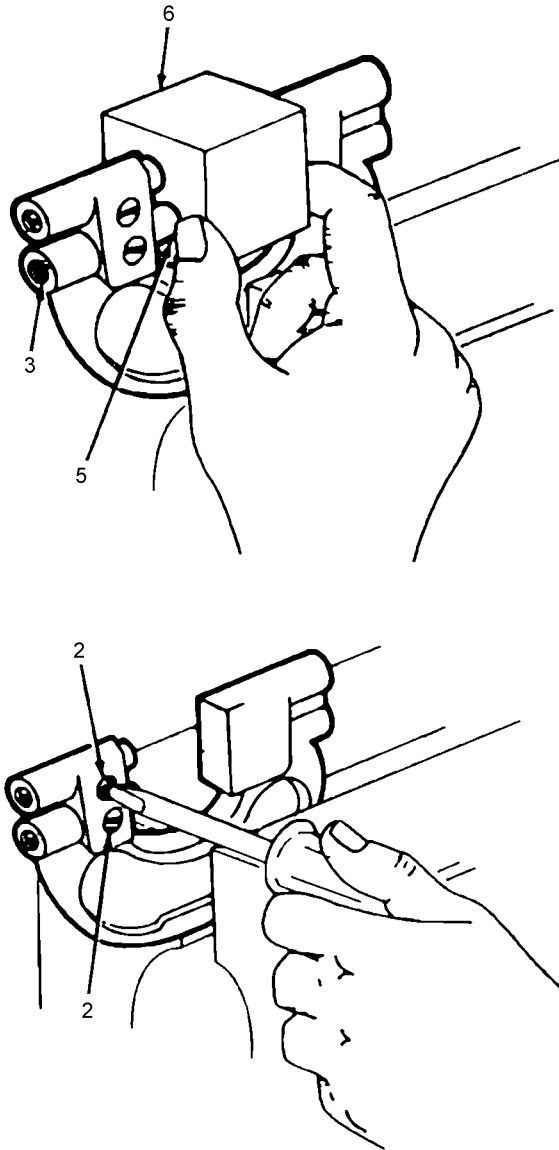


TO-32-1-101-158

- b. Loosen the locking screw (2) and turn the adjusting screws (3) until the dimensions (4) is set.

NOTE

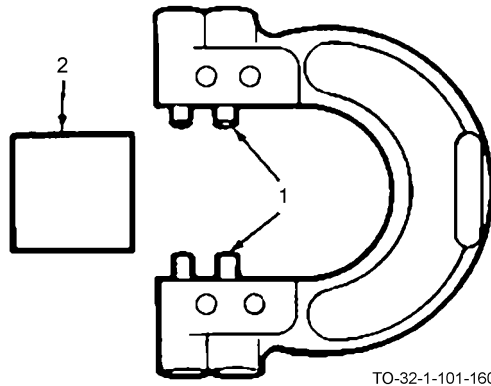
The desired dimension may be taken from a master disk, a precision gage block, or a master plug.



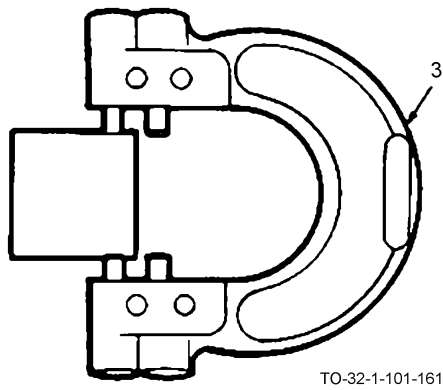
TO-32-1-101-159

- c. Turn the other adjusting screw (3) until the “NO GO” dimension (5) is set.
- d. After adjusting for proper dimensions with the master precision piece (6) in place, tighten the locking screws (2).
- e. Recheck to make sure the dimensions have not changed before using the gage.

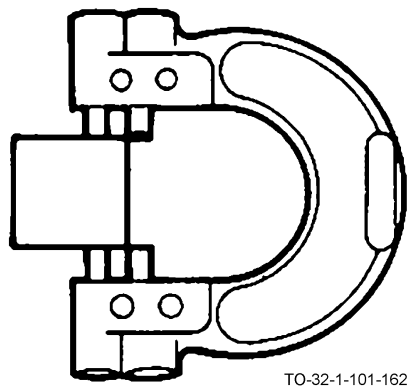
15.5 GAGING FLAT PARTS.



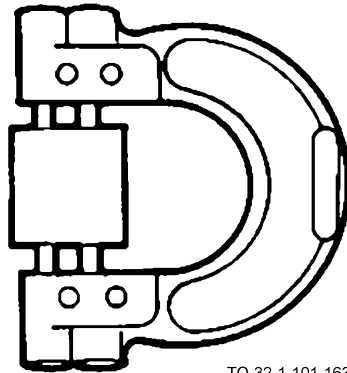
- a. Position gage so that the pins or buttons (1) are square with the flat surfaces on the part (2).



- b. Using a slight hand pressure, push the gage (3) over the part.



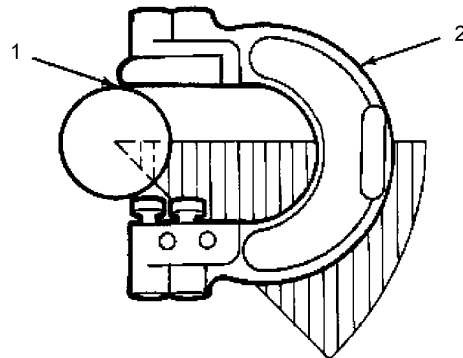
c. If the part is within limits, the NO GO pins will stop the part.



TO-32-1-101-163

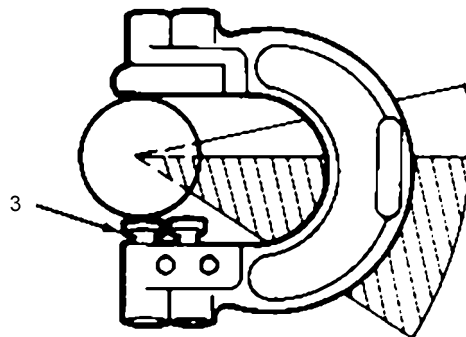
d. If the part is under size, it will be possible to push it past the NO GO pins.

15.6 GAGING CYLINDRICAL PARTS.



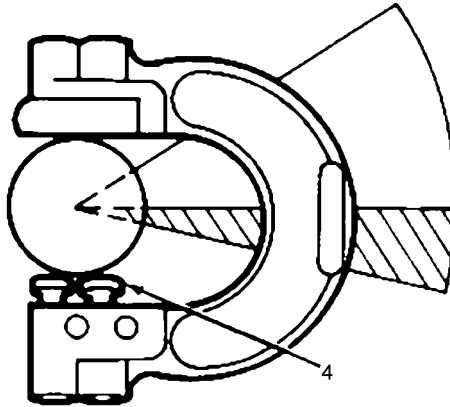
TO-32-1-101-164

a. Locate the gage on the part with the solid anvil (1) on top. Rock the gage (2) as indicated by the shaded segment above, where the GO dimension is checked.



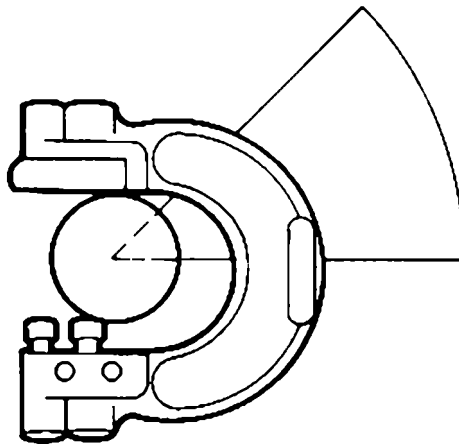
TO-32-1-101-165

- b. If the shaft is not oversized, the first button (3) will pass over it easily.



TO-32-1-101-166

- c. Move the gage to the position shown above. If the NO GO button (4) stops the gage, the shaft is within limits.



TO-32-1-101-167

- d. If the gage can be rocked further to the position, as shown, the part diameter is too small, since it has passed the NO GO button.

15.7 HOW TO USE PRECISION GAGE BLOCKS.

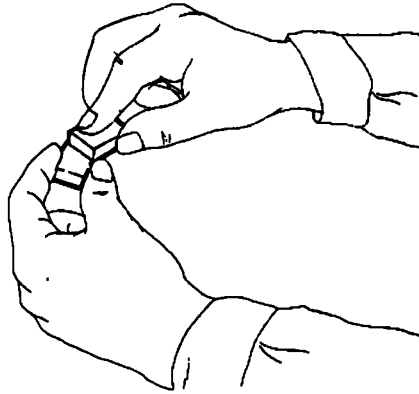
Before using gage blocks, remove the coat of rust-preventive compound with a chamois or a piece of cleansing tissue or by cleaning with an approved solvent. Gage blocks and any measuring tool used with them must be free of grease, oil, dirt, and other foreign matter to avoid a lapping action whenever the block is moved, and to ensure accurate measurement. When using gage blocks, take particular care when measuring hardened work to avoid scratching the measuring surfaces.



Do not leave blocks wrung together for long periods of time since surfaces in contact will tend to corrode. Failure to comply could result in damage to, or destruction of, equipment or loss of mission effectiveness.

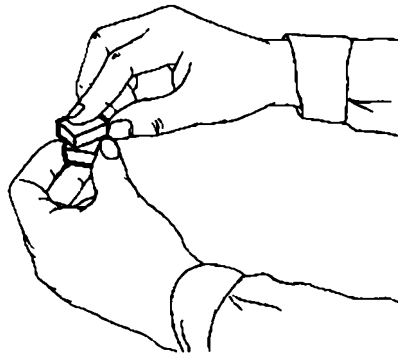
NOTE

When building gage blocks (wringing them together) to obtain a desired dimension, care should be exercised to avoid damaging them.



TO-32-1-101-168

- a. Bring the blocks together flat and move them slightly back and forth. This minimizes scratching, as it will detect any foreign particles between the surfaces.



TO-32-1-101-169

- b. Shift the blocks. If the blocks are clean, they will begin to take hold.
- c. Slide the two blocks together, using a slight pressure and a rotary motion.

- d. Shift gage blocks so that their sides are in line. Any combination of gage blocks may be stacked together in this manner. The combination will be as solid as a single block.

NOTE

- The adhesive force that binds two gage blocks together is a combination of molecular attraction and the suction cup action due to the film of oil or moisture on the surfaces wrung together.
- Separate gage blocks by sliding them apart, using the same movement as when wringing them together.

15.8 FACTORS TO CONSIDER WHEN USING GAGE BLOCKS.

Ordinary changes in temperature have a sizable effect on measurements made with precision gage blocks. The standard measuring temperature is 68 degrees Fahrenheit (°F), which is just a little lower than the average temperature in most shops. Since the room temperature affects the work as well as the block, the expansion in the work will be matched in most cases by a similar expansion in the block. The coefficient of linear expansion of several metals and blocks is listed below:

Material	Millionths of an inch
Steel	5.5 to 7.2 per °F
Iron	5.5 to 6.7
Phosphor bronze	9.3
Aluminum	12.8
Copper	9.4
Gage blocks	6.36 To 7.0

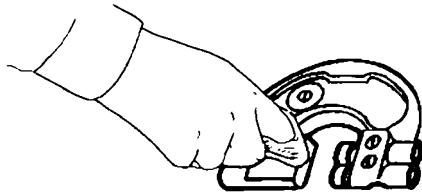
Handle blocks only when they must be moved and hold them between the tips of your fingers so that the area of contact is small. Hold them for short periods of time only. When using gage blocks consider the source of error resulting from temperature. Metals other than iron and steel (such as aluminum) have a much different coefficient of linear expansion which will result in a difference between the room temperature measurement and the standard measuring temperature measurement. Careless handling of gage blocks may produce an error of several millionths of an inch and this error increases proportionally with the dimension of the block. The temperature of the work may be either lower or higher than the room temperature as a result of a machining operation and this difference may be sufficient to cause a sizable error. Theoretically, the measuring pressure should increase proportionally with the area of contact. For practical purposes, it is better to use a standard measuring pressure. The most commonly used pressure is 1/2 to 2 pounds. Gage blocks are used in the layout and in checking the accuracy of tools, dies, and fixtures. They are also used in machine setups and in checking parts in process of manufacture and finished parts. Gage blocks are commonly used in setting adjustable instruments and indicating gages and verifying inspection gages. Gage blocks are used to verify the accuracy and wear of ring and snap gages and many other special-purpose gages. The classification of blocks depends largely on the accuracy required. Typical classification is shown on the following page.

NOTE

Avoid conducting body heat into the block by careless handling. Body heat may raise the temperature of the block, causing a serious error in a measurement, particularly if a long stack of blocks is being handled.

<u>Class</u>	<u>Work</u>	<u>Error range millionths of an inch</u>
I	Verifying gages, setting instruments, and tool inspection.	5 to 20
II	Layout of jigs, fixtures and dies, setting instruments, and tool inspection.	20 to 40
III	Setup of grinding, milling and drill machines, and parts inspection.	40 to 100

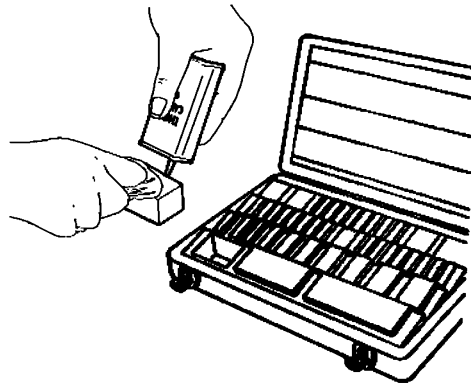
15.9 CARE OF RING AND SNAP GAGES.



TO-32-1-101-170

- a. Always make certain that the surfaces of the parts gaged and the gage itself are kept free from abrasives, dirt, grit, chips, and all foreign matter.
- b. Always consider the abrasive action of the part on the gage. Cast iron, steel, and cast aluminum are more abrasive than brass, bronze, and nonmetals such as plastics. Use particular care when gaging cast iron, steel, and cast aluminum.
- c. When gages are stored, arrange them neatly in a drawer or case so that they do not contact other tools or each other.
- d. Always hold the gages in your hands when checking. Never clamp them in a vise.
- e. At frequent intervals, check all gages for accuracy and wear with gage blocks or master gages.

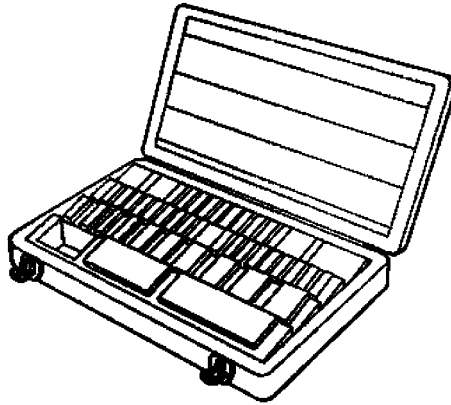
15.10 CARE OF GAGE BLOCKS.



TO-32-1-101-171

- a. Observe particular care when using gage blocks to measure hardened work. The danger of scratching is increased when the work is as hard as the block, or harder.

- b. Never touch the measuring surfaces of blocks any more than necessary. The moisture from your hands contains an acid which, if not removed, will eventually stain the blocks.



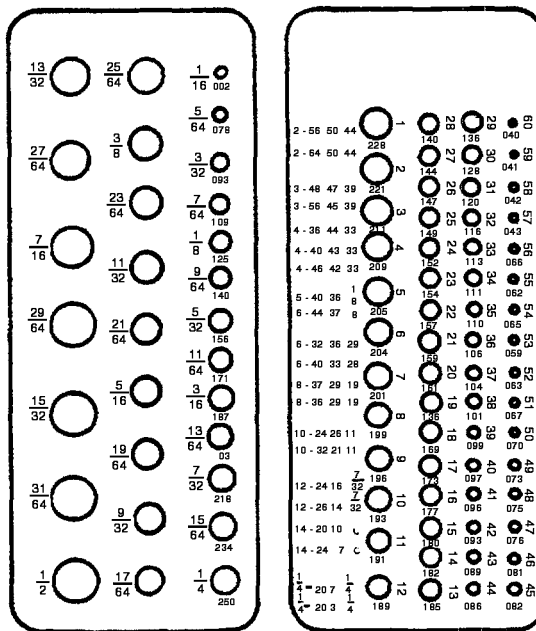
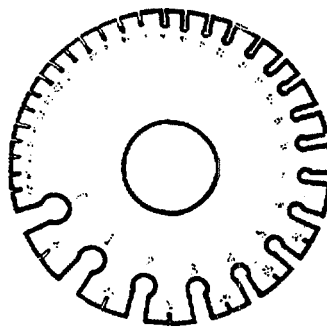
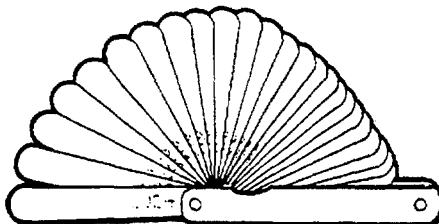
TO-32-1-101-172

- c. Before using blocks, ensure there is no grease, oil, dirt, or any foreign substances on block.
- d. Every time a set of blocks is used, all the blocks which have been cleaned for use must be covered with a film of acid-free oil, such as boiled petrolatum, before they are put away. Wipe them with an oiled chamois as you return the blocks to their places in the case.

CHAPTER 16

MISCELLANEOUS MEASURING GAGES

16.1 HOW TO CHOOSE AND USE MISCELLANEOUS MEASURING GAGES.



TO-32-1-101-173

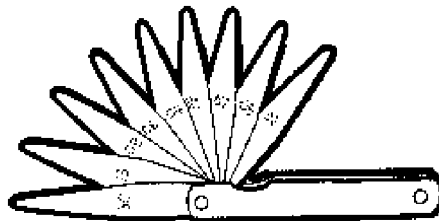
Types and Uses, Paragraph 16.2, provides you with a list of miscellaneous measuring gages. These pages should help you select the right gage for the job. Using, Paragraph 16.3, tells you how to use the miscellaneous measuring gages to perform the measuring operation. Care of Gages, Paragraph 16.14, procedures tell you how to care for the gages.

16.2 MISCELLANEOUS MEASURING GAGES TYPES AND USES.

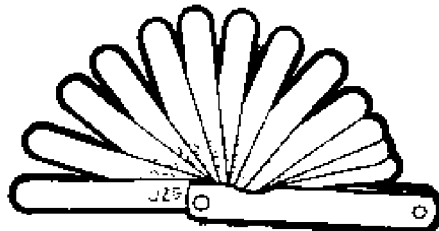
16.2.1 Thickness (Feeler) Gages.



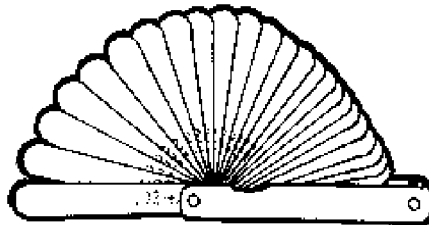
TO-32-1-101-174



TO-32-1-101-175



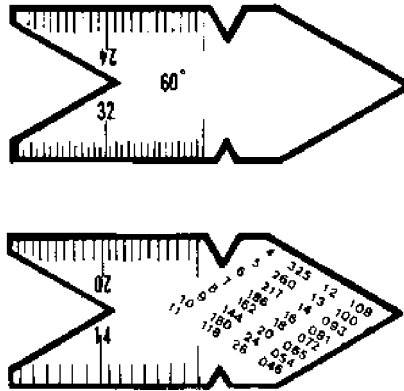
TO-32-1-101-176



TO-32-1-101-177

Thickness (feeler) gages are made in many shapes and sizes; usually 2 to 26 blades are grouped into one tool and graduated in thousandths of an inch. Most thickness blades are straight, while others are bent at the end at 45 degree and 90 degree angles. Some thickness gages are grouped so that there are several short and several long blades together. Thickness gages are also available in single blades and in strip form for specific measurements. For convenience, many groups of thickness gages are equipped with a locking screw in the case that locks the blade to be used in the extended position. These gages are fixed in leaf form, which permits the checking and measuring of small openings such as contact points, narrow slots, and so forth. They are widely used to check the flatness of parts in straightening and grinding operations and in squaring objects with a try square.

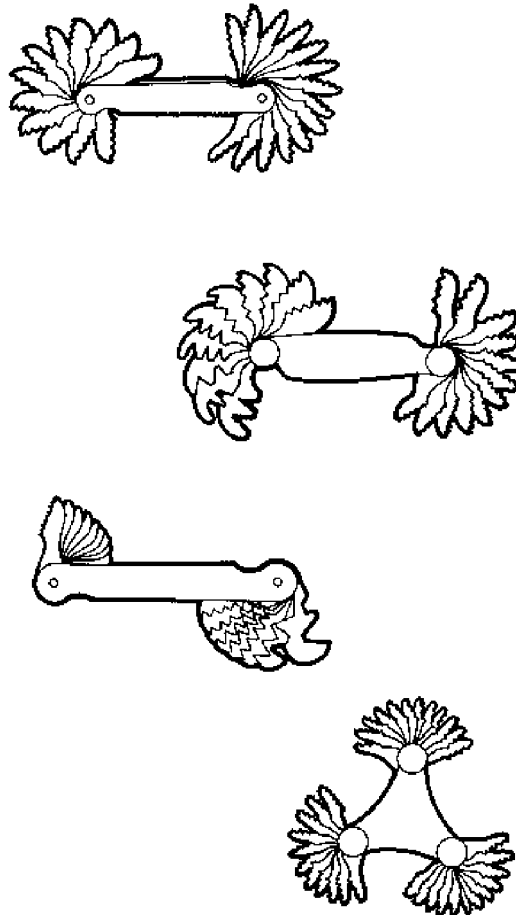
16.2.2 Center Gage.



TO-32-1-101-178

The center gage is graduated in 14ths, 20ths, 24ths, and 32nds of an inch. The back of the center gage has a table giving the double depth of thread in thousandths of an inch for each pitch. This information is useful in determining the size of tap drills. Sixty-degree angles in the shape of the gage are used for checking Unified and American threads as well as for older American National or U.S. Standard threads and for checking thread cutting tools.

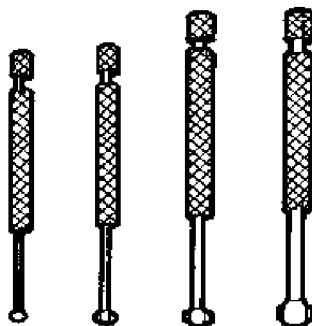
16.2.3 Screw Pitch Gages.



TO-32-1-101-179

Screw pitch gages are made for checking the pitch of U.S. Standard, Metric, National Form, V-form, and Whitworth cut threads. These gages are grouped in a case or handle, as are the thickness gages. The number of threads per inch is stamped on each blade. Some types are equipped with blade locks. The triangular-shaped gage has 51 blades covering a wide range of pitches, including 11-1/2 and 27 threads per inch for V-form threads. Screw pitch gages are used to determine the pitch of an unknown thread. The pitch of a screw thread is the distance between the center of one tooth to the center of the next tooth.

16.2.4 Small Hole Gage Set.

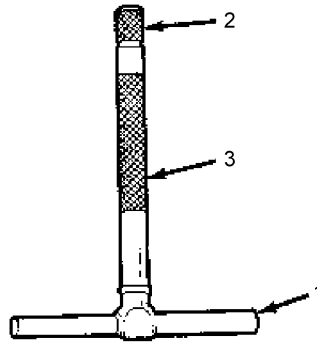


TO-32-1-101-180

Small hole gages are adjustable, having a rounded measuring member. A knurled screw in the end of the handle is turned

to expand the ball-shaped end in small holes and recesses. A micrometer caliper is used to measure the ball end. Maximum measuring capacity is 1/2 inch. This set of 4 or more gages is used to check dimensions of small holes, slots, grooves, and so forth from approximately 1/8 to 1/2 inch in diameter.

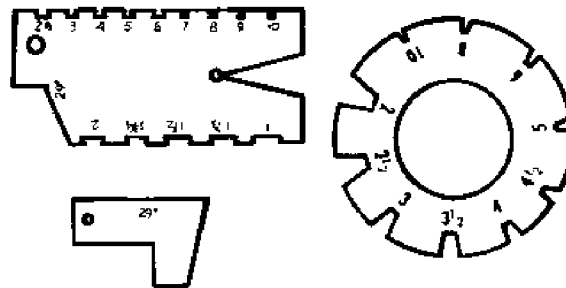
16.2.5 Telescoping Gages.



TO-32-1-101-181

Telescoping gages are used to gage larger holes and to measure inside distances. These gages are equipped with a plunger (1) that can be locked in the measuring position by a knurled screw (2) in the end of the handle (3). Maximum measuring capacity is 6 inches. Measurements must be calipered on the gage by a micrometer, as in the case of the small hole gages. They are also used when measurements cannot be taken with a standard micrometer. Telescoping gages are particularly adaptable for roughly bored work and odd sizes and shapes of holes. Compress the plungers and lock them by turning handle screw.

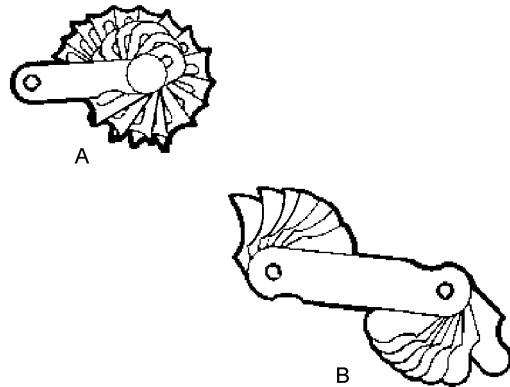
16.2.6 Threaded Cutting Tool Gages.



TO-32-1-101-182

Thread cutting tool gages are hardened steel plates with cutouts around the perimeter. Each cutout is marked with a number that represents the number of threads per inch. These gages provide a standard for thread cutting tools. They have an enclosed angle of 29 degrees and include a 29 degree setting tool. One gage furnishes the correct form for square threads and the other for Acme standard threads.

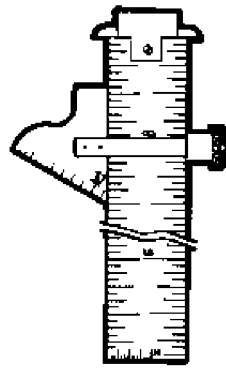
16.2.7 Fillet and Radius Gages.



TO-32-1-101-183

The blades of fillet and radius gages are made of hard-rolled steel. The double-ended blades of the gage have a lock which holds the blades in position. The inside and outside radii are on one blade on gage (A). The other gage (B) has separate blades for inside and outside measurements. Each blade of each gage is marked in 64ths. Each gage has 16 blades.

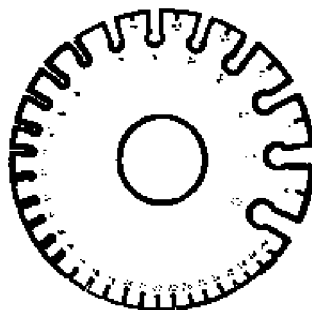
16.2.8 Drill Point Gage.



TO-32-1-101-184

The drill point gage consists of a 6 inch hook rule with a 59 degree sliding head that slides up and down the rule. The sliding head can be locked at any position on the rule and is graduated in 1/32 inch. This gage is used to check the accuracy of drill cutting edges after grinding. It is also equipped with a 6 inch hook rule. This tool can be used as a drill point gage, hook rule, plain rule, and a slide caliper for taking outside measurements.

16.2.9 Wire Gages.

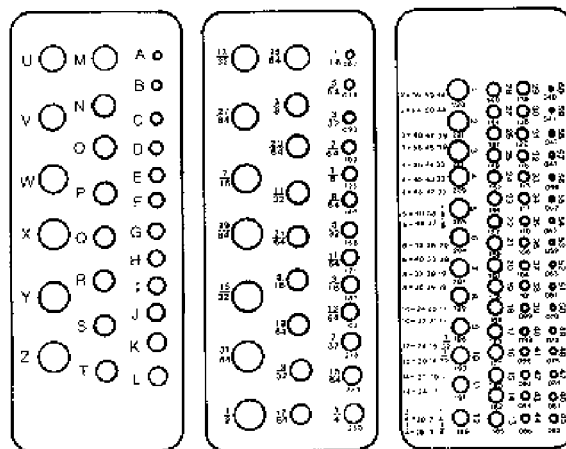


TO-32-1-101-185

A wire gage is circular in shape with cutouts in the outside edge. Each cutout gages a different size wire, from 0 to 36 of

the English Standard Wire Gage. A separate gage is used for American standard wire and another for U.S. Standard sheet and plate iron, and steel. Similar gages are also used to check the size of hot and cold rolled steel, sheet and plate iron, and music wire.

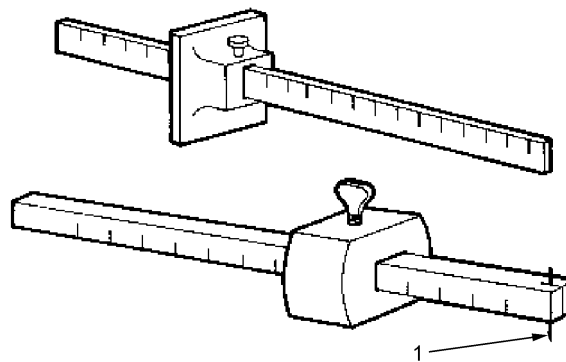
16.2.10 Drill Gages.



TO-32-1-101-186

The twist drill and drill rod gage has a series of holes with size and decimal equivalents stamped adjacent to each hole. One gage measures drill sizes numbers 1 to 60; the other gage measures drill sizes 1/16 to 1/2 inch in 1/64 inch intervals. Drill gages determine the size of a drill and indicate the correct size of drill to use for given tap size. Drill number and decimal size are also shown in this type gage. Letter size drill gages are also available. Each drill hole is identified by a letter instead of a number, decimal, or fraction.

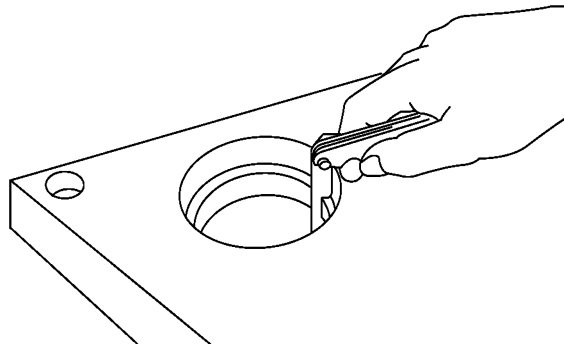
16.2.11 Marking Gages.



TO-32-1-101-187

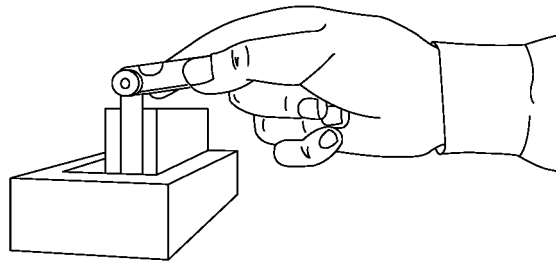
Marking gages are made of wood or steel. They consist of a graduated beam about 8 inches long on which a head slides. The head can be fastened at any point on the beam with a thumbscrew. The thumbscrew presses a brass shoe tightly against the beam and locks it firmly in position. A steel pin or spur (1) marks the wood and projects from the beam about 1/16 inch. A marking gage is used to mark off guidelines parallel to an edge, end, or surface of a piece of wood. It has a sharp spur or pin which does the marking. A marking gage must be adjusted by setting the head the desired distance from the spur.

16.3 USING A THICKNESS GAGE.



TO-32-1-101-188

Thickness (feeler) gages are used in one of two ways: as a means for determining a measure or a means for adjusting to a definite limit. A thickness gage is used to check piston ring gap clearance in a cylinder bore.

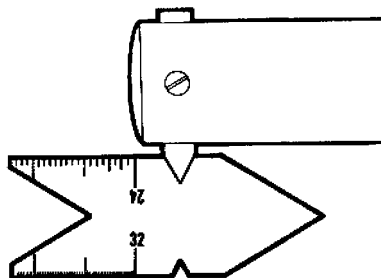


TO-32-1-101-189

A long blade thickness gage is used to determine the fit between large mating surfaces. By combining blades it is possible to obtain a wide variation of thickness.

16.4 USING A CENTER GAGE.

The center gage is used to set thread cutting tools. Four scales on the gage are used for determining the number of threads per inch. The gage is also used to check cut threads and the scales are used to measure threads per inch.



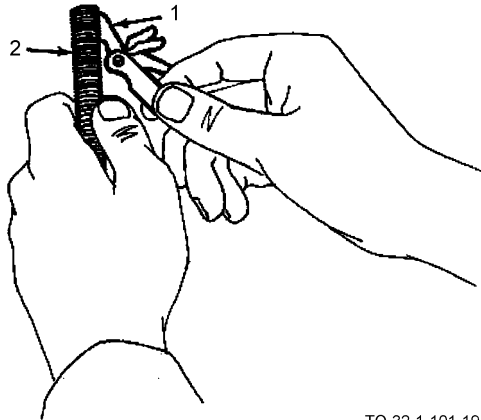
TO-32-1-101-190

16.5 USING A SCREW PITCH GAGE.

If the pitch of a thread is not known, it can be determined by comparing it with the standards on the various screw pitch gages.

- a. Place a blade of a gage (1) over the threads (2), and check to see whether it meshes; if not, successively check each blade of the gage against the thread until it meshes.

- b. The pitch can be read off the correct blade. The blades are made pointed so that they can be inserted in small nuts to check inside threads as well as outside threads.

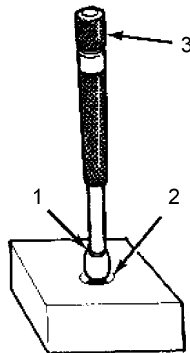


TO-32-1-101-191

16.6 USING A SMALL HOLE GAGE.

The small hole gages perform the same function as telescoping gages, except that they are used in smaller work.

- a. Fit the ball-shaped point (1) into the hole or slot (2).
- b. Expand the ball-shaped end by turning the screw (3) at the end of the handle.
- c. Use micrometer to gage the measurement.



TO-32-1-101-192

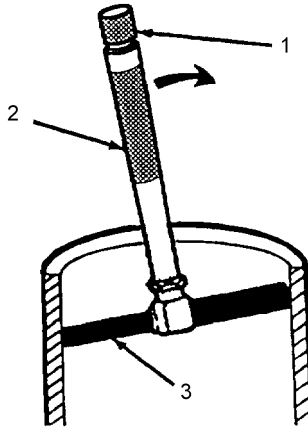
16.7 USING A TELESCOPING GAGE.

- a. Loosen the knurled nut (1) at the end of the handle (2).
- b. Slightly tilt telescoping gage (3) 5 to 10 degrees and lower into object to be measured.
- c. Tighten knurled nut (1).
- d. Remove gage by pulling across center line as indicated by arrow.

NOTE

Take measurement only once. Repeated attempts will produce an inaccurate reading.

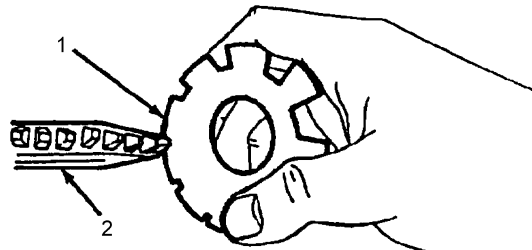
- e. Measure gage setting with an outside micrometer. (To use an outside micrometer, refer to Chapter 7 in this manual.)



TO-32-1-101-193

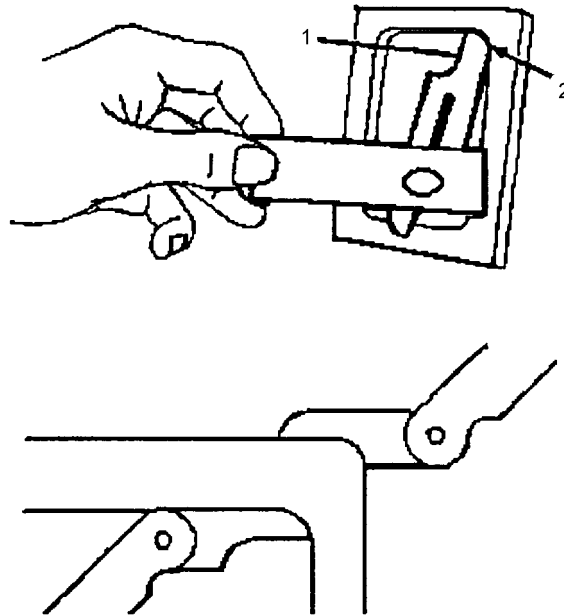
16.8 USING A THREAD CUTTING TOOL GAGE.

- a. Place the proper gage (1) over the tool (2). The tool must mesh properly with no light showing between the tool and the gage.
- b. Use a 29 degree angle as a guide when grinding cutting tool.
- c. After tool fits the angle, the point should be ground off to fit the proper place on the gage for the particular number of threads per inch to be cut.



TO-32-1-101-194

16.9 USING A FILLET AND RADIUS GAGE.

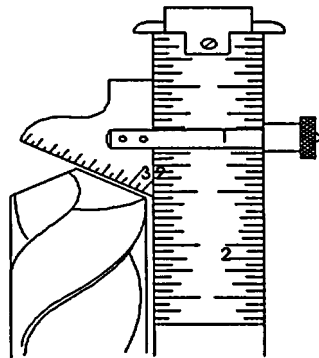


TO-32-1-101-195

- a. A double-ended radius gage blade (1) is used to check the inside corner or fillet (2) of a machined part. Each blade can be locked in position by tightening the clamp.
- b. These gages can be used in any position and at any angle for both inside and outside radii.

16.10 USING A DRILL POINT GAGE.

The method for sharpening the cutting edges of a drill is to do one lip at a time. Each lip must have the same length and have the same angle in relation to the axis of the drill. Set the sliding head securely on the rule at the mark equal to the length of the drill. Place the drill vertically against the rule so that the drill lip contacts the 59 degree angle of the sliding head. Hold up to light; correct angle is obtained when no light is seen between gage and drill.

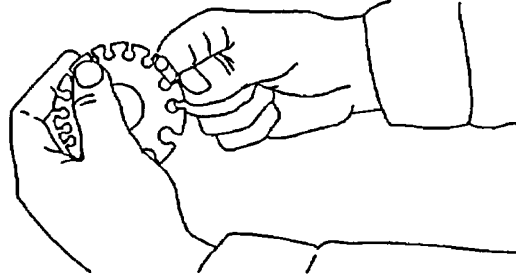


TO-32-1-101-196

AIR FORCE AIR FORCE TO 32-1-101
ARMY ARMY TM 9-243
MARINE CORPS MARINE CORP TM 10209-10/1
NAVY (NAVAIR) NAVY M6290-AJ-MAN-1010

16.11 USING A WIRE GAGE.

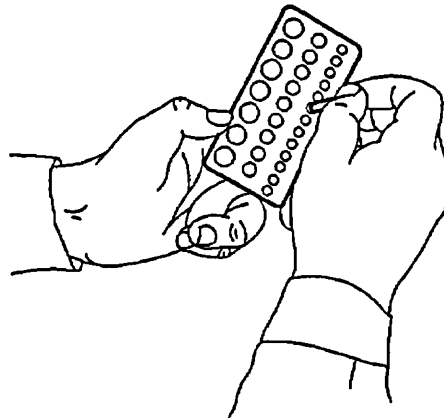
Determine the size of both sheet stock and wire by using a correct sheet and plate or wire gage.



TO-32-1-101-197

16.12 USING A DRILL GAGE.

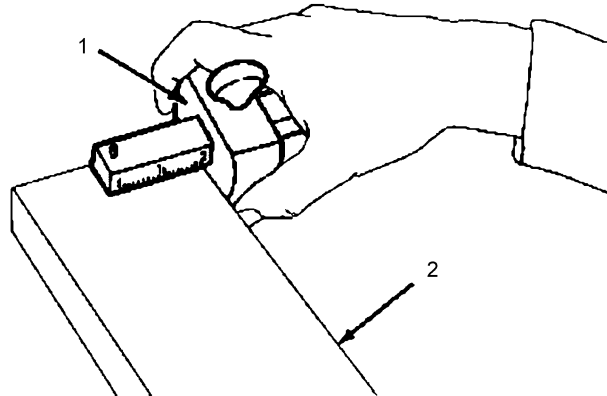
The drill gage is used to determine the size of a drill. The drill size, number and decimal size or letter size are stamped on the gage beside each hole. A chart on the gage indicates the correct size of drill to use for a given tap size.



TO-32-1-101-198

16.13 USING MARKING GAGES.

Press the head (1) firmly against the edge of the work (2) to be marked. With a wrist motion, tip the gage forward until the spur touches the work. Push the gage along the edge to mark the work, keeping the head firmly against the work.



TO-32-1-101-199

16.14 CARE OF GAGES.

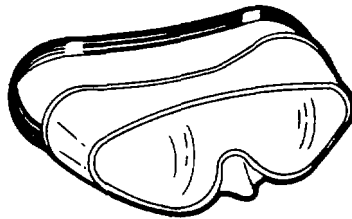
- a. Exercise care when using thickness gages to measure clearance of knives and cutters on machines. Do not lower knife on thickness blade and then try to remove the gage. The blade may be shaved off if it is too tight. Never use gages for cleaning slots or holes. When blades are damaged or worn they should be replaced. Blades in a case are removed by loosening the clamp and sliding out the damaged blade. Insert new blade and tighten clamp.
- b. As needed, coat metal parts of all gages with a light film of oil when not in use to prevent rust. Store gages in separate containers. Do not pile gages on each other. Always return blades of leaf-type gages to case after use. Keep graduations and markings on all gages clean and legible. Do not drop any gage. Small scratches or nicks will result in inaccurate measurements.

CHAPTER 17 PLIERS AND TONGS

17.1 HOW TO CHOOSE AND USE PLIERS AND TONGS.

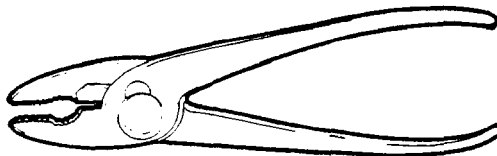
WARNING

Wear eye protection when using pliers that cut or trim. Keep fingers away from jaws and cutting edges to prevent personal injury.



TO-32-1-101-200

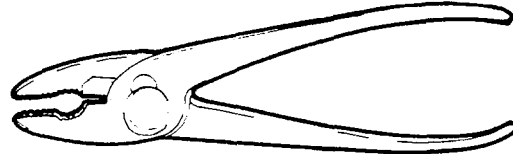
Types and Uses, Paragraph 17.2, provides you with a list of some types of pliers and tongs. These pages should help you select the right pair to do the job. Using, Paragraph 17.3, tells you how to use the pliers or tongs to perform the desired function. Care of Pliers and Tongs, Paragraph 17.6, tells you how to care for the items.



TO-32-1-101-201

17.2 PLIERS AND TONGS TYPES AND USES.

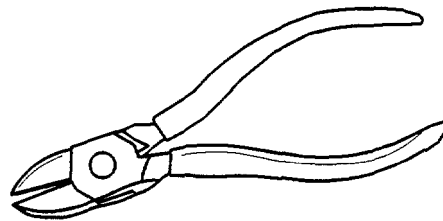
17.2.1 Slip-joint Pliers.



TO-32-1-101-202

The slip-joint combination pliers have serrated (grooved) jaws, with a rod-gripping section, a cutting edge, and a pivot. The serrated jaws and rod-gripping section are used to hold objects. The cutting edge permits the cutting of soft wire and nails. However, cutting hard materials or large gage wire will spring the jaws, making the pliers useless. The pivot is used to adjust the jaw opening to handle large or small objects.

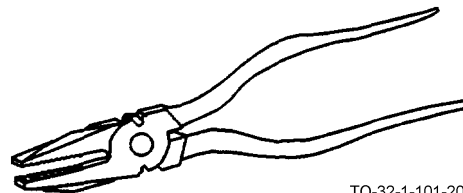
17.2.2 Diagonal Cutting Pliers.



TO-32-1-101-203

The diagonal cutting pliers have a fixed pivot. The jaws are offset by about 15 degrees and are shaped to give enough knuckle clearance while making flush cuts. The diagonal cutting pliers are used for cutting small, light materials such as wire, cotter pins, and similar materials. These pliers are not to be used to hold or grip objects.

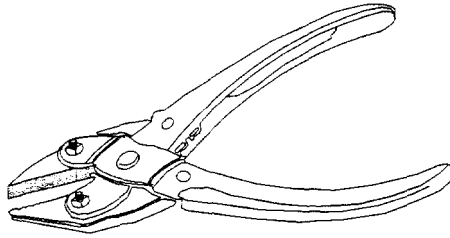
17.2.3 Lineman's Side Cutting Pliers.



TO-32-1-101-204

The lineman's side cutting pliers have serrated jaws, a rod gripping section, side cutters, wire cropper, a fixed pivot, and parallel handles. The flat serrated jaws are used to bend sheet metal and twist electrical wire. The rod-gripping section is used to hold rods and bend small rods. The side cutters are located just above the pivot point, where maximum pressure may be applied. They are ground at an angle permitting sharp flush cuts on electrical wire. A pair of croppers is located above the pivot. They are used to shear larger wire. Lineman's pliers used around electrical circuits have insulated sleeves over the handles to reduce the possibility of electrical shock.

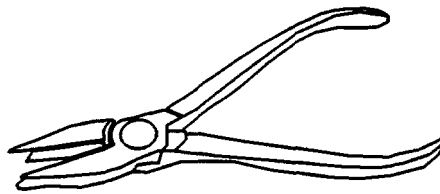
17.2.4 Parallel Jaw Pliers.



TO-32-1-101-205

The parallel jaw pliers are constructed so that the jaws remain parallel to each other throughout the entire distance of travel. It has two jaws, a pivot pin, curved handles, and tension springs. The tension springs are contained within the curved handles and will open the jaws when the handles are released. These pliers are used to grip objects which have flat surfaces.

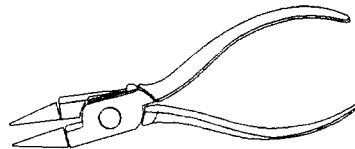
17.2.5 Flat-nose Pliers.



TO-32-1-101-206

The flat-nose pliers have flat serrated jaws, a fixed pivot, and curved handles which may have insulated sleeves. These pliers are used to bend light sheet metal and wire.

17.2.6 Round-nose Pliers.



TO-32-1-101-207

The round-nose pliers are used to make loops in soft wire. It has smooth, round jaws, a fixed pivot, and curved handles, which may have insulated sleeves.

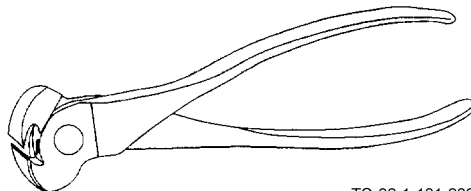
17.2.7 Straight-lip Flat-jaw Tongs.



TO-32-1-101-208

The straight-lip flat-jaw tongs have two straight jaws, a fixed pivot point, and long, straight handles. These tongs are used to hold bearings and bearing inserts while setting them in place.

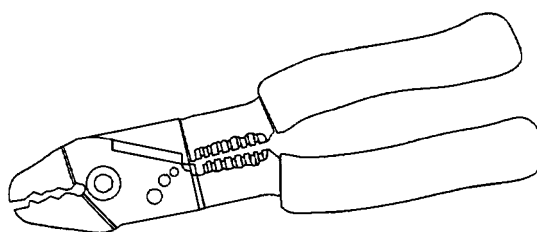
17.2.8 End Cutting Pliers.



TO-32-1-101-209

The end cutting pliers are used to crop wire flush to the working surface. They are designed to keep hands and fingers safely away from the wire ends.

17.2.9 Wire Strippers (Multipurpose).



TO-32-1-101-210

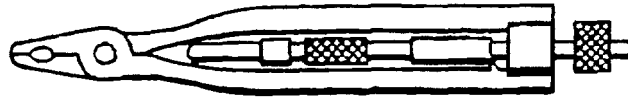
Wire strippers are used to strip insulation from electrical cord. When closed around wire, only the insulation is cut. The wire core remains undamaged.

17.2.10 Crimping Tools. There are approximately twenty different types of crimping tools now in use at field locations, each one designed to install a specific type and size of connector. These tools are used to install electrical taper pins, butt connectors, ring tongue terminals, ferrules, etc. The various crimping tools differ in some respects due to different manufacturers; however, they are all marked to indicate manufacturers part number and wire size limitations. Several of the crimping tools are adjustable to accommodate different insulation thicknesses. This adjustment is accomplished by positioning two pins (adjustment pins available Part Number (PN) 3144921) located near the pivot point of the tool. Each of the two pins can be placed in any one of three different locations labeled 1, 2, and 3. When making adjustment, make sure that both insulation adjustment pins are in the same numbered positions. Position number 3 is for wire having a large insulation diameter, position number 2 is for wire having a medium insulation diameter, and position number 1 is for wire having a small insulation diameter. Crimping tools are often color coded. This color will be located either on the handle or on the crimping jaws of the tool. The color indicates the size of wire to be connected. Often the connector is also color coded to match the tool. The color codes normally used are as follows:

<u>Wire Sizes</u>	<u>Color</u>
26-22	Yellow
22-16	Red
16-14	Blue
12-10	Yellow
8	Red
6	Blue
4	Yellow
2	Red
10	Blue
20	Yellow
30	Red
40	Blue

The locator (stop plate) on some crimpers is used to position the different types of connectors (e.g., ring tongue on butt-connectors) and is to be used to position the connectors in all cases. The majority of crimping tools use a ratchet control that prevents the opening of the jaws once the crimp is begun. This is to insure that the correct amount of pressure is applied to the connector. Maintenance should consist of lightly lubricating all pins and pivot points as necessary. Use IBM No. 9 oil, PN 3034653. Table 55-16 in Chapter 55 illustrates the crimping tool availability and lists all pertinent data pertaining to their usage.

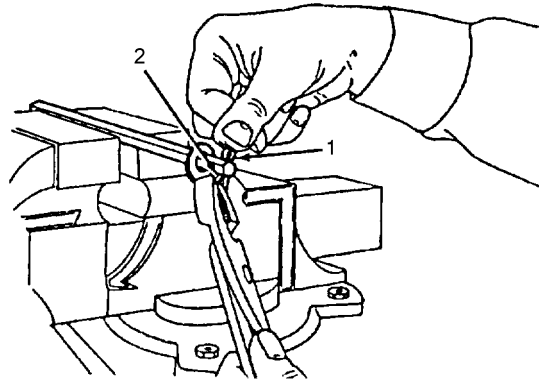
17.2.11 Wire Twister.



TO-32-1-101-211

Forged alloy steel pliers are best for twisting safety wires on crucial aircraft, automotive and similar equipment. Has a right-hand twist and a standard nose shape and a riveted lap joint with side cutter. Jaws lock in the closed position and have scored or serrated gripping surfaces. A spiraling mechanism welded to one handle produces a close, uniform twist when rod is pulled and pliers rotate.

17.3 USING SLIP-JOINT PLIERS.

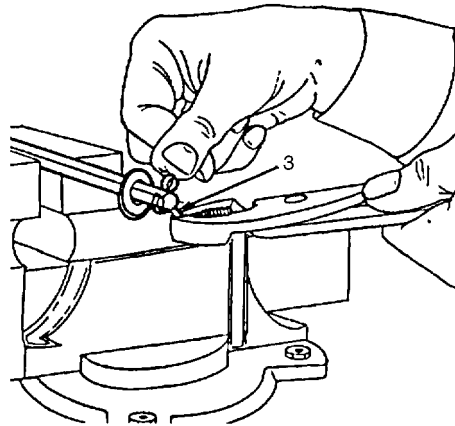


TO-32-1-101-212

NOTE

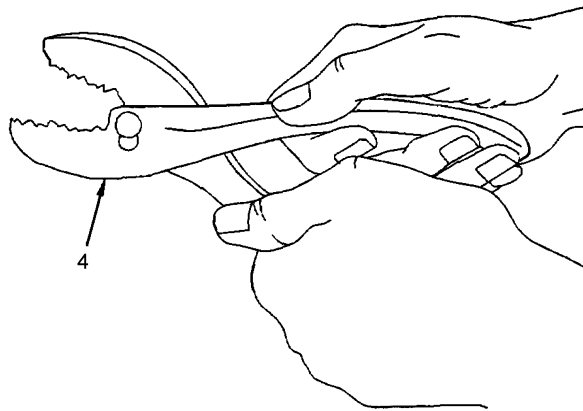
The following procedure for bending the ends of a cotter pin after installation is not the only use of slip-joint pliers.

- a. With cotter pin installed, push rounded head of pin (1) with thumb of one hand. Grasp the long section of extending cotter pin (2) with pliers, and bend it back flat against the metal surface or nut.



TO-32-1-101-213

- b. Grasp the other section of the extending cotter pin (3) and bend it back flat against the metal surface or nut.

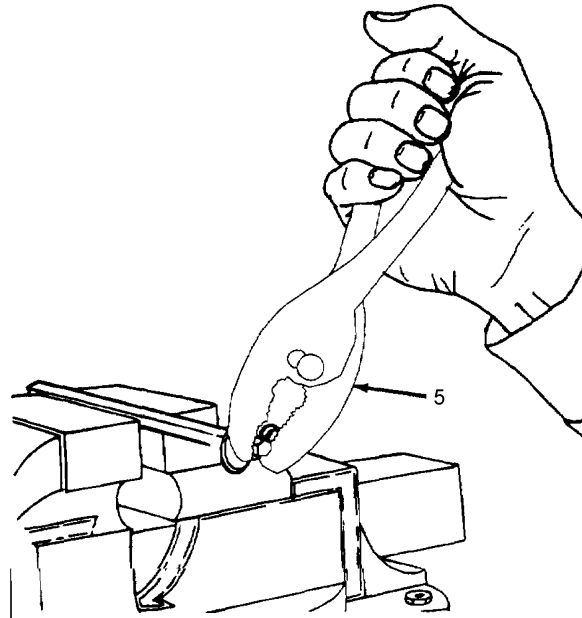


TO-32-1-101-214

- c. Adjust pliers (4) to obtain a wide jaw opening.

CAUTION

Too much pressure could break the cotter pin or spring the plier jaws. Failure to comply could result in damage to, or destruction of, equipment or loss of mission effectiveness.



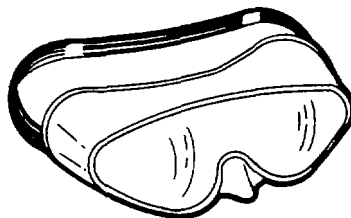
TO-32-1-101-215

- d. Place plier jaws (5) around both bent ends of the cotter pin and apply pressure on the handles, bending cotter pin ends flush.

17.4 USING DIAGONAL CUTTING PLIERS.

WARNING

Wear eye protection. Keep fingers away from jaws and cutting edges. Failure to comply could result in injury to, or death of, personnel or long term health hazards.



TO-32-1-101-200

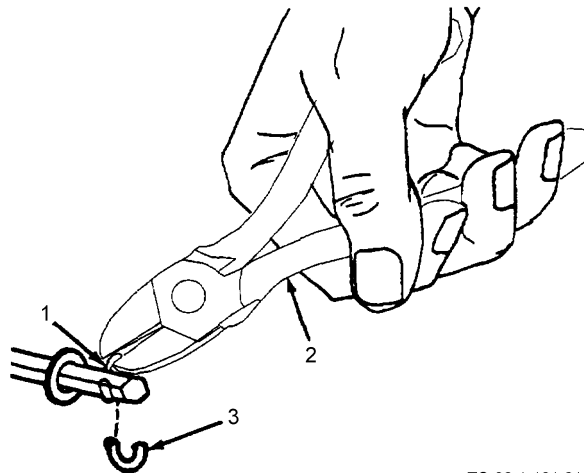
CAUTION

Diagonal cutting pliers are to be used only for cutting. Failure to comply could result in damage to, or destruction of, equipment or loss of mission effectiveness.

NOTE

The following procedure for the removal of a cotter pin is not the only use of diagonal cutting pliers.

- a. Position cutters so the rounded end (1) of the cotter pin is between the cutting jaws.
- b. Close the cutting jaws by applying pressure to the handles (2). This will shear off the end of the cotter pin (3).

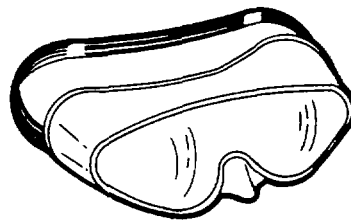


TO-32-1-101-216

17.5 USING LINEMAN'S SIDE CUTTING PLIERS.

WARNING

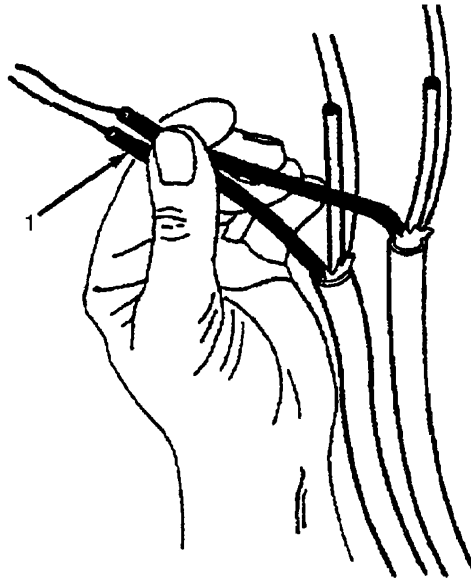
Wear eye protection when cutting or trimming. Keep fingers away from jaws and cutting edges. Failure to comply could result in injury to, or death of, personnel or long term health hazards.



TO-32-1-101-200

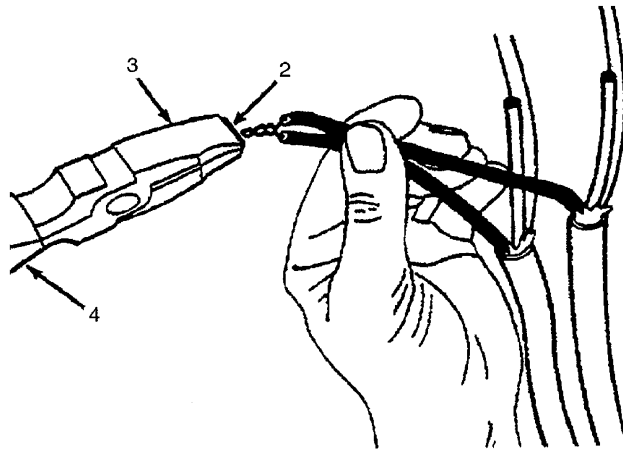
NOTE

The following procedure for twisting wires is not the only use of lineman's side cutting pliers.



TO-32-1-101-217

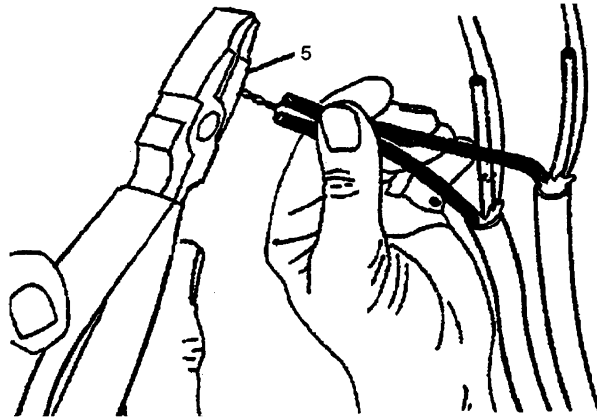
- a. Using one hand, hold wires to be twisted (1) just above the point where the twist is to begin.



TO-32-1-101-218

- b. Grasp the ends of the wires (2) firmly on the serrated jaws (3) and twist the pliers (4).

- c. Continue twisting pliers until wire has been twisted to desired length.



TO-32-1-101-219

- d. Open plier jaws and place the ends of the twisted wires between the cutting edges (5). Trim the ends of the wire.

17.6 CARE OF PLIERS AND TONGS.

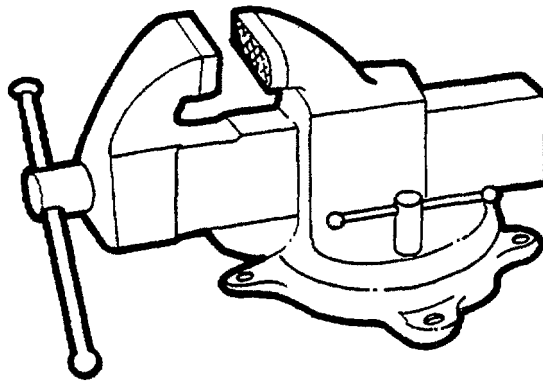
- a. As needed, remove dirt and grease with a clean rag and apply a light coat of oil after each use.
- b. Store pliers in a tool box or hang on racks when not in use.
- c. Do not remove insulation on handles or oil handles which are insulated.
- d. Do not use pliers for prying or for removing nuts or bolts. Replace all pliers which have broken jaws, handles, or cutting edges.

CHAPTER 18

VICES

18.1 HOW TO CHOOSE AND USE VISES.

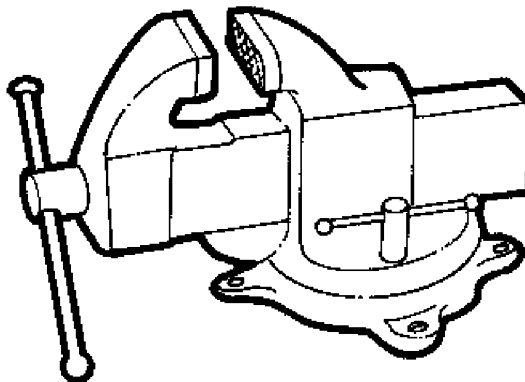
Types and Uses, Paragraph 18.2, provides you with a list of some of the types of vises. These pages should help you select the right vise to do the job. Using, Paragraph 18.3, tells you how to use the vise to perform the desired function. Care of Vises, Paragraph 18.5, tells you how to care for the items.



TO-32-1-101-220

18.2 VICES TYPES AND USES.

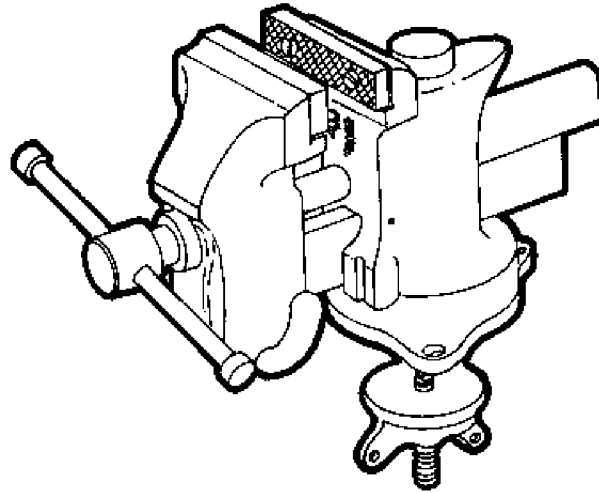
18.2.1 Machinist's Bench Vise.



TO-32-1-101-221

The machinist's bench vise has rough jaws which prevent the work from slipping. It has a swivel base, allowing the user to position the vise in a better working position. Machinist's bench vises are usually bolted to a work bench or table. They are used for holding or clamping large, heavy objects.

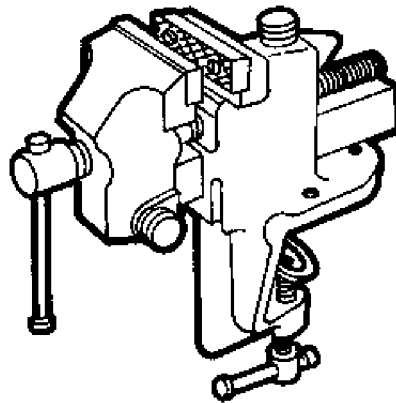
18.2.2 Bench and Pipe Vise.



TO-32-1-101-222

The bench and pipe vise is a dual purpose vise. It has rough jaws and a swivel base similar to the machinist's bench vise. However, it also has built-in pipe jaws. Bench and pipe vises are usually bolted to a work bench or table. They are used for holding or clamping heavy objects, holding pipe for cutting and threading, and for forming and shaping metal.

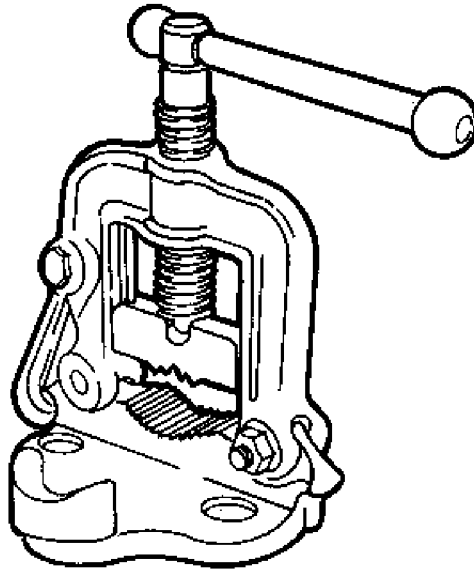
18.2.3 Clamp Base Bench Vise.



TO-32-1-101-223

The clamp base bench vise is a lightweight, portable machinist's vise. It is attached to a table or bench with the mounting clamp. It has rough jaws for holding material and may have a swivel base. Clamp base bench vises are used to hold light materials or in areas where a heavier vise is not available.

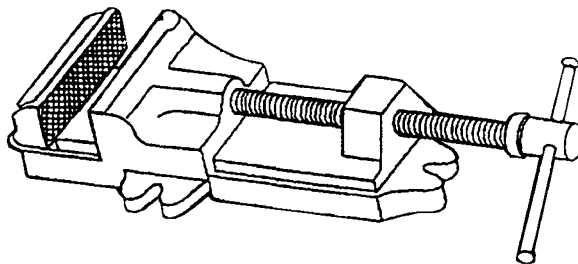
18.2.4 Pipe Vise.



TO-32-1-101-224

The pipe vise is a special purpose vise designed to hold round stock. It has hinged jaws which allow the user to position the work and then lock it in place. Some pipe vises have a section of chain instead of jaws for holding the pipe. Pipe vises are usually bench mounted. They are used to hold pipe from 1/8 inch to 8 inches in diameter while cutting or threading.

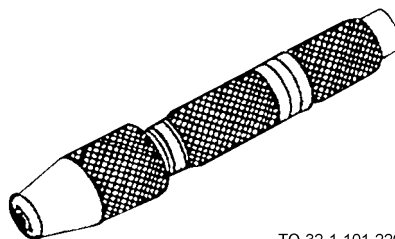
18.2.5 Machine Table Vise.



TO-32-1-101-225

The machine table vise is a special purpose vise which may be bolted to a drill press, lathe, or table. It is available in two sizes, one having a 3-1/2 inch jaw width and a 3 inch jaw opening, and the other having a 6 inch jaw width and a 6 inch jaw opening. Machine table vises are used to hold small pieces of wood or metal for machining or drilling operations.

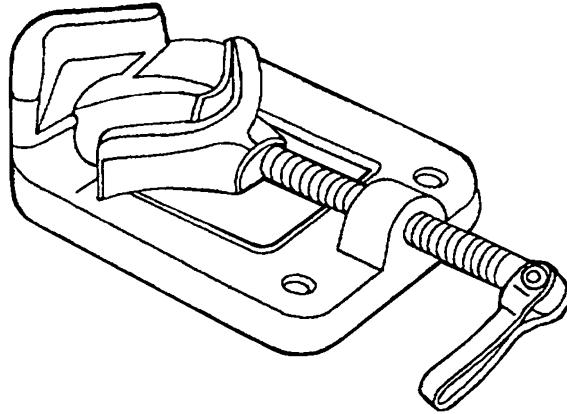
18.2.6 Pin Vise.



TO-32-1-101-226

The pin vise is a special purpose vise which has a knurled metal handle and a chuck. It is designed to hold material from 0 to 0.187 inches in diameter. The pin vise is used to hold files, taps, and small drills during machining operations.

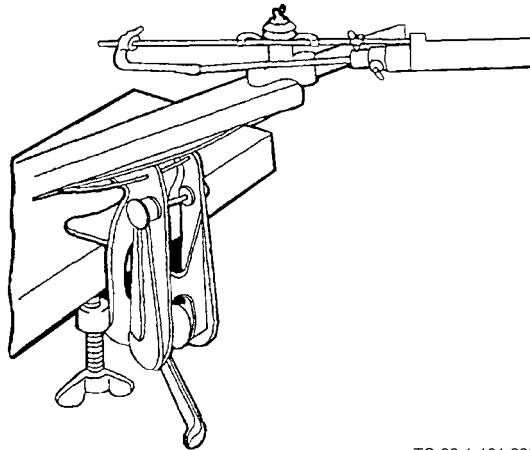
18.2.7 Piston Holding Vise.



TO-32-1-101-227

The piston holding vise is a special purpose vise which can hold engine pistons up to and including 5-1/2 inches in diameter. This vise may be bolted to a bench or table.

18.2.8 Handsaw Filing Vise.



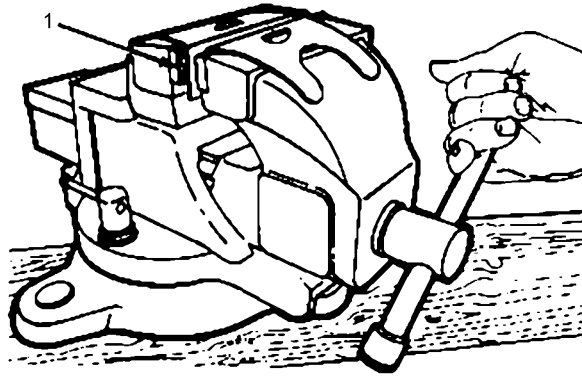
TO-32-1-101-228

The handsaw filing vise is a special purpose vise used for holding handsaws while they are being sharpened. It has jaws between 9-1/2 and 11 inches wide, and an attachment for holding a file at a constant angle.

18.3 USING A MACHINIST'S BENCH VISE.

WARNING

Make sure the vise is bolted securely to a bench or table and the swivel base is locked. Failure to comply could result in injury to, or death of, personnel or long term health hazards.

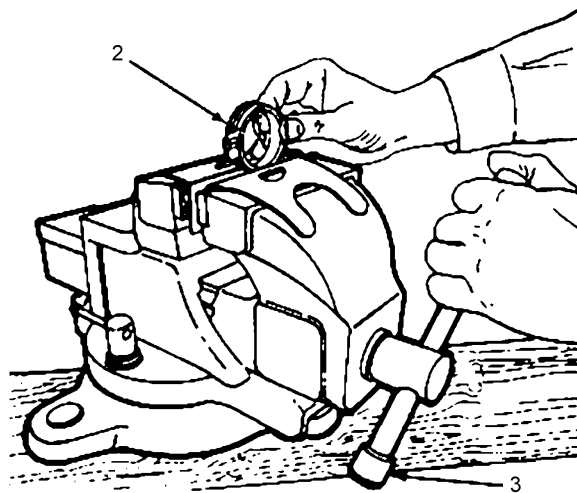


TO-32-1-101-229

- a. Open jaws (1) of vise wide enough to allow you to insert the object you want to clamp.

CAUTION

- Use brass or copper caps on vise jaws to protect soft material when clamping. Failure to comply could result in damage to, or destruction of, equipment or loss of mission effectiveness.
- Do not strike vise with a heavy object or try to hold large work in a small vise. Failure to comply could result in damage to, or destruction of, equipment or loss of mission effectiveness.
- A work surface, mounted with a machinist's bench vise, pipe vise, utility vise or a similar table vise shall be sufficiently stable or anchored to the floor to prevent the work surface from toppling during use of the vise. Failure to comply could result in damage to, or destruction of, equipment or loss of mission effectiveness.



TO-32-1-101-230

- b. Insert object (2) to be clamped between vise jaws and tighten handle (3).
- c. Work should be held firmly in place, but the jaws should not be so tight that they mar the finish. A piece of rawhide or leather may be used to protect highly polished surfaces.

NOTE

When holding hard material in vise jaws tightened by hand, give the vise handle a sharp rap for final tightening.

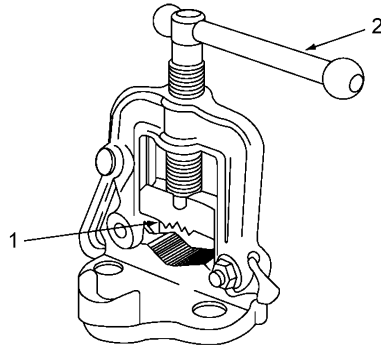
18.4 USING A PIPE VISE.

WARNING

Pipe ends are extremely sharp, handle with care. Failure to comply could result in injury to, or death of, personnel or long term health hazards.

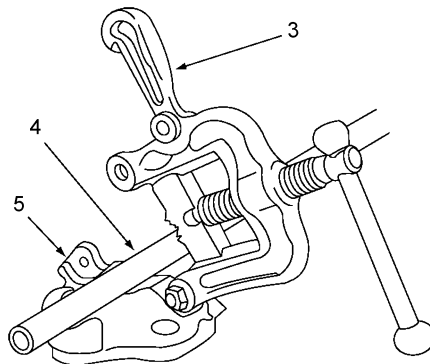
NOTE

The following procedure provides the steps required to fasten a piece of pipe in a hinged jaw pipe vise.



TO-32-1-101-231

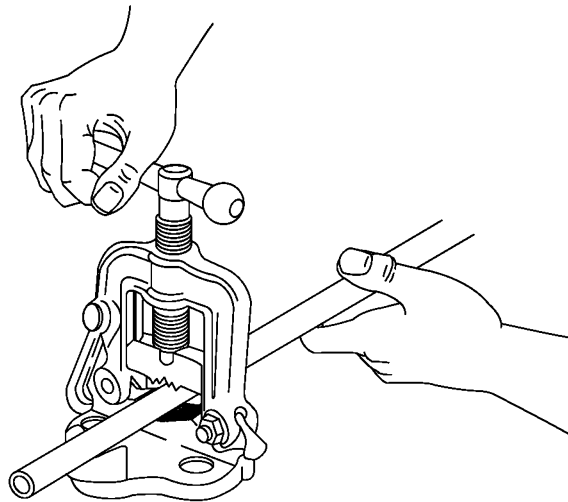
- a. Open the pipe-holding jaws (1) by turning the threaded T-handle (2).



TO-32-1-101-232

- b. Lift locking device (3) and open pipe vise.
- c. Insert section of pipe (4) in vise and close pipe vise, by pushing locking device against lip on the side of the lower holding jaw (5).

- d. Insert locking bolt through aligned holes of upper and lower lip jaws.



TO-32-1-101-233

CAUTION

- Do not apply too much pressure to copper or aluminum pipe.
- A work surface, mounted with a machinist's bench vise, pipe vise, utility vise or a similar table vise shall be sufficiently stable or anchored to the floor to prevent the work surface from toppling during use of the vise.

- e. Tighten the pipe holding jaws by turning the threaded T-handle.

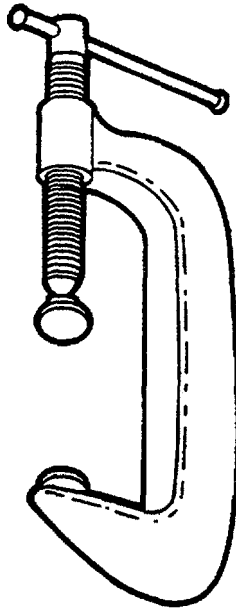
18.5 CARE OF VISES.

- a. Clean with a rag after each use, and apply a light coat of oil.
- b. Never strike a vise with a heavy object or try to hold large work in a small vise.
- c. Keep jaws in good condition.
- d. Never oil the swivel base or swivel joint, as this decreases its holding power.
- e. When not using a vise, bring the jaws lightly together and leave the handle in a vertical position. This will protect the jaws.

CHAPTER 19 CLAMPS

19.1 HOW TO CHOOSE AND USE CLAMPS.

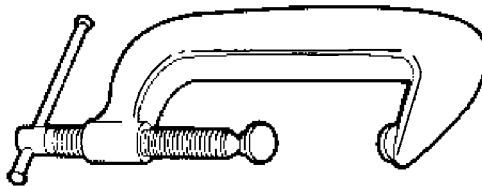
Types and Uses, Paragraph 19.2, provides you with a list of some of the types of clamps. These pages should help you select the right clamp to do the job. Using, Paragraph 19.3, tells you how to use the clamps to perform the desired function. Care, Paragraph 19.5, procedures tell you how to care for the items.



TO-32-1-101-234

19.2 CLAMPS TYPES AND USES.

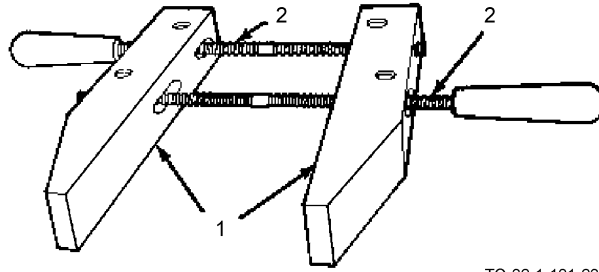
19.2.1 C-Clamps.



TO-32-1-101-235

C-clamps are used to hold work which cannot be held in a vise, or which has to be held for extended periods of time. They are available in a variety of sizes.

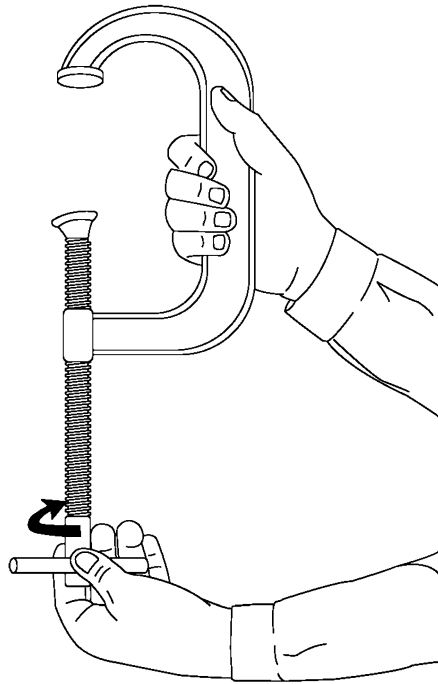
19.2.2 Hand Screw Clamps.



TO-32-1-101-236

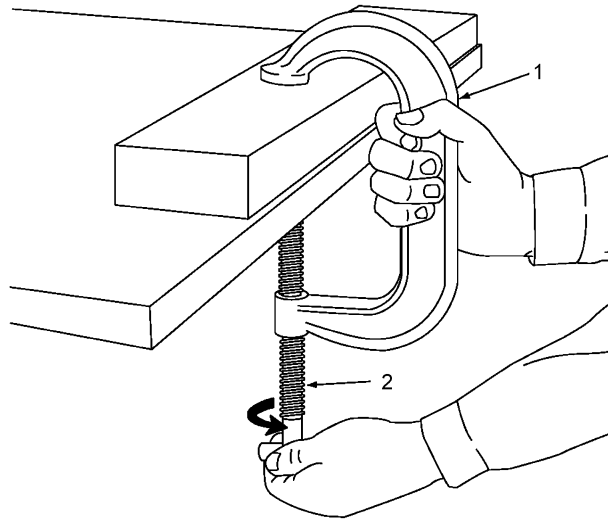
The hand screw clamp is made up of two hardwood or high impact plastic jaws (1) which hold the clamp together. The hand screw clamp is used for holding wood while gluing. They are available in a variety of sizes.

19.3 USING A C-CLAMP.



TO-32-1-101-237

- a. Select a clamp which has an opening about 1-1/2 to 2 inches wider than the material to be clamped. Glass and highly polished surfaces must be protected. Use brass shims or wooden blocks. Open clamp as wide as it will go.



TO-32-1-101-238

- b. Align work and protective blocks if required. Place clamp (1) in position, and tighten operating screw (2) until contact is made with material being clamped.
- c. Check alignment of material being clamped. Check that the clamp is applying even pressure over entire surface.

CAUTION

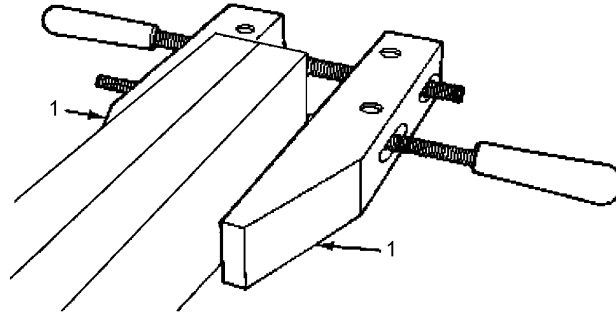
Do not use wrenches or bars to tighten clamps. Failure to comply could result in damage to, or destruction of, equipment or loss of mission effectiveness.

- d. Tighten clamp against surface.

19.4 USING A HAND SCREW CLAMP.

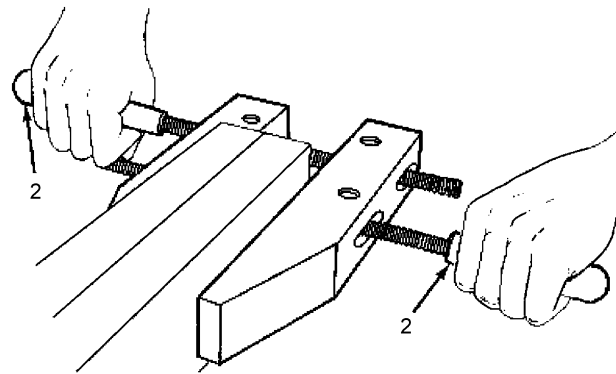


- Use only on wood. Failure to comply could result in damage to, or destruction of, equipment or loss of mission effectiveness.
- Examine material to be clamped and select a clamp which will span across the work.



TO-32-1-101-239

- a. Open the clamp jaws (1) and place the work between the jaws. Keep jaws parallel. Use rawhide or soft leather to protect highly polished surface.

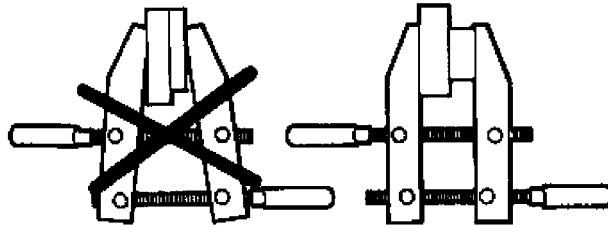


TO-32-1-101-240



Make sure vise jaws remain parallel to edges of work. Failure to comply could result in damage to, or destruction of, equipment or loss of mission effectiveness.

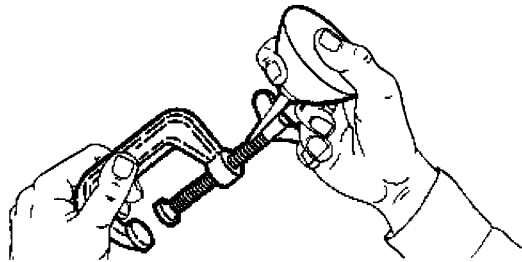
- b. Tighten operating screws (2) making sure the clamp jaws remain parallel. Be sure jaws fit firmly on work. Properly clamped work will form a square.



TO-32-1-101-241

19.5 CARE OF C-CLAMPS.

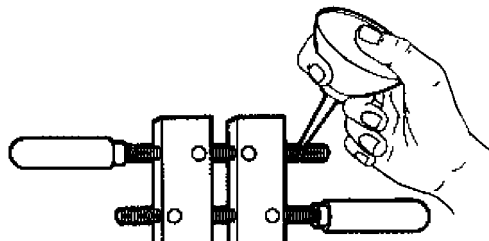
- a. Clean threads and swivel with a rag, and lubricate with a light coat of oil.
- b. Store on a rack, on pins, or in a tool box. For long storage periods, apply a rust-preventive compound.



TO-32-1-101-242

19.6 CARE OF HAND SCREW CLAMPS.

- a. Lubricate screws with a few drops of light oil. Apply light coat of linseed oil to wood surfaces.
- b. Store clamps on racks, pins, or carefully place them in your tool box. Wipe clamps off with a rag before storing.

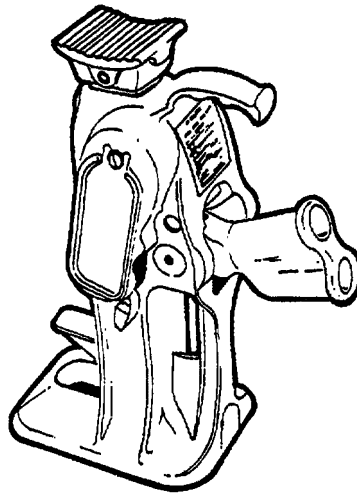


TO-32-1-101-243

CHAPTER 20 JACKS

20.1 HOW TO CHOOSE AND USE JACKS.

Types and Uses, Paragraph 20.2, provides you with a list of some of the types of jacks. These pages should help you select the right jack to do the job. Using, Paragraph 20.4, tells you how to use the jack to perform the desired function. Care of Jacks, Paragraph 20.6, tells you how to care for the items.

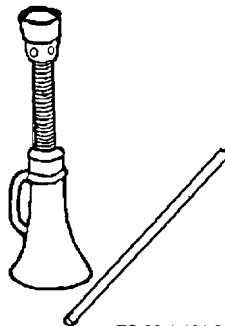


TO-32-1-101-244

20.2 JACK TYPES AND USES.

Jacks are used to raise or lower work and heavy loads short distances. Some jacks are used for pushing and pulling operations. Others are used for spreading and clamping operations.

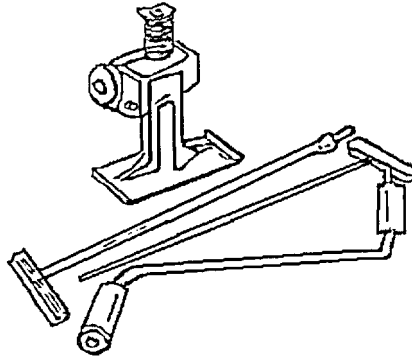
20.2.1 Screw Jacks. Vertical screw jacks come in several capacities and different lowered and raised heights. The screw moves up or down, depending on the direction the handle is turned. These jacks are used for many different purposes. They can be used to lift vehicles. They can also be used to raise heavy crates, small buildings, or other items too heavy to be raised by prying with wrecking bars.



TO-32-1-101-245

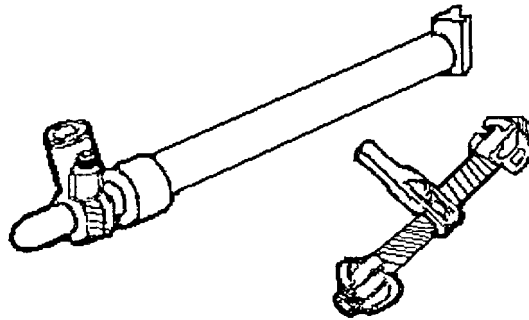
The vertical bell base screw jack is operated by hand using a steel bar handle which is inserted in the holes of the top

housing or head.



TO-32-1-101-246

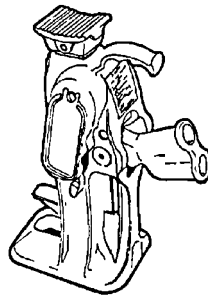
The vertical screw jack with collapsible handle is operated by hand using the collapsible handle which is inserted in a socket.



TO-32-1-101-247

Another type of screw jack is called an outrigger jack. It is equipped with end fittings which permit pulling parts together or pushing them apart.

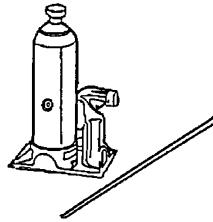
20.2.2 Ratchet Lever Jacks.



TO-32-1-101-248

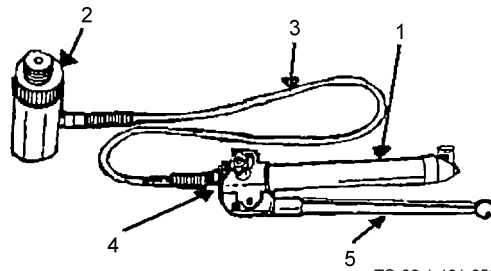
A vertical ratchet lever jack has a rack bar that is raised or lowered through a ratchet lever. Some are equipped with a double socket, one for lowering, one for raising. Others have one socket and have an automatic lowering feature. An outrigger ratchet jack is ratchet operated and has an extra reverse ratchet handle and a base plate.

20.2.3 Hydraulic Jacks.



TO-32-1-101-249

A hydraulic jack operates through pressure applied to one side of a hydraulic cylinder which moves the jack head. These jacks are automatically lowered by releasing the pressure. Vertical hydraulic jacks come in a variety of types, in capacities from 3 to 100 tons, having different extended heights.

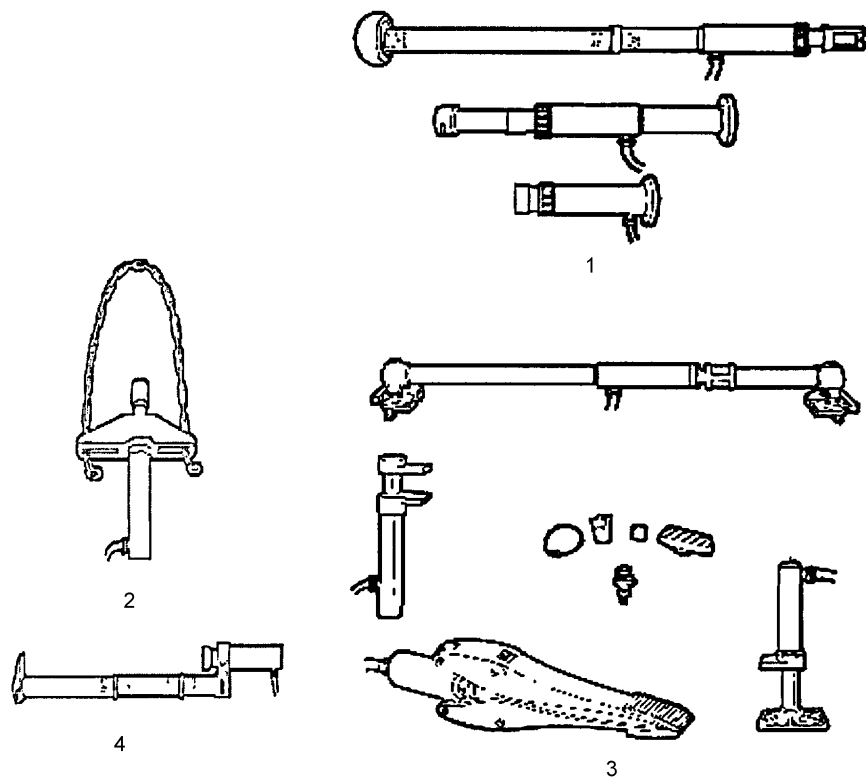


TO-32-1-101-250

A push-pull hydraulic jack consists of a pump (1) and ram (2) connected by a hydraulic or oil hose (3). These jacks are rated at 3, 7, 20, 30, and 100 ton capacities and have many different applications. The push-pull hydraulic jacks are furnished with an assortment of attachments that enable you to perform countless pushing, pulling, lifting, pressing, bending, spreading, and clamping operations. The pump is hand operated. Simply turn the control valve (4) on the side of the pump clockwise, stroke the hand lever (5) up and down and the ram will extend. The flexible hydraulic or oil hose allows you to operate the ram from a safe distance in any desired position. The ram retracts automatically by turning the control valve counter clockwise. The attachments can be threaded to the end of the plunger, to the ram body, or into the ram base. Illustrated below are some standard combinations of the push-pull hydraulic jack attachments for various operations.

- Jack pushing combinations.
- Jack pulling combinations.
- Jack spreading combinations.

- Jack clamping combinations.



TO-32-1-101-251

20.3 SAFETY.

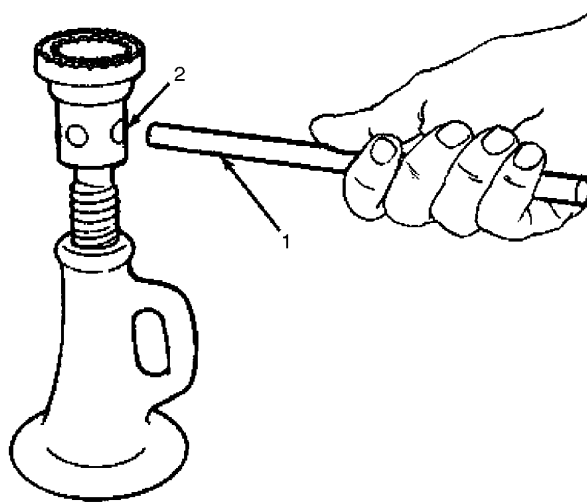
- Keep fingers away from all moving parts.

WARNING

Never get under a load that is only supported by a jack. Any jack is subject to failure and personal injury could result.

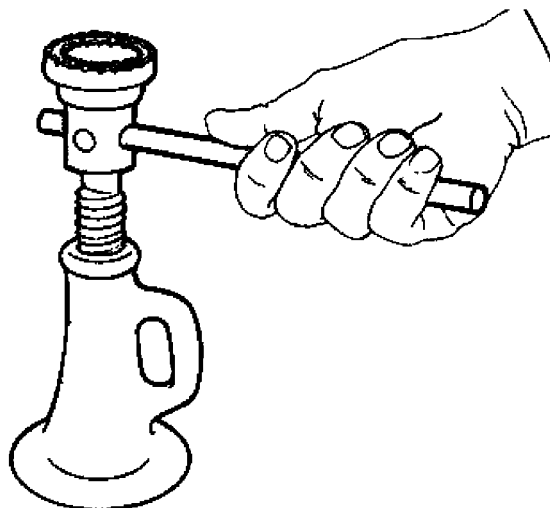
- When jacking up vehicles, make certain no one is under the vehicle to be raised. Set the hand brake firmly and block the front wheels if a rear wheel is being changed. Block the rear wheels if a front wheel is being changed. Place blocking or other supports under the vehicle when it is raised to the desired height to prevent it from dropping if the jack fails.
- Make certain that hydraulic jacks are filled with oil and that there are no visible oil leaks before using.
- Any new or repaired jack should be carefully inspected by the operator prior to use.
- Overloading can be hazardous to the jack, the operating personnel, and the load in event of jack failure.
- Be aware of the capabilities of the jack, especially its load capacity.

20.4 USING A BELL BASE SCREW JACK.



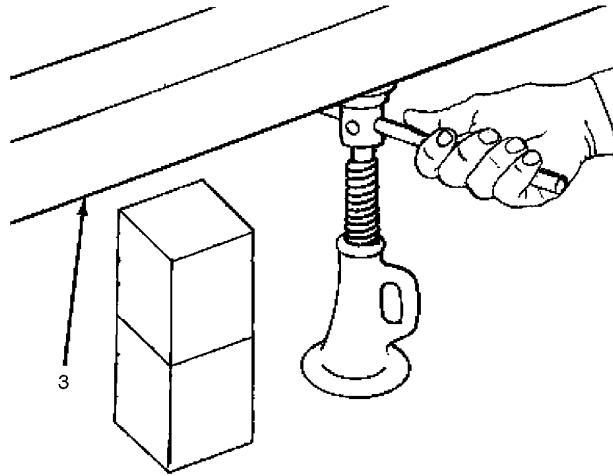
TO-32-1-101-252

- a. Insert the handle or bar (1) in the hole in the top housing or head (2).



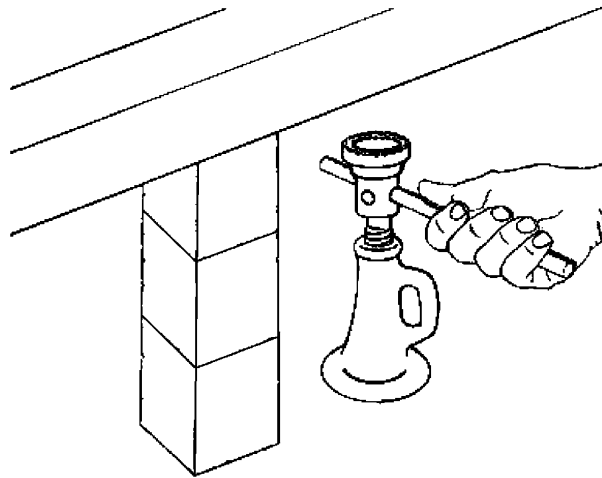
TO-32-1-101-253

- b. Turn or push the handle to the right to raise the jack, to the left to lower the jack.



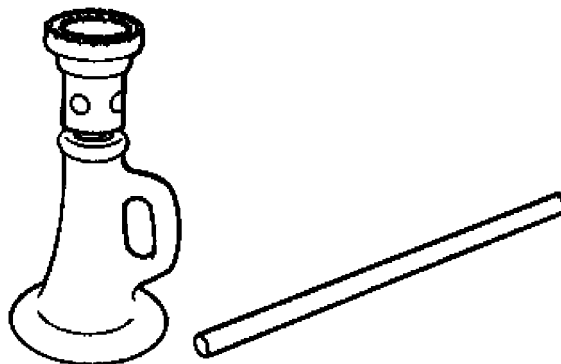
TO-32-1-101-254

- c. The jack will raise the load (3) with every degree turned on the handle.



TO-32-1-101-255

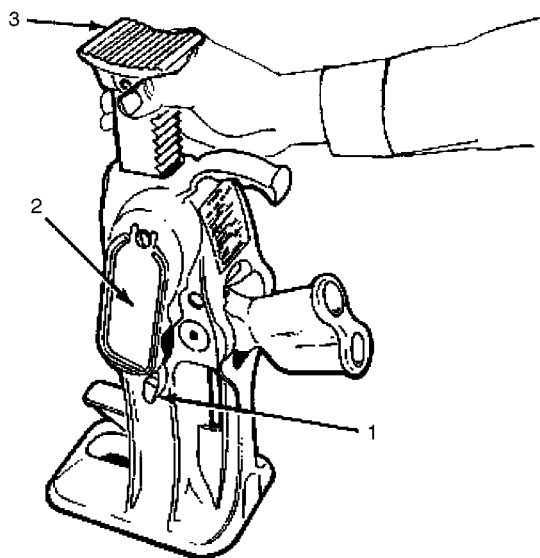
d. Block the load to withdraw the jack.



TO-32-1-101-256

e. Screw the jack all the way down in the lower housing and withdraw the handle or bar for storage upon completion of the job.

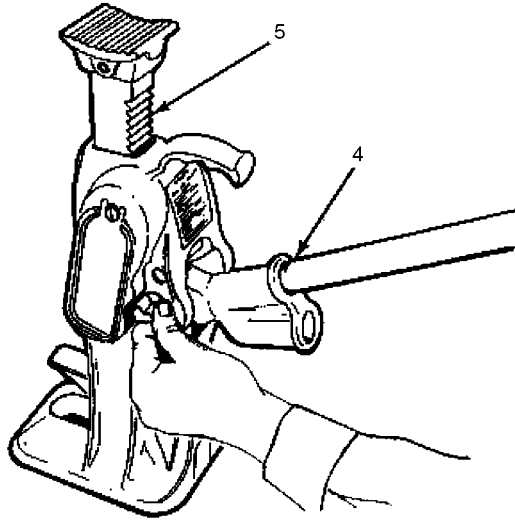
20.5 USING A RATCHET LEVER JACK.



TO-32-1-101-257

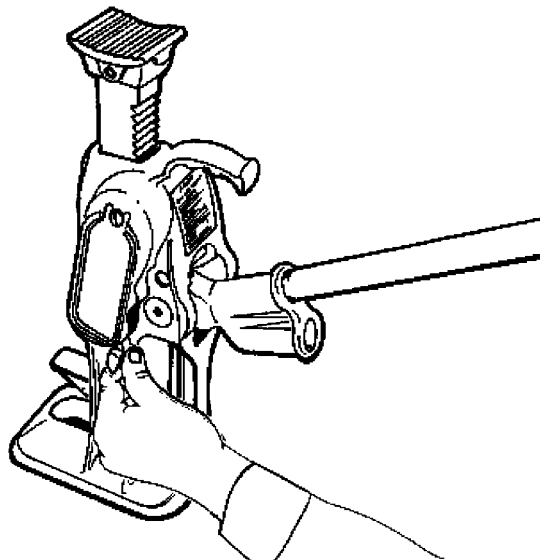
AIR FORCE AIR FORCE TO 32-1-101
ARMY ARMY TM 9-243
MARINE CORPS MARINE CORP TM 10209-10/1
NAVY (NAVAIR) NAVY M6290-AJ-MAN-1010

- a. The operator should familiarize himself with the jack, its capabilities and its operations. The reversing lever (1) is located below the lifting mechanism cover (2) on the left side of jack when viewed from the lifting lever. When preparing to lift a load, the head (3) can be pulled up by hand to meet the load.



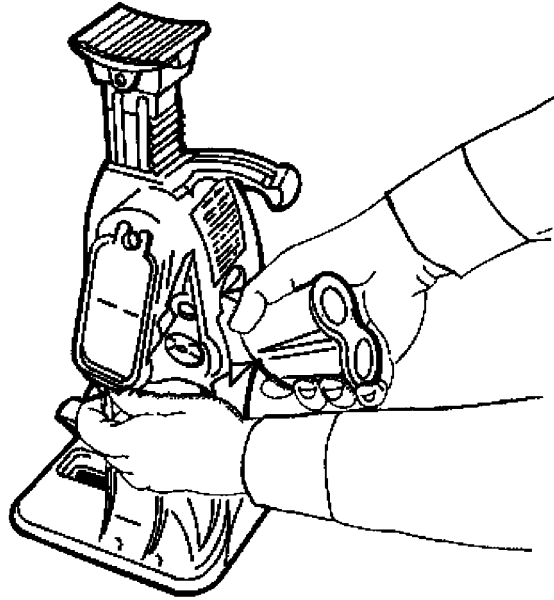
TO-32-1-101-258

- b. To raise a load, pull reversing lever up and toward the operator and operate the lever (4). The jack will raise the load one notch for each lever downstroke. The rack (5) cannot be ratcheted out of the base, as it is designed to stop when raised to its top limit.



TO-32-1-101-259

- c. To lower a load, push reversing lever to straight-down position and operate the lever. The jack will lower the load one notch for each upstroke of the lever.



TO-32-1-101-260

- d. When the head of the five-ton jack is not supporting a load, the rack can be allowed to fall free by pressing the reversing lever all the way to the rear and slightly lifting up on the lifting lever. The rack will not fall free if even a slight load is still on the head.

20.6 CARE OF JACKS.

- a. Coat all surfaces with a thin film of light oil when not in use.
- b. For long periods of storage, the jacks should be covered with a rust-preventive compound and stored in a dry place.
- c. Periodically check hydraulic fluid level in push-pull hydraulic jacks. Stand the pump on end before taking out the fill plug, then fill with oil. Make sure the ram is in the retracted position when checking level of oil and when filling.
- d. Ratchet lever jacks should be well greased. A thin coat applied with hand or brush is sufficient for all movable parts except the bushings. The bushings should be filled with grease in the small hole provided for greasing purposes. Keep rack sides and front greased, but do not grease the rack teeth.

CHAPTER 21

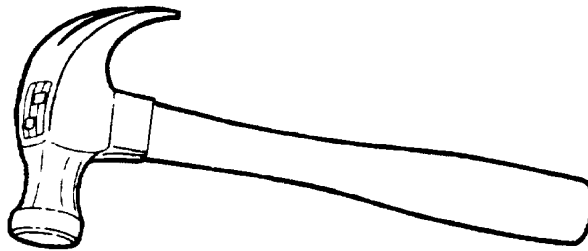
HAMMERS, MALLETS AND MAULS

21.1 HOW TO CHOOSE AND USE HAMMERS, MALLETS AND MAULS.

WARNING

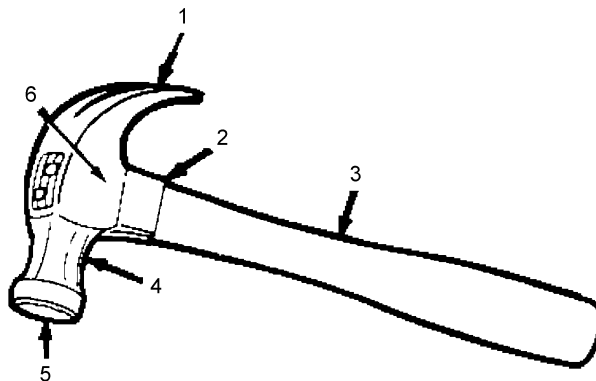
- Eye protection will be worn when using all types of metal-face hammers, soft-face hammers and rubber mallets when there is a danger of flying objects. Failure to comply could result in injury to, or death of, personnel or long term health hazards.
- Do not etch on fiberglass handles using traditional method such as, electric engraving tool, pencil grinder, or any method that would produce an abrasion, thus weakening the handle. Laser etching, for the purpose of engraving ID/Serial Number, is the only method permitted for engraving on fiberglass handles. Failure to comply could result in injury to, or death of, personnel or long term health hazards.

Types and Uses, Paragraph 21.2, provides you with a list of the more common types of hammers. These pages should help you select the right hammer for the job. Care and Safety, Paragraph 21.3, tells you how to keep your tools in proper condition and how to use them safely. Using Hammers, Paragraph 21.4, tells you how to perform a specific task using the carpenter's, machinist's and soft-faced hammers.



TO-32-1-101-261

There are many more uses for these hammers, however. By becoming familiar with the uses outlined, you will build a good background for using any hammer. The "Repair" pages tell you how to replace a wooden handle. Parts of a hammer are as follows:



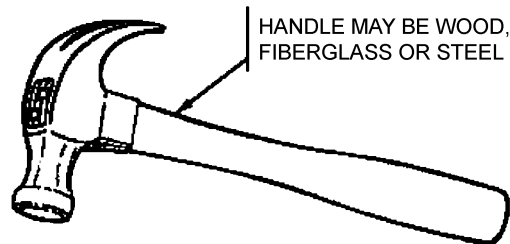
TO-32-1-101-262

21.2 HAMMERS, MALLETS AND MAULS TYPES AND USES.

21.2.1 Carpenter's Hammer.



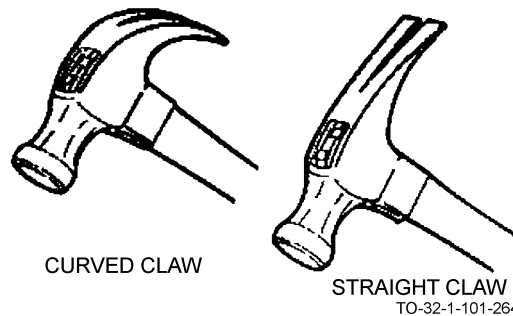
- Never use a claw hammer on a steel punch or on hardened steel-cut or masonry nails. The face is too soft and could chip.
- Be sure to check for a loose head or a cracked handle before use.



HANDLE MAY BE WOOD,
FIBERGLASS OR STEEL

TO-32-1-101-263

The carpenter's hammer is used for driving and pulling nails and tapping wood chisels. There are two types of claws.

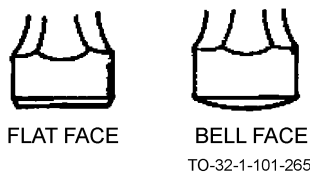


CURVED CLAW

STRAIGHT CLAW

TO-32-1-101-264

There are two types of striking faces.



FLAT FACE

BELL FACE

TO-32-1-101-265

NOTE

When using a flat-faced hammer to drive a nail, the nail head must be square with the face of the hammer at time of impact. The bell-faced hammer offers a uniform face to the nail head even though the hammer face is slightly tipped at time of impact. Hammers come in 7, 13, 16 and 20-ounce sizes. Your selection should be based upon the following: flat face for rough work, or bell face for finishing work where you don't want dents in the finish. The straight claw is generally used for ripping and framing. The curved claw is preferred for general use.

21.2.2 Machinist's Peen Hammer. All machinist's peen hammers have a flat striking face on one end of the head for striking punches and chisels. The other end of the head can be one of the following:



TO-32-1-101-266

A ball peen hammer is used for forming soft metal, peening rivet heads, and striking metal in out-of-the-way places.



TO-32-1-101-267

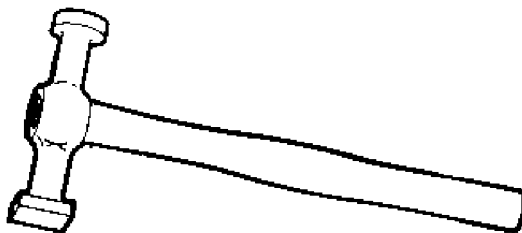
A cross peen hammer is used as a chisel for removing rivet heads and for stretching or bending metal.



TO-32-1-101-268

A straight peen hammer is used like the cross peen but differs from the cross peen since its peening edge is turned ninety degrees. This keeps the handle parallel to the struck surface.

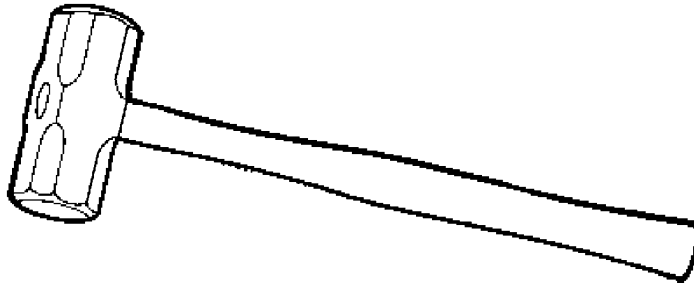
21.2.3 Bumping Body Hammer.



TO-32-1-101-269

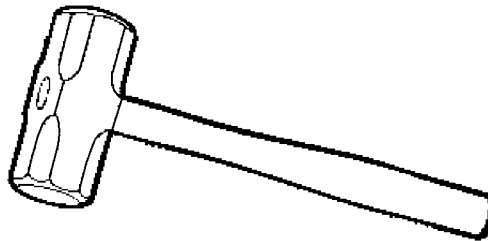
A bumping body hammer is used to straighten and form metal.

21.2.4 Blacksmith's or Sledge Hammers. Blacksmith's or sledge hammers are used for striking punches and chisels, for breaking stones and concrete, and for setting timbers. These hammers, although similar to the machinist's hammers, give the user the advantage of a heavier head and a longer handle.



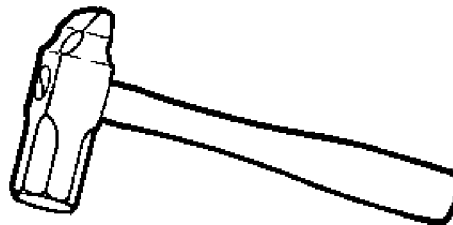
TO-32-1-101-270

A double face sledge hammer has similar faces on both sides of the head.



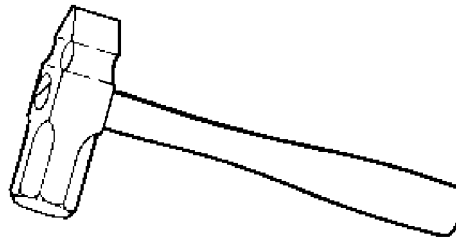
TO-32-1-101-271

The club hammer is a heavy double-faced demolition hammer. It is primarily used to break up masonry.



TO-32-1-101-272

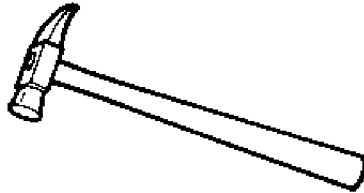
Cross peen hammers have a broad flat face on one side of the head and a peening chisel edge on the other side.



TO-32-1-101-273

The straight peen is similar to the cross peen except that its peening edge is turned ninety degrees. This keeps the handle parallel to the struck surface.

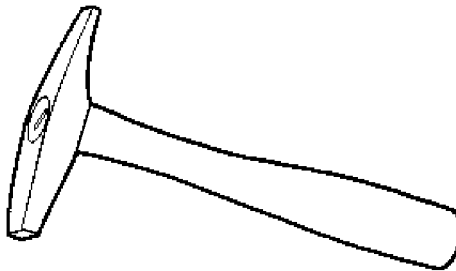
21.2.5 Jeweler's Hammer.



TO-32-1-101-274

The jeweler's hammer has a lightweight head weighing between 1-3/4 and 2 ounces. It is used to drive pins and shafts from precision instruments.

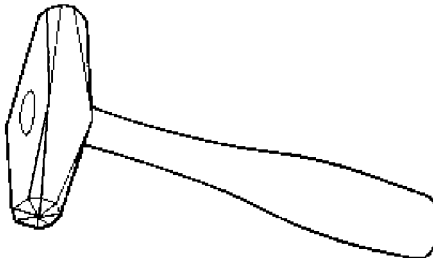
21.2.6 Mason's Hammer.



TO-32-1-101-275

The mason's hammer has a flat striking face on one end of the head and a tapered chisel on the other end. It is used for setting and cutting bricks and flat stones.

21.2.7 Napping Hammer.



TO-32-1-101-276

The napping hammer has a high carbon steel head with two tapered faces and weighs about 3 pounds. It is used for chipping stone surfaces or for forming stones during road construction or similar stone work.

21.2.8 Riveting Hammer.

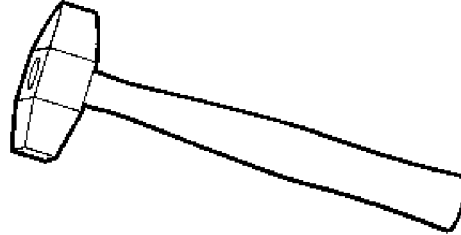


TO-32-1-101-277

The riveting hammer has a round face on one end of the head. It is used for peening rivet heads. The other end has a

tapered chisel which is used for upsetting rivets.

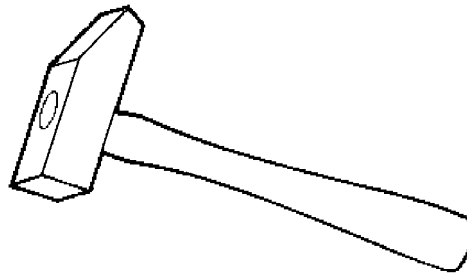
21.2.9 Sawmaker's Hammer.



TO-32-1-101-278

The sawmaker's hammer has a tapered blunt face on one end of the head and a tapered chisel face on the other end. It is used for setting the teeth on saws when a setting tool is unavailable.

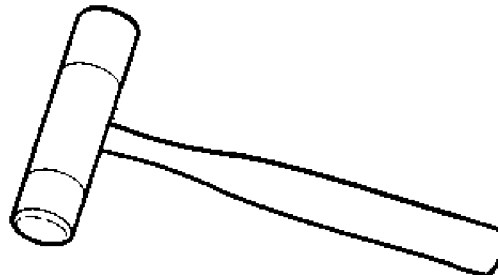
21.2.10 Setting Hammer.



TO-32-1-101-279

The setting hammer has a square flat face on one end of the head and a sloping beveled edge on the other end. It is used in sheet metal work for leveling and bending edges and for setting double seams.

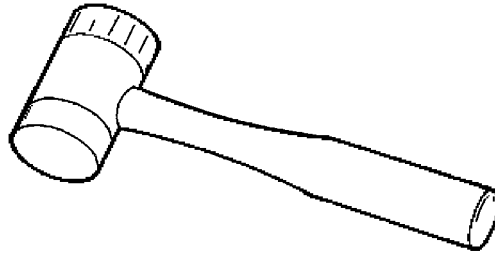
21.2.11 Soft-Faced Hammer.



TO-32-1-101-280

Soft-faced hammers are capable of delivering heavy blows to machined, highly polished or soft surfaces without damaging the surface.

21.2.12 Lead or Copper Hammer.

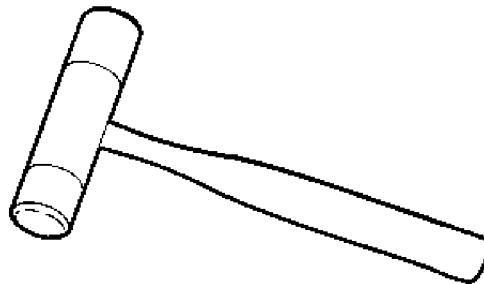


TO-32-1-101-281

Lead or copper hammers are usually used for aligning steel surfaces. Copper hammers range in head weight from 8 ounces up to 3 pounds. Working surfaces of lead and copper hammers may be filed to restore even faces. Molds are available for repouring lead hammers.

21.2.13 Inserted Soft-Faced Hammer. Inserted soft-faced hammers provide the user with a dual purpose hammer. Any two faces may be assembled on a single handle holder. The following tables will assist you in selecting the proper face hardness for the task you are attempting:

<u>Hardness</u>	<u>Symbol</u>	<u>Color</u>
Soft	S	Brown
Medium	M	Red
Tough	T	Green
Medium Hard	N	Cream
Hard	H	Black
Extra Hard	XH	Yellow



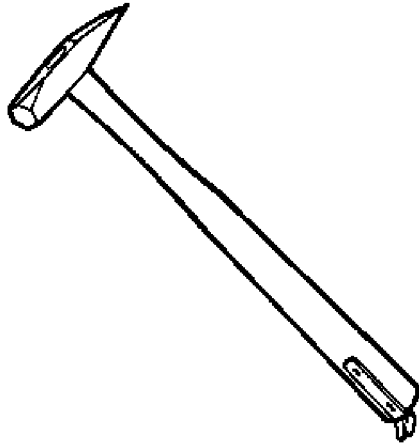
TO-32-1-101-282

Faces and handle holders are available in 1 inch, 1-1/2 inch, 2 inch, 2-1/2 inch and 3 inch diameters.

<u>Type</u>	<u>Soft</u>	<u>Medium</u>	<u>Tough</u>	<u>Medium Hard</u>	<u>Hard</u>	<u>Extra Hard</u>
Soft Rubber	S					
Wood	S	M		N		
Rubber		M				
Hard Wood			T			
Lead			T	N		
Plastic			T		H	
Rawhide		M	T	N	H	XH
Micarta					H	XH
Fibre					H	XH
Copper						XH

AIR FORCE AIR FORCE TO 32-1-101
ARMY ARMY TM 9-243
MARINE CORPS MARINE CORP TM 10209-10/1
NAVY (NAVAIR) NAVY M6290-AJ-MAN-1010

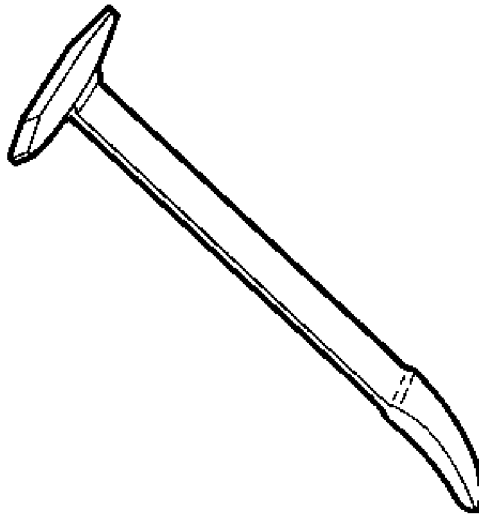
21.2.14 Trimmer's Hammer.



TO-32-1-101-283

The trimmer's hammer has a round flat face on one end of the head and has a tapered chisel face on the other end. A claw is attached on the end of the handle and is used for pulling tacks. It is used for installing tacks and brads.

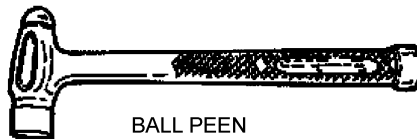
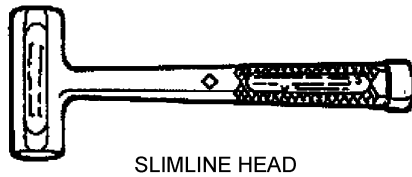
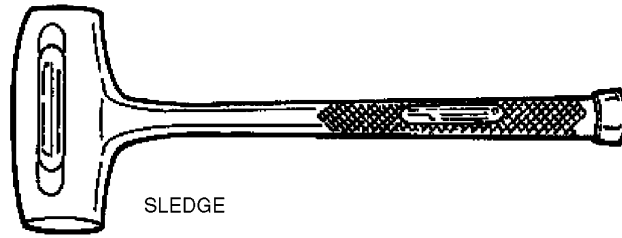
21.2.15 Welder's Hammer.



TO-32-1-101-284

The welder's hammer has one or two tapered chisel faces. Those having only one tapered face have a replaceable brush attached. The hammer face is used for chipping welds, while the brush is used for cleaning welds and brushing away the slag chipped from the weld.

21.2.16 Dead Blow Hammers.

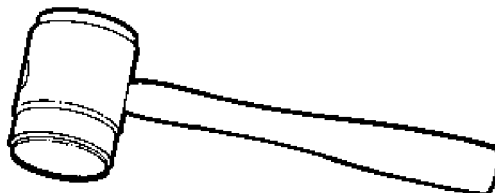


TO-32-1-101-285

The dead blow hammer is a shot-filled, rubber encased, singlepiece hammer. It features a wrap-around grip and a flanged butt. Four basic types of dead blow hammers are currently in use. They are: the standard head, slimline head, sledge, and ball peen. Some advantages of the dead blow hammers are greater striking power, and the elimination of broken heads and splintered handles.

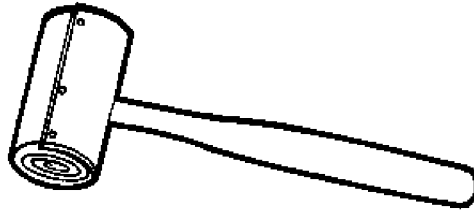
21.2.17 Mallets.

21.2.17.1 Carpenter's Mallet.



The carpenter's mallet has a cylindrical wooden head often bound with thin metal bands for support. It is used for driving dowels, small stakes, wooden handled chisels and for forming and shaping sheet metal.

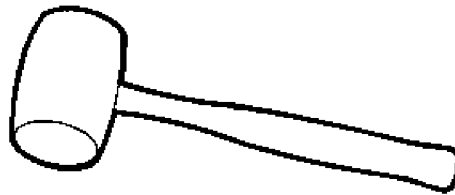
21.2.17.2 Rawhide Mallet.



TO-32-1-101-287

The rawhide mallet has a cylindrical head which is made by tightly wrapping and staking a sheet of leather. It is used for forming and shaping sheet metal.

21.2.17.3 Rubber Mallet.



TO-32-1-101-288

The rubber mallet has a cylindrical rubber head. It is used for forming sheet metal, driving dowels, and small stakes.

21.2.17.4 Tinner's Mallet.

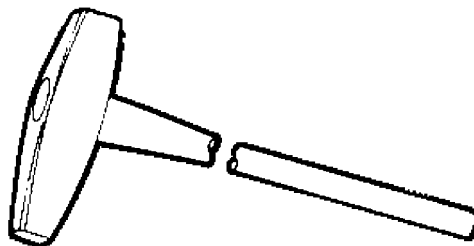


TO-32-1-101-289

The tinner's mallet has a cylindrical wooden head which is from 1-1/4 to 3-1/2 inches in diameter and from 3 to 6 inches in length. It is used to form and shape sheet metal.

21.2.18 Mauls.

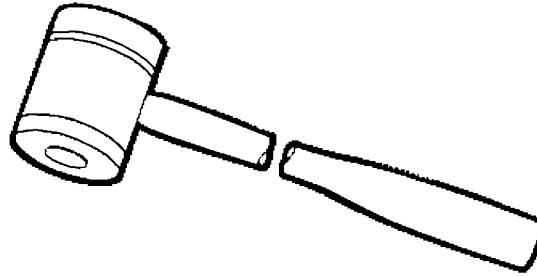
21.2.18.1 Railroad Track Maul.



TO-32-1-101-290

The railroad track maul has a flat faced tapered head which weighs about 10 pounds. They are used for driving railroad track spikes.

21.2.18.2 Wooden Maul.



TO-32-1-101-291

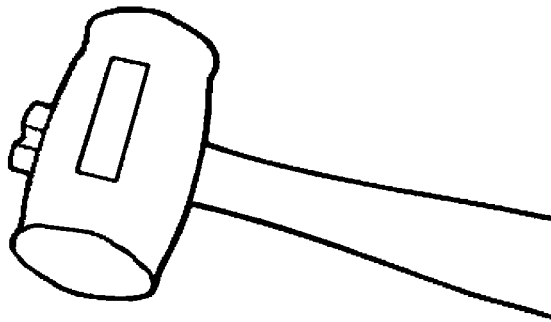
The wooden maul has a cylindrical head which is about 8 inches in diameter and about 10 inches long. It is used to drive wooden pickets, posts and stakes.

21.3 HAMMERS, MALLETS AND MAULS SAFETY.

WARNING

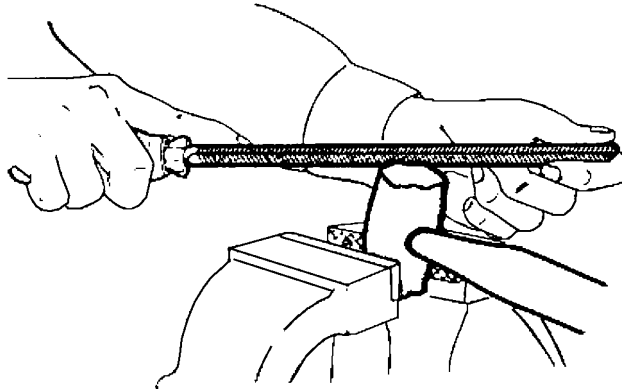
Never, never use an unsafe hammer. Before using, check for loose head or a cracked handle. Do not use handle as a pry bar, or to knock sharp edges together. Failure to comply could result in injury to, or death of, personnel or long term health hazards.

- a. Inspect the faces of steel hammers for wear, dents, or chips. They can be dangerous if chips fly off.
- b. Replace the hammer if these conditions are found.



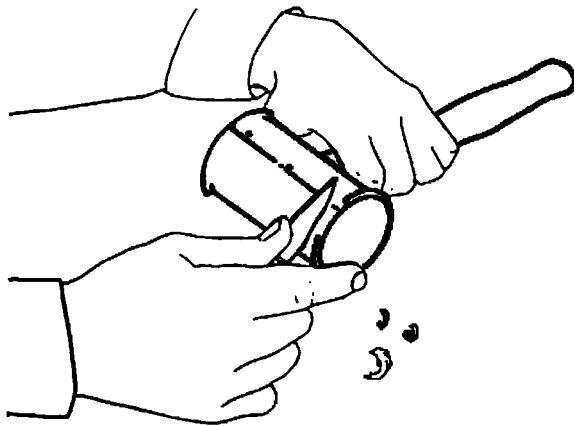
TO-32-1-101-292

- c. Inspect copper, lead, plastic, or rawhide mallets for “mushrooming.”



TO-32-1-101-293

- d. File edges of copper, lead or plastic mallets down to the original shape.



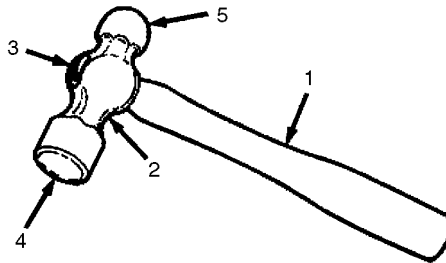
TO-32-1-101-294

- e. Trim a rawhide mallet with a knife.

21.3.1 Specific Steps to Take.

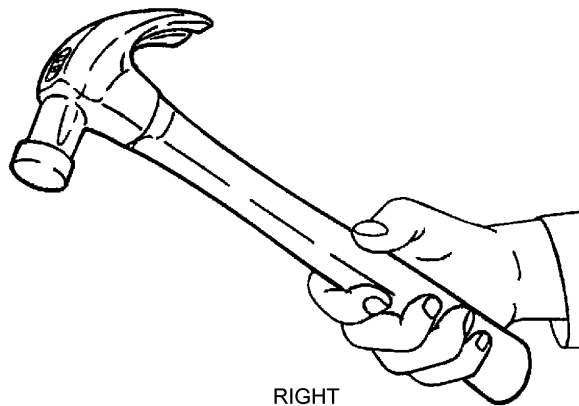
- a. Make sure handle (1) is tight in head (2). Do not tape a cracked handle. REPLACE IT.
- b. Make sure wedges (3) are in handle (1), keeping head (2) tight on handle. USE ONLY CORRECT WEDGES.

c. Make sure striking face (4) and ball peen (5) are free of oil.



TO-32-1-101-295

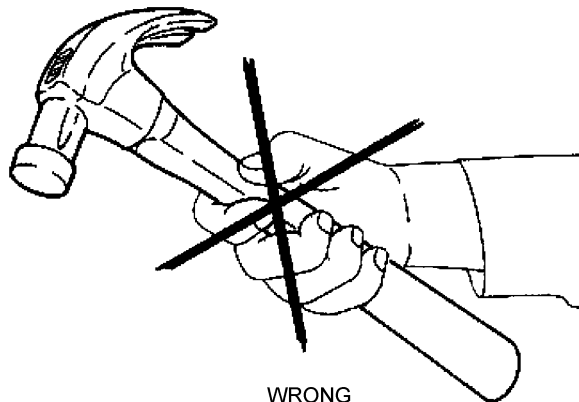
21.4 USING HAMMERS.



RIGHT

TO-32-1-101-296

The proper way to hold any hammer is near the end of the handle. The handle is shaped for gripping without slipping from your grasp at this position, and gives the best control and impact with least effort. Strike nail or tool squarely and on center to prevent the hammer from glancing off.



WRONG

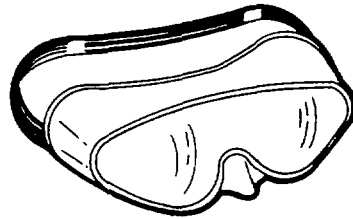
TO-32-1-101-297

The wrist and arm motion depends on the power of the impact required. Small nails require light blows almost entirely from a wrist motion. Heavy blows, needed to drive a large nail or other similar task, come from the wrist, forearm and shoulder.

21.4.1 Using a Carpenter's Hammer.

WARNING

Wear eye protection and watch the fingers. Failure to comply could result in injury to, or death of, personnel or long term health hazards.

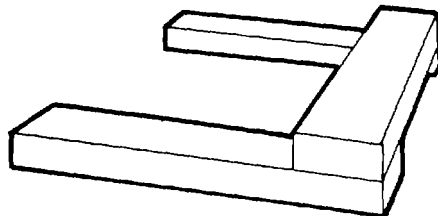


TO-32-1-101-200

CAUTION

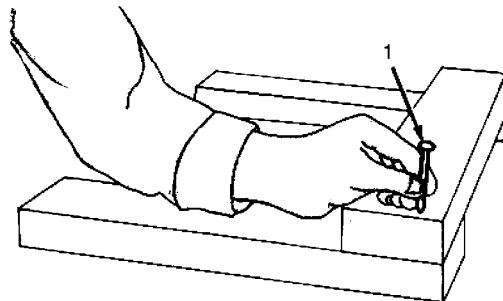
- Never use a claw hammer on a steel punch or on hardened steel-cut or masonry nails. The face is too soft and could chip. Failure to comply could result in damage to, or destruction of, equipment or loss of mission effectiveness.
- Be sure to check for a loose head or a cracked handle before use. Failure to comply could result in damage to, or destruction of, equipment or loss of mission effectiveness.

The following set-up is established to provide practice driving nails successfully.



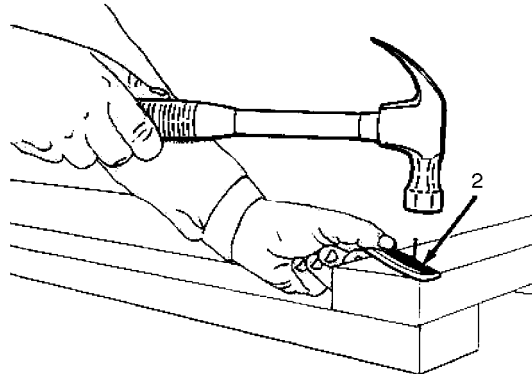
TO-32-1-101-298

- a. Lay two pieces of wood parallel to each other. Place a third piece on top and align so that the edges are even.



TO-32-1-101-299

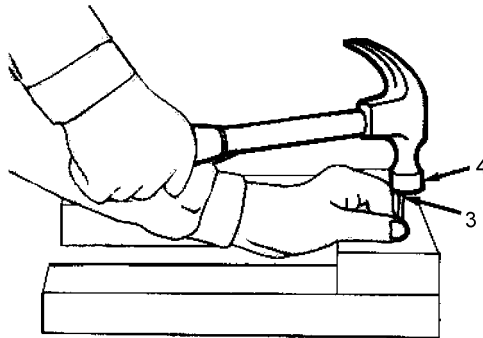
- b. Support a common nail (1) between thumb and first finger about halfway up the nail.



TO-32-1-101-300

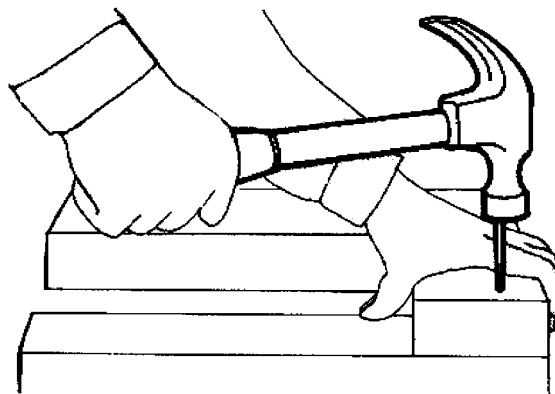
NOTE

A piece of paper or a comb (2) can be used to hold small nails.



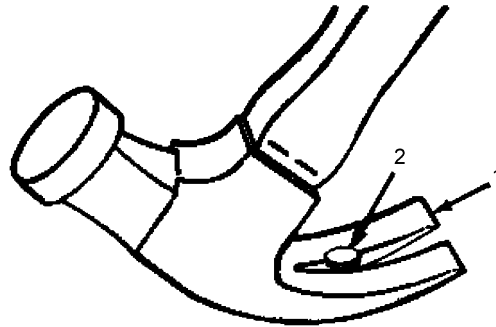
TO-32-1-101-301

- c. Tap nail head (3) with hammer face (4) until the nail will remain standing by itself.

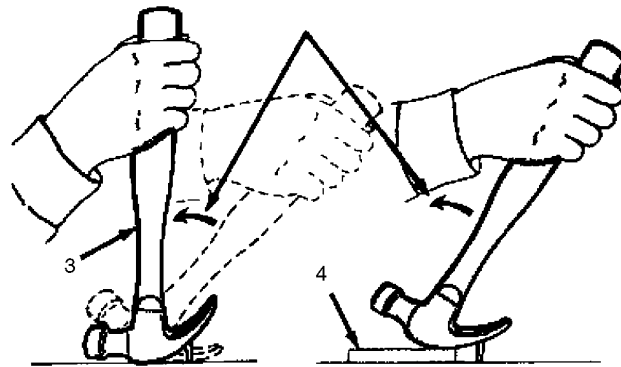


TO-32-1-101-302

- d. Remove fingers and drive nail flush. Make sure the hand supporting the work is not in direct line with the hammer blows.



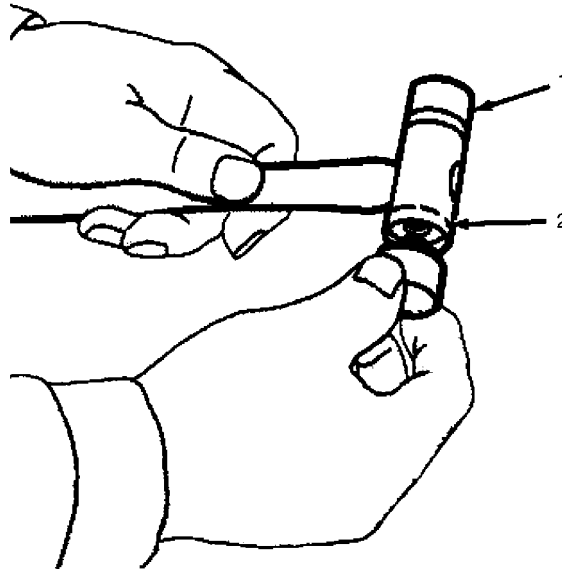
TO-32-1-101-303



TO-32-1-101-304

- e. The claw end (1) of the hammer is for pulling nails or prying boards. Slip the claw under the nail head (2) as far as it will go, to prevent bending the head up.
- f. Pull the handle (3) to a vertical position to withdraw the nail.

g. For longer nails, place a block of wood (4) under the head for better leverage.

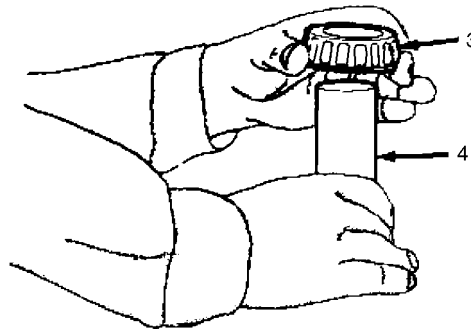


TO-32-1-101-305

NOTE

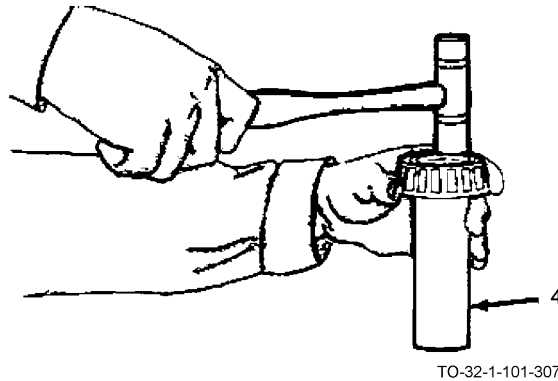
The following procedure is only one of many uses of a soft-faced hammer.

h. Make sure faces (1) are tight in holder (2).



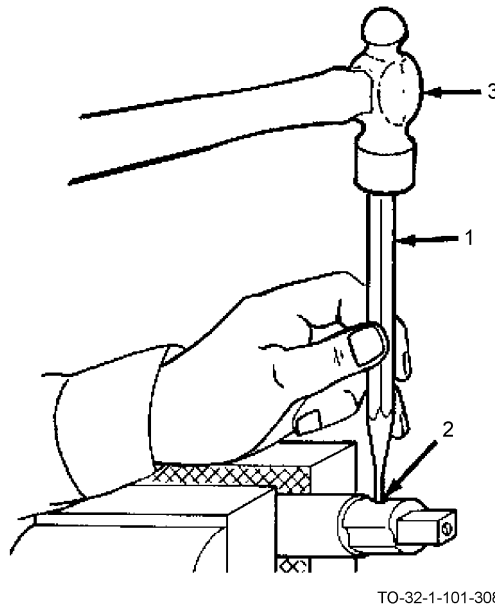
TO-32-1-101-306

- i. Unwrap bearing (3) and center over shaft (4).



- j. While supporting bearing with left hand, use soft-faced hammer to tap in a circular motion until edge of bearing is flush with shaft (4).

21.4.2 Using a Mechinist's Ball Peen Hammer.



NOTE

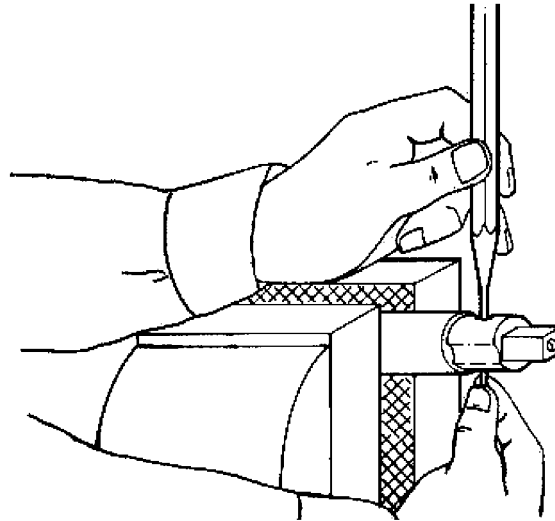
The following procedure is one of many uses of the machinist's hammer.

- a. To remove a spring pin from a shaft, select a drift punch about the same diameter as the pin and a machinist's hammer having a face larger than the punch head.

- b. Hold punch (1) in your left hand centered over pin (2), tap punch lightly with hammer (3). This should move the pin.

NOTE

It may be necessary to apply penetrating oil to the pin before it will move.



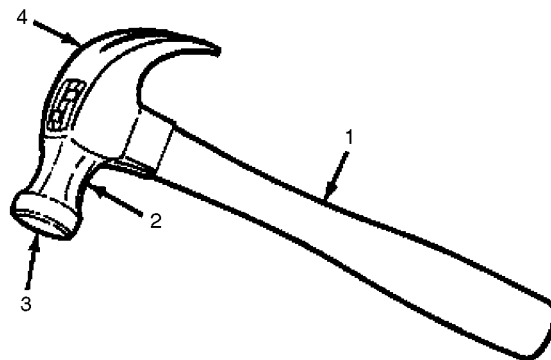
TO-32-1-101-309

- c. Catch the pin in your right hand before it falls out of the shaft.

NOTE

After the pin is about halfway out of the shaft, you should not hold the punch.

21.5 CARE OF HAMMERS.

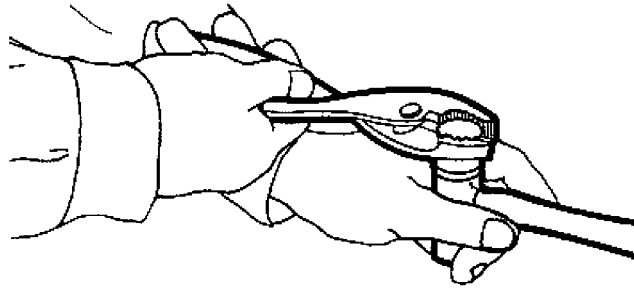


TO-32-1-101-310

- a. Check for cracks in handle (1). Replace handle if cracked. Check for loose head (2). Replace missing or makeshift wedges to be sure head is tight. If not tight, replace handle.
- b. Periodically rub a small amount of linseed or mineral oil into the wood handles (1) to prevent the wood from drying out and shrinking.

- c. Replace hammer if it has a worn or chipped face (3) or claw (4).
- d. Lightly lubricate metal parts when storing the hammer for a lengthy period.
- e. Wipe oil and grease from rubber mallets to prevent damage to rubber.

21.5.1 Care of Inserted Face Hammers.

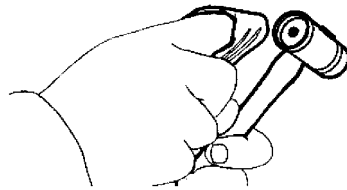


TO-32-1-101-311

- a. Broken or chipped faces may be removed by turning in a counterclockwise direction.

NOTE

Use a pair of pliers or a rag on broken faces to prevent scraping your hands.

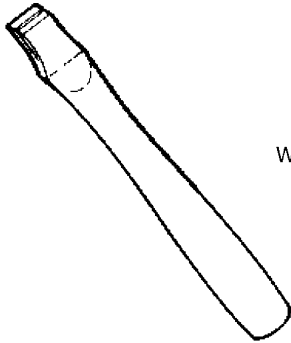


TO-32-1-101-312

- b. Wipe out face seat on holder with a clean rag. Install new face by turning in a clockwise direction.
- c. If holder is broken or cracked, remove both faces by turning in a counterclockwise direction.
- d. Obtain a new holder and install faces by turning in a clockwise direction.

21.6 REPLACING THE HANDLE.

MATERIALS



NEW HANDLE

ASSORTED WEDGES



WOODEN WEDGE

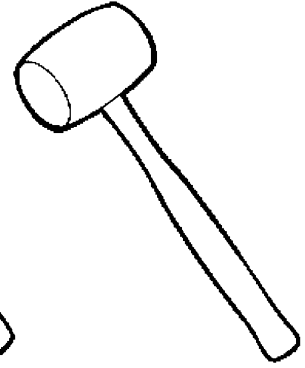


METAL WEDGE

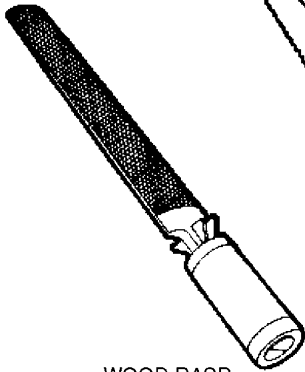
TOOLS



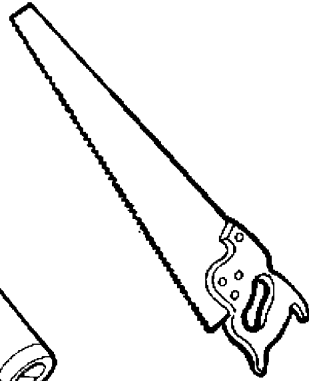
HAMMER



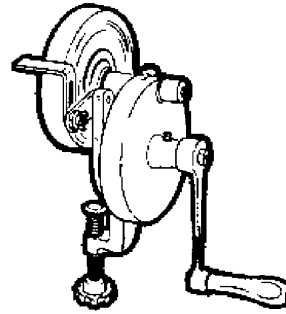
RUBBER Mallet



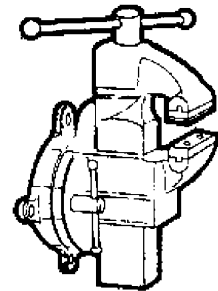
WOOD RASP



HAND SAW



BENCH GRINDER



VISe

TO-32-1-101-313

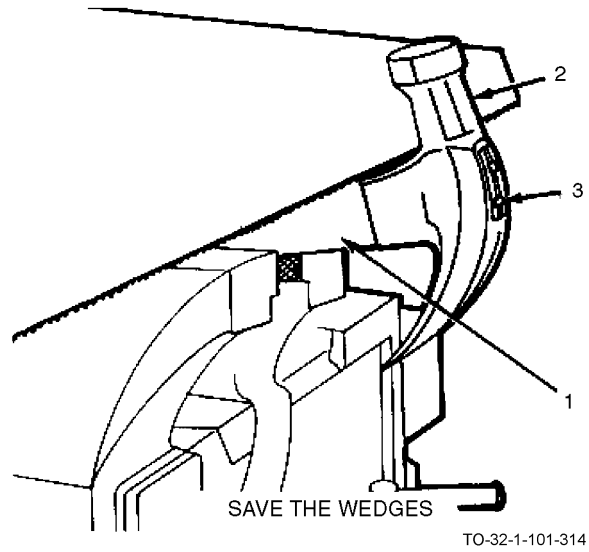
The above items are the basic materials required to replace the handle on a typical carpenter's hammer.

21.6.1 Removing Old Hammer Handle.

- a. If the handle is split or broken, remove it from the head.
- b. If the handle is too tight to pull loose from the head, proceed as follows:
 - (1) Place hammer in vise.
 - (2) Saw off handle (1) close to head (2).

AIR FORCE AIR FORCE TO 32-1-101
ARMY ARMY TM 9-243
MARINE CORPS MARINE CORP TM 10209-10/1
NAVY (NAVAIR) NAVY M6290-AJ-MAN-1010

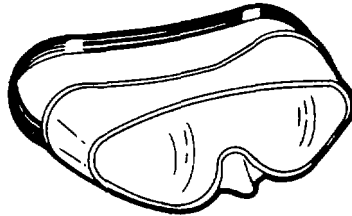
(3) Drive the remaining handle out through the large end of the head (3) using drift pin. Save the wedges.



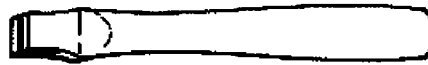
21.6.2 Installation of New Handle.

WARNING

Wear eye protection and watch the fingers. Failure to comply could result in injury to, or death of, personnel or long term health hazards.



TO-32-1-101-200



NEW HANDLE



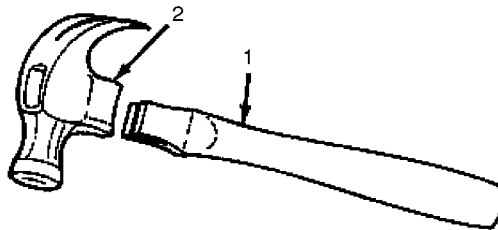
WOODEN WEDGE



METAL WEDGE

TO-32-1-101-315

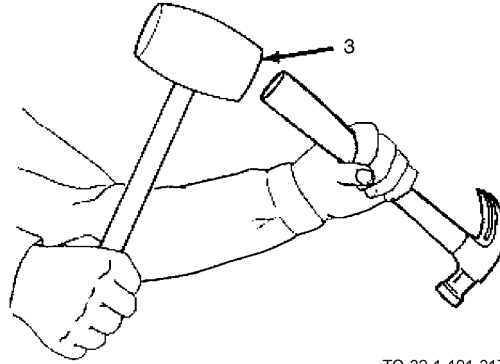
- a. Obtain new handle and wedges.



TO-32-1-101-316

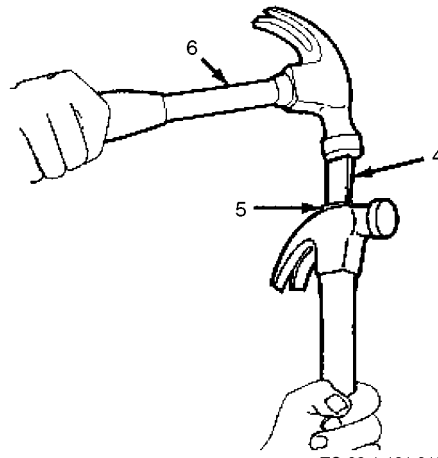
AIR FORCE AIR FORCE TO 32-1-101
ARMY ARMY TM 9-243
MARINE CORPS MARINE CORP TM 10209-10/1
NAVY (NAVAIR) NAVY M6290-AJ-MAN-1010

b. Insert handle (1) in head (2).



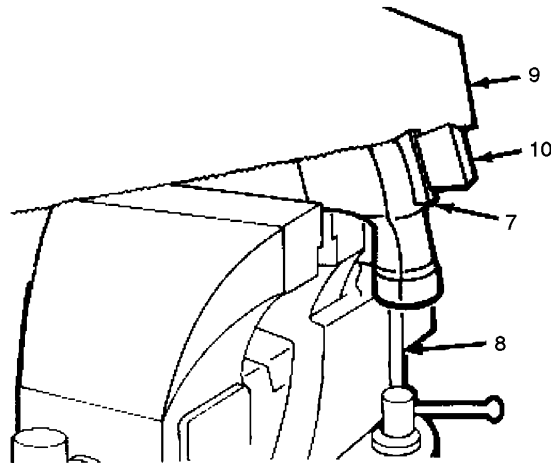
TO-32-1-101-317

c. Seat handle in head with a rubber mallet (3).



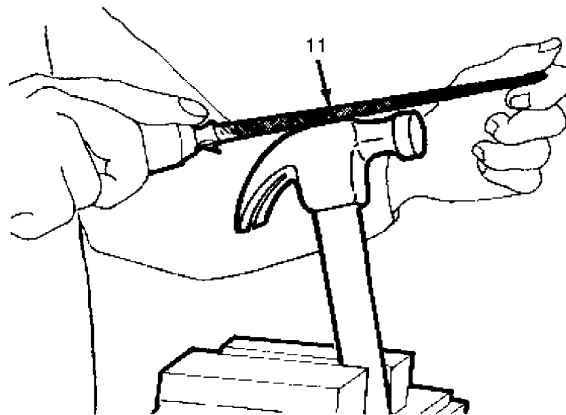
TO-32-1-101-318

d. Drive wooden wedge (4) in handle face (5) with hammer (6).



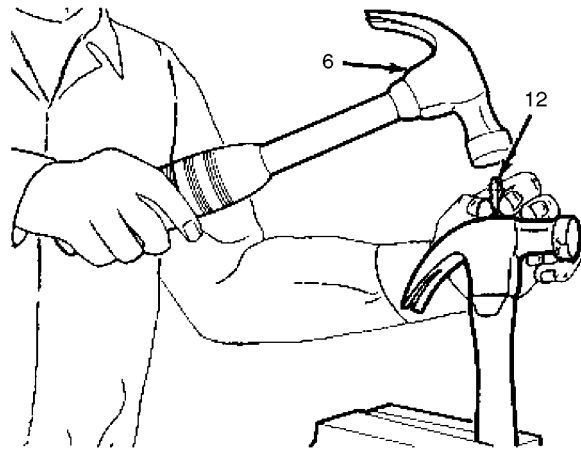
TO-32-1-101-319

e. Place hammer (7) in vise (8). Using handsaw (9), remove projecting end of wedge (10).



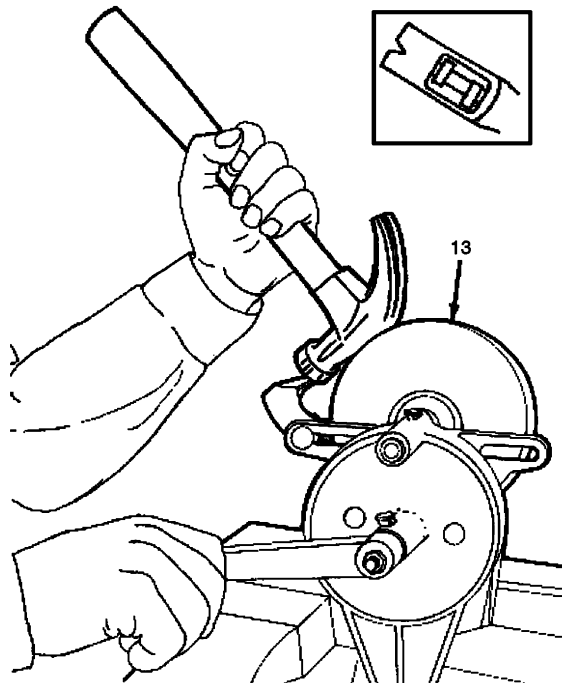
TO-32-1-101-320

- f. Remove excess portion of wedge using wood rasp (11).



TO-32-1-101-321

- g. Select metal wedge (12) and drive into wooden wedge with hammer (6).



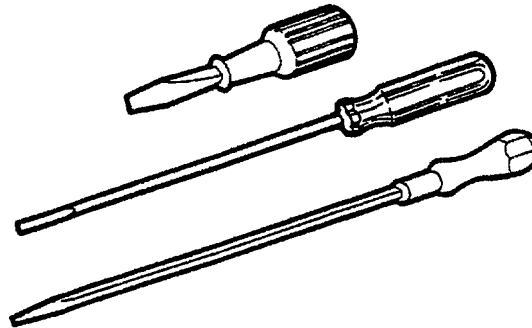
TO-32-1-101-322

- h. Remove excess portion of wedge using a bench grinder (13). Check handle. If it's tight, the task is complete. If handle is loose, repeat procedure.

CHAPTER 22 SCREWDRIVERS

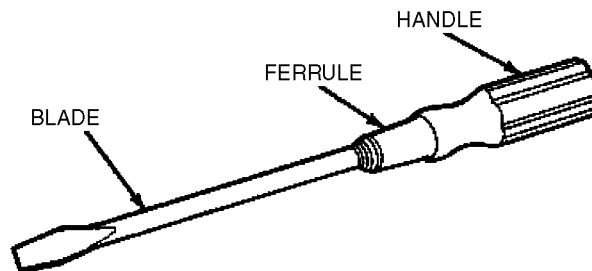
22.1 HOW TO CHOOSE AND USE SCREWDRIVERS.

Types and Uses, Paragraph 22.2, provides you with a list of some of the types of screwdrivers. These pages should help you select the right screwdriver to do the job. Using, Paragraph 22.4, tells you how to use the screwdriver to perform the desired function. Care of Screwdrivers, Paragraph 22.5, tells you how to care for the items.



TO-32-1-101-323

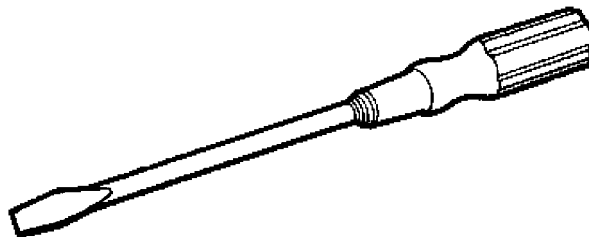
22.2 SCREWDRIVERS TYPES AND USES.



TO-32-1-101-324

Screwdrivers are available in many different shapes, sizes, and materials. Screwdrivers are used for driving or removing screws or bolts with slotted, recessed, or special heads.

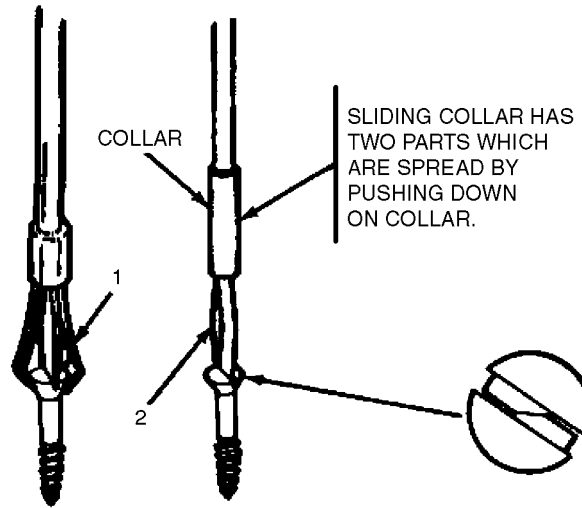
22.2.1 Common Screwdrivers.



TO-32-1-101-325

The common screwdriver has a round steel blade with a wood or plastic handle, usually fluted for a good grip. Integral

blade screwdrivers are used for heavy-duty work.



TO-32-1-101-326

Some common screwdrivers have a screw-holding feature. These are used for working in close quarters, overhead, and hard to reach places. The two most common types are the clip (1) and sliding collar (2). After the screw has been firmly started, switch to a conventional screwdriver to complete the job.

NOTE

Do not use sliding-cover, split-type screwdrivers for final tightening of screws.



TO-32-1-101-327

Close quarter or stubby common screwdrivers are used for working in close quarters where conventional screwdrivers will not fit.



TO-32-1-101-328

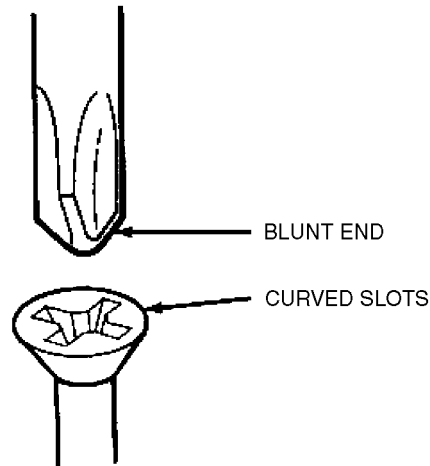
Common cabinet screwdrivers have a thin, round blade and are used to reach and drive or remove screws in deep, counter-bored holes.



TO-32-1-101-329

Other common heavy-duty screwdrivers have square blades so a wrench can be used to turn them.

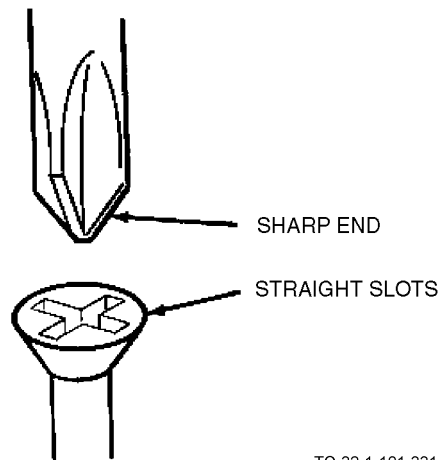
22.2.2 Cross-Tip Screwdrivers.



TO-32-1-101-330

The tip of a cross-tip screwdriver is shaped like a cross so that it fits into cross-tip screws. Cross-tip screws have two slots which cross at the center. These screwdrivers are made with four different sized tips. Cross-tip screwdrivers also have different length blades ranging from 1 inch to 8 inches.

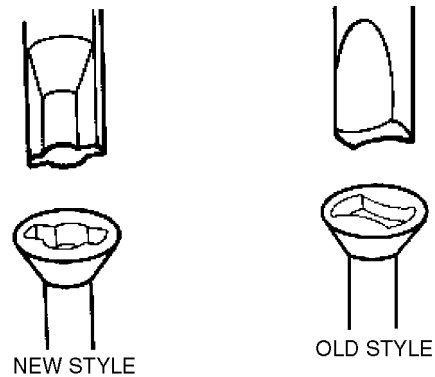
22.2.3 Cross-Point Screwdrivers.



TO-32-1-101-331

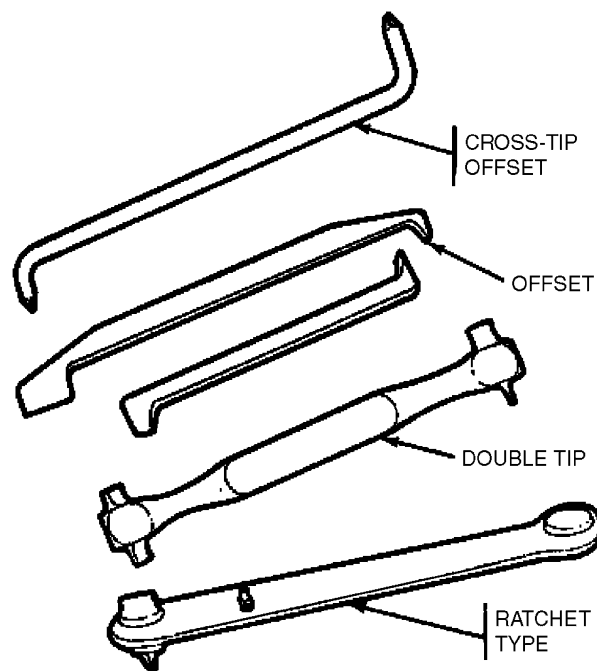
Cross-point screwdrivers are similar to the cross-tip. The cross-point slots meet at an exact right angle at their intersection. These screwdrivers are issued in 3 to 8 inch sizes.

22.2.4 Clutch Head Screwdrivers.



Clutch head screwdrivers are used to drive clutch-bit screws. These screws have recessed heads and are commonly called butterfly or figure-eight screws. There are two styles of clutch heads, old style and new style.

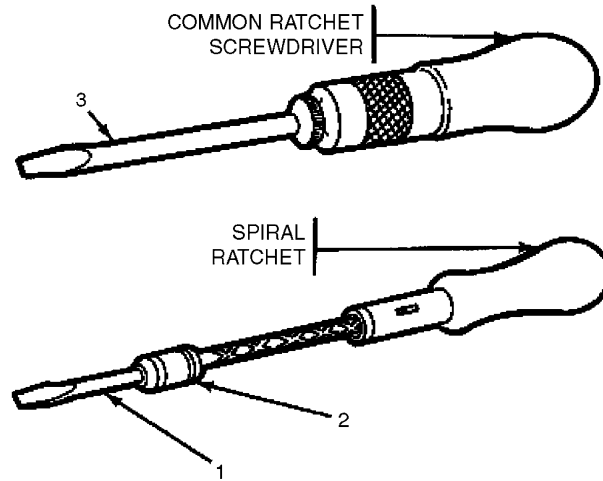
22.2.5 Offset Screwdrivers.



TO-32-1-101-333

Offset screwdrivers are used to drive or remove screws that cannot be lined up straight with common screwdrivers, or are located in tight corners. Some offset screwdrivers are made with two blades, one of a different size at each end. Others are ratchet-type offset, which are reversible for working in tight spots and allow the screw to be driven without having to remove the tip from the Screw head. A double-tip offset screwdriver has four blades.

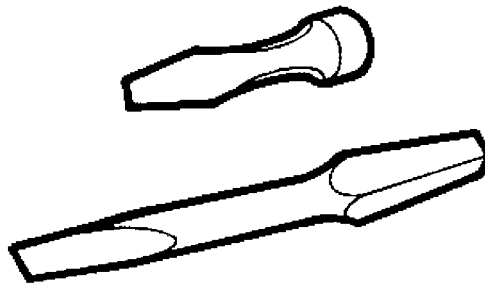
22.2.6 Ratchet Screwdrivers.



TO-32-1-101-334

Ratchet screwdrivers are used to drive or remove small screws rapidly. The spiral ratchet screwdriver automatically drives or removes screws. It can be adjusted to turn left, right, or locked to act as a common screwdriver. Some spiral ratchets have a spring in the handle which automatically returns the handle for the next stroke. Another style of ratchet screwdriver has a knurled collar for rotating the blade with your fingers. The spiral type has separate blades (1) that are inserted in the chuck (2). The common ratchet screwdriver has one integral blade (3).

22.2.7 Screwdriver Bits.

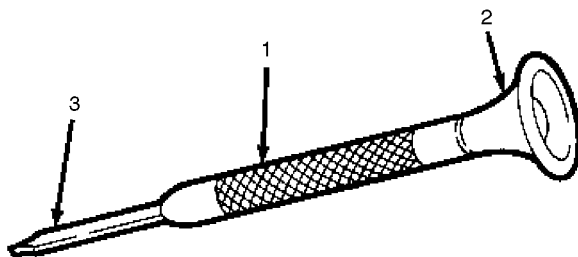


TO-32-1-101-335

A screwdriver bit is a screwdriver blade with a square, hexagon, or notched shank so that it can be used with other tools:

- Breast drill
- Ratchet bit brace
- Socket wrench handle

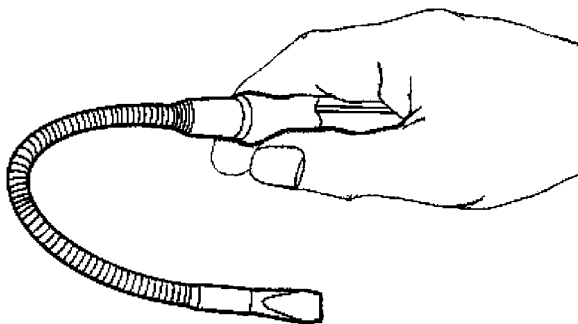
22.2.8 Jeweler's Screwdriver.



TO-32-1-101-336

Jeweler's screwdrivers are made for driving and removing small size screws. They usually have knurled handles (1), and a swivel end finger rest plate (2). The tips (3) range from 0.025 inch to 0.1406 inch wide. Some jeweler's screwdrivers have removable blades.

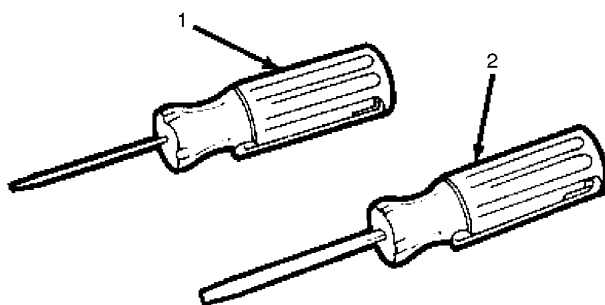
22.2.9 Flexible Screwdrivers.



TO-32-1-101-337

A flexible screwdriver has a spring steel blade which bends, allowing the user to get around flanges, shoulders, and other parts to drive and remove screws.

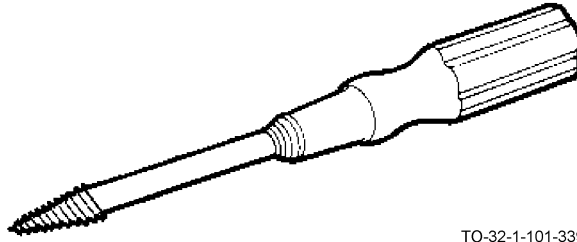
22.2.10 Radio and Pocket Screwdrivers.



TO-32-1-101-338

A radio screwdriver (1) has a round blade that is 1-1/2 inches long. Its use is restricted to very small screws generally used in the construction of radio chassis. The pocket screwdriver (2) is also small, with a square blade that is 1-3/4 inches long. Both have pocket clips.

22.2.11 Screw Starter or Gimlet.



TO-32-1-101-339

A screw starter or gimlet has a threaded tip. It is used to make a pilot hole in wood for wood screws.

22.3 SCREWDRIVERS SAFETY.

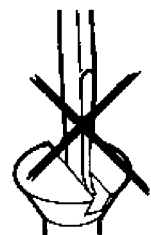
WARNING

- Handle the screwdriver carefully. A greasy handle could cause an accident. Failure to comply could result in injury to, or death of, personnel or long term health hazards.
- Do not carry a screwdriver in your pocket unless it has a pocket clip. Failure to comply could result in injury to, or death of, personnel or long term health hazards.
- Do not use a screwdriver for prying, punching, chiseling, scoring, or scraping. Failure to comply could result in injury to, or death of, personnel or long term health hazards.
- Do not use a screwdriver near a live wire, to check a storage battery, or to determine if an electrical circuit is live. Failure to comply could result in injury to, or death of, personnel or long term health hazards.
- Do not hold the work in one hand while using the screwdriver with the other. If the screwdriver slips out of the slot, you will be most likely to put a gash in your hand. Failure to comply could result in injury to, or death of, personnel or long term health hazards.

22.4 USING SCREWDRIVERS.

NOTE

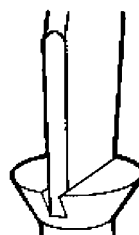
The proper way to select and use a screwdriver is to always match the size of the screwdriver to the job and always match the type of screwdriver to the head of the screw.



TOO NARROW



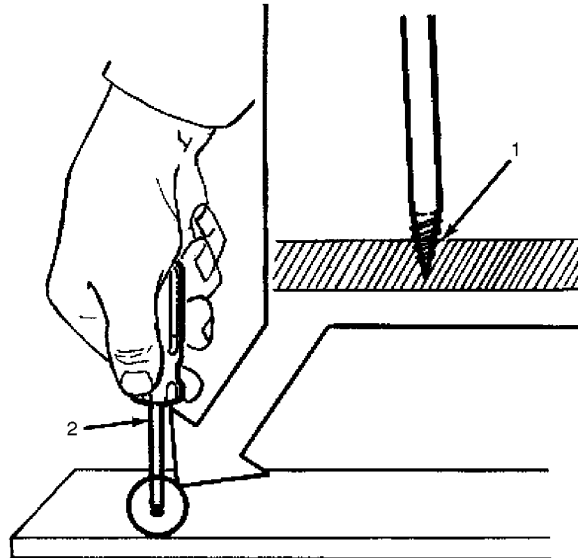
TOO WIDE



PROPER FIT

TO-32-1-101-340

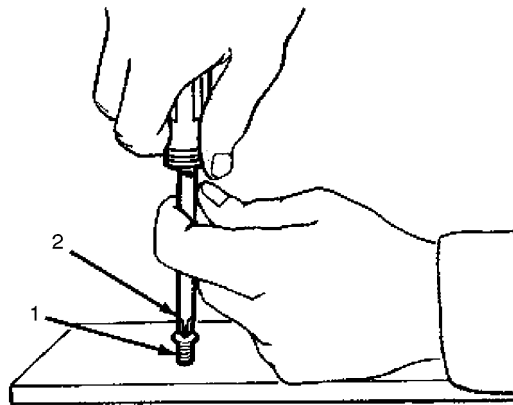
22.4.1 Preparing the Work Surface.



TO-32-1-101-341

- a. Before attempting to drive a screw into wood, you first make a pilot hole (1) using a screw starter (gimlet) (2), an awl, a nail, or a drill.
- b. Before attempting to drive a screw into sheet metal you should make a pilot hole using a drill. However, lightweight sheet metal can be pierced with a nail or punch.

22.4.2 Using a Screwdriver.

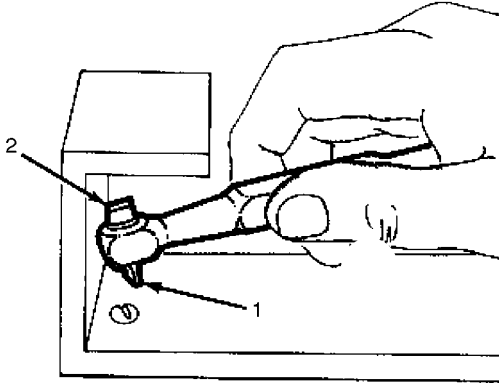


TO-32-1-101-342

- a. Insert the screw (1) in the pilot hole. Insert the screwdriver tip (2) in the screw slot of the screw as shown.
- b. Keep the screwdriver in line with the screw as shown. You may want to use your other hand to keep the blade steady.
- c. Turn clockwise to screw in, counterclockwise to unscrew.

- d. Do not use a pliers to turn the screwdriver when driving or removing screws that are hard to turn. For hard to turn screws, use a square blade screwdriver designed for heavy-duty work and a wrench which properly fits the blade.

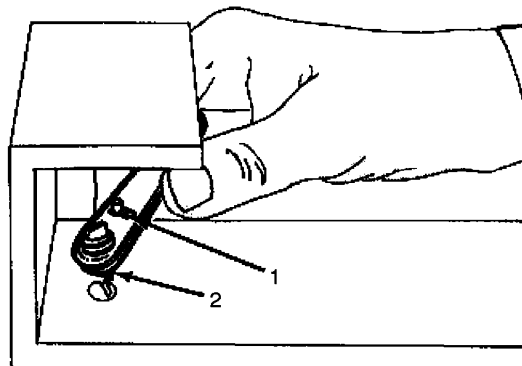
22.4.3 Using an Offset Screwdriver.



TO-32-1-101-343

- a. Select the correct style and tip size for the screw being used.
- b. Insert the tip (1) in the screw slot.
- c. In tight places you may have.

22.4.4 Using an Offset Ratchet Screwdriver.



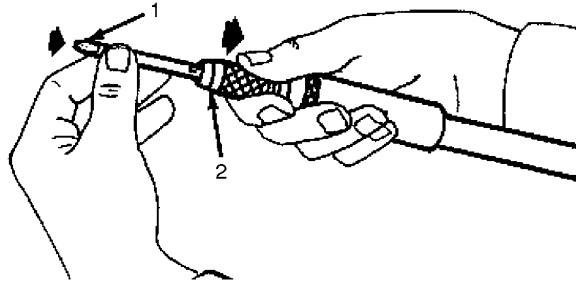
TO-32-1-101-344

- a. Select the correct size tip for the screw head.
- b. Set the action selection lever (1) in the stock of the screwdriver for installation of a screw as shown. Reverse the lever for removal of a screw.
- c. Insert the tip (2) in the screw slot of the screw head. Pull the lever to the right or left, for installation or removal of the screw. This allows the screw to be driven without having to remove the tip from the screw head.

22.4.5 Using a Spiral Ratchet Screwdriver.

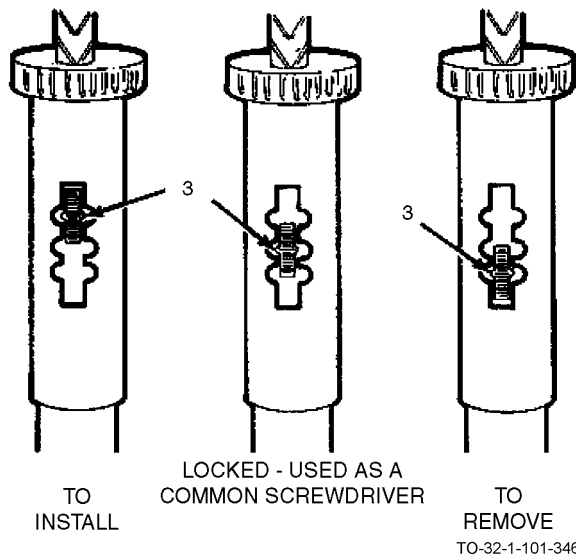
NOTE

These screwdrivers come in several styles. Some have the different size bits stored in the handle.



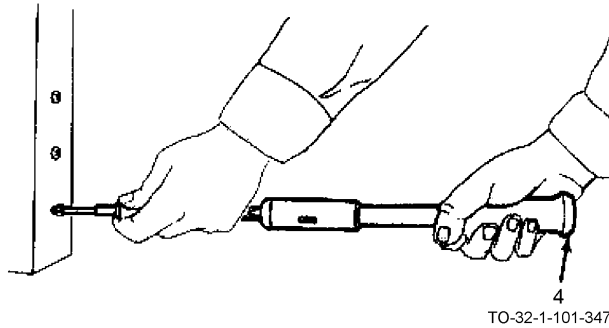
TO-32-1-101-345

- a. Select the correct size tip for the screw head being used.
- b. Install tip (1) in screwdriver by pulling back on metal shell (2). When tip is seated, release the shell to lock it into place.



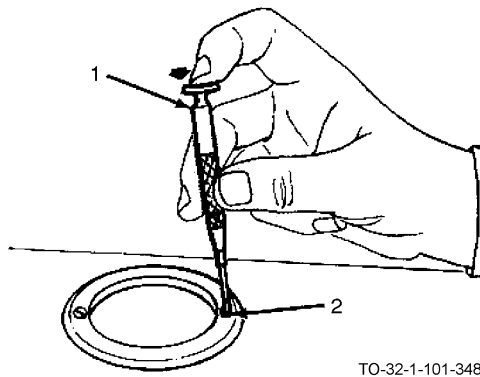
TO-32-1-101-346

- c. Set selector lever (3) as shown.



- d. Insert the tip in the screw slot. Hold the screwdriver blade as shown. Move handle (4) back and forth to install or remove a screw.

22.4.6 Using a Jeweler's Screwdriver.



- a. Hold screwdriver as shown, with forefinger on rotating head (1).



Be sure the screwdriver fits the screw. If the screw is too large for the screwdriver tip, the tip will be damaged. Failure to comply could result in damage to, or destruction of, equipment or loss of mission effectiveness.

- b. Insert the tip of the screwdriver in the screw slot (2). Turn the screwdriver, between the thumb and middle finger, clockwise to screw in, counterclockwise to unscrew.

22.5 CARE OF SCREWDRIVERS.

- a. When a screwdriver becomes nicked, or the edges become rounded, or when other damage occurs so that it does not fit a screw slot, it can be reground or filed. The sides must be parallel to keep the tool from lifting from the screw slot and the tip must be square, at right angles to the sides and to the blade.
- b. Do not expose a screwdriver to excessive heat, as it may reduce the hardness of the blade.
- c. Replace a screwdriver that has a worn or damaged handle or rounded tip.

AIR FORCE AIR FORCE TO 32-1-101
ARMY ARMY TM 9-243
MARINE CORPS MARINE CORP TM 10209-10/1
NAVY (NAVAIR) NAVY M6290-AJ-MAN-1010

- d. After use, wipe screwdriver clean and place in rack or tool box. For long-term storage, apply rust-preventive compound to all metal surfaces and store in a dry place.
- e. Screwdrivers used in the shop are best stored in a rack. This way the proper selection of the right screwdriver can be quickly made and fewer injuries will result.
- f. A poor fitting screwdriver will damage the screw head, slip off the screw, and cause personal injury. Use a screwdriver that has parallel sides and exactly fits the screw slot.
- g. Never pound on a screwdriver with a hammer. Do not use a screwdriver as a chisel.

TIP SIDES ARE
GROUND PARALLEL



TIP SIDES ARE
GROUND TO SHAPE OF
GRINDING WHEEL



TIP SIDES ARE
GROUND AT AN
ANGLE

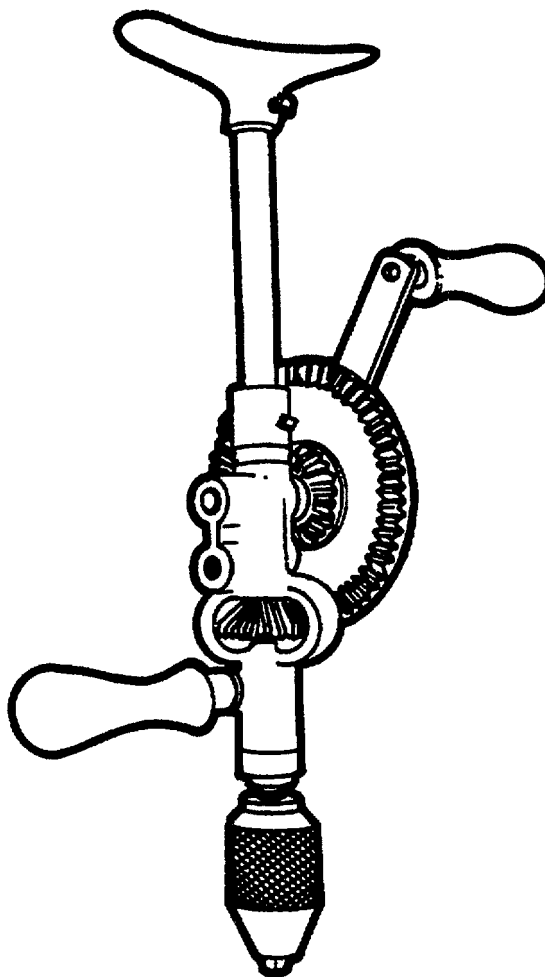


TO-32-1-101-349

CHAPTER 23 MANUAL DRILLS

23.1 HOW TO CHOOSE AND USE MANUAL DRILLS.

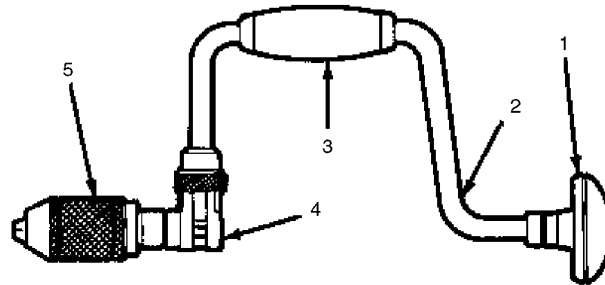
Types and Uses, Paragraph 23.2, provides you with a list of some of the types of drills. These pages should help you select the right drill to do the job. Using, Paragraph 23.3, tells you how to use the drill to perform the desired function. Care of Manual Drills, Paragraph 23.5, tells you how to care for the items.



TO-32-1-101-350

23.2 MANUAL DRILLS TYPE AND USES.

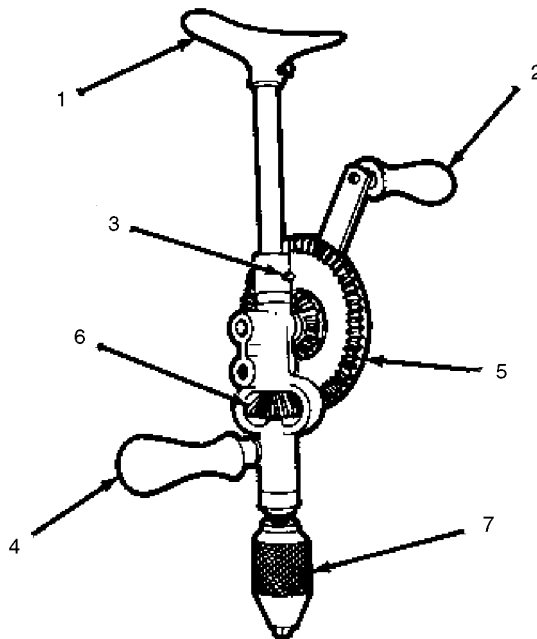
23.2.1 Brace Drill.



TO-32-1-101-351

The brace drill is made up of the following parts: head (1), crank (2), crank handle (3), ratchet mechanism (4), and chuck (5). The brace is used to drill holes in wood and with a screwdriver bit, remove and install screws.

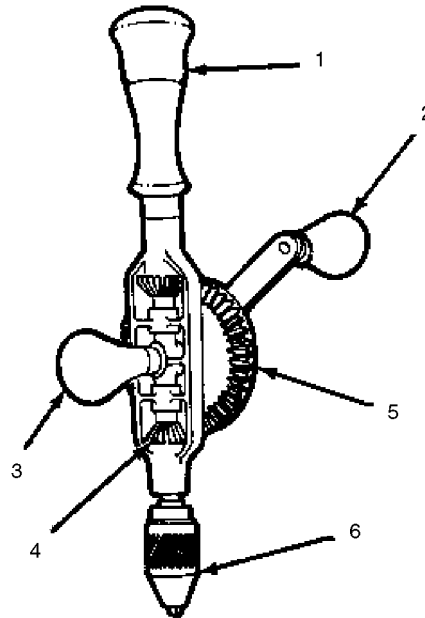
23.2.2 Breast Drill.



TO-32-1-101-352

The breast drill is made up of the following parts: breast plate (1), drive handle (2), speed shifter (3), side handle (4), speed gears (5), pinion gears (6), and chuck (7). The adjustable breast plate provides a base for the user to lean against while using the drill. The speed shifter provides a means of selecting high speed or low speed. This allows the operator to start a hole at slow speed, 1:1 ratio, preventing marring of the surface, then shifting to high speed, 3-1/2:1 ratio, to finish drilling the hole. To change from low speed to high speed, move the drive handle and speed gears from the bottom hole to the top hole. High speed position is illustrated. Some drills have a slot instead of two holes. The side handle provides a way to steady the drill and insure that the bit is boring a straight hole. The speed gears determine the speed at which the drill rotates. They are connected through linkage to the pinion gears. The pinion gears turn the chuck and drill. The breast drill is used to drill holes in wood, plastic, concrete, and small gage sheet metal.

23.2.3 Hand Drill.



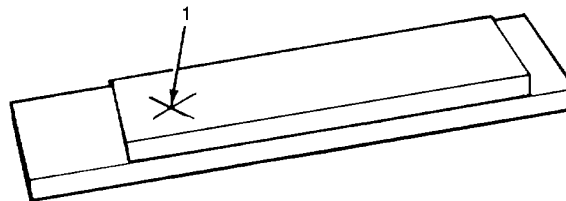
TO-32-1-101-353

The hand drill is made up of the following parts: handle (1), drive handle (2), side handle (3), pinion (4), gear wheel (5) and chuck (6). The handle provides a storage area for drill bits. The side handle may be used to steady the drill when drilling in soft wood. The pinion turns the chuck and drill. Through mechanical linkage, the gear wheel transfers the driving force from the drive handle to the chuck. Hand drills are used to drill holes in wood and sheet metal.

23.3 USING A BRACE DRILL.

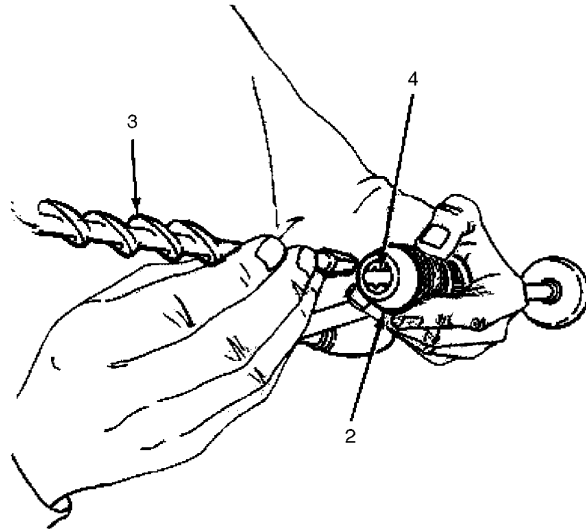
NOTE

The following procedure is for a bit of a fixed size from 1/4 inch up to a 1 inch maximum.



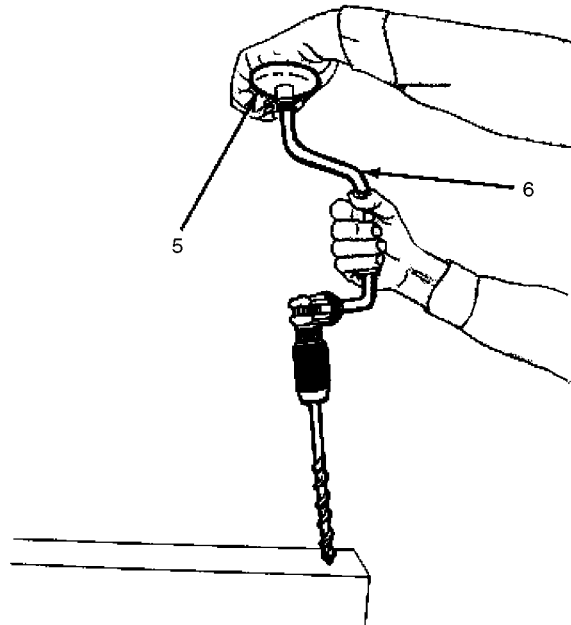
TO-32-1-101-354

- a. Mark (1) with a pencil where hole is to be drilled.



TO-32-1-101-355

- b. Open chuck (2) and insert bit (3) between jaws (4). Tighten chuck (2), securing bit (3).

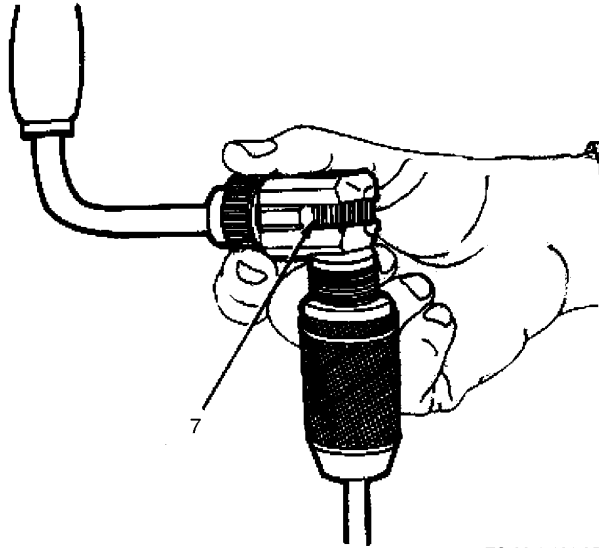


TO-32-1-101-356

- c. Center bit over pencil mark. Push down on head (5) and turn crank (6) until bit goes through the board.

NOTE

Ratchet mechanism (7) may have to be set.



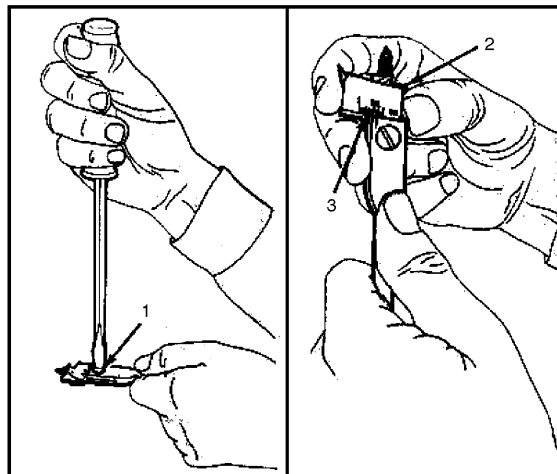
TO-32-1-101-357

- d. Reverse the ratchet mechanism (7), then turn crank and pull up on head to remove bit.
e. Open chuck and remove bit. Close chuck.

23.4 USING AN EXPANSIVE BIT.

NOTE

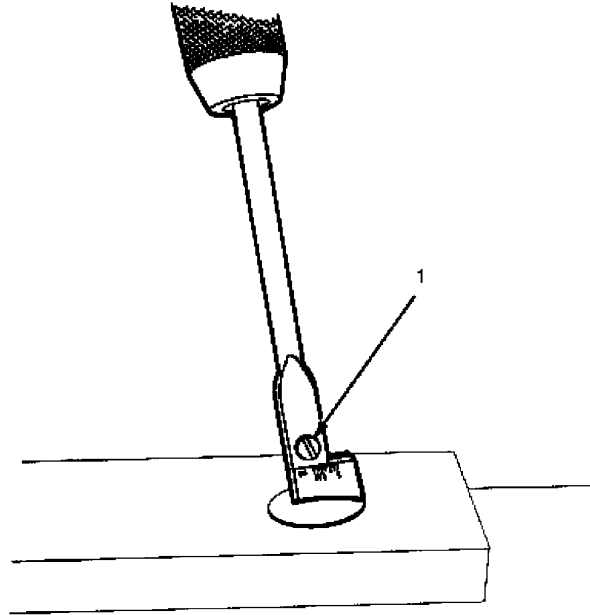
Expansive bits are available in two sizes, one from 5/8 inch to 1-3/4 inches and the other from 7/8 to 3 inches.



TO-32-1-101-358

AIR FORCE AIR FORCE TO 32-1-101
ARMY ARMY TM 9-243
MARINE CORPS MARINE CORP TM 10209-10/1
NAVY (NAVAIR) NAVY M6290-AJ-MAN-1010

- a. Loosen retaining screw (1). Slide adjustable blade (2) to the desired width using built-in scale (3) or a 6 inch machinist's rule.

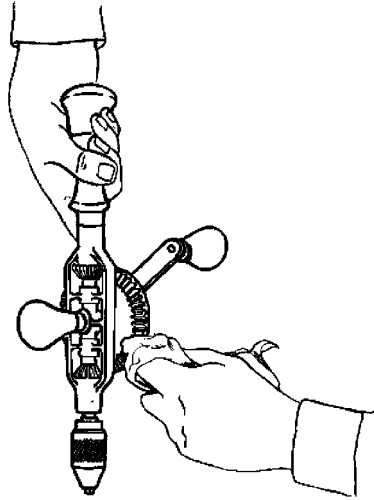


TO-32-1-101-359

- b. Tighten retaining screw (1) and refer to Drill, Paragraph 23.3, Step a through Step e.

23.5 CARE OF MANUAL DRILLS.

Apply a light coat of oil to all metal surfaces. With a rag, clean gear teeth of dirt, wood and metal shavings and apply a light coat of oil. Hang manual drills on a rack or store in a safe, dry place.



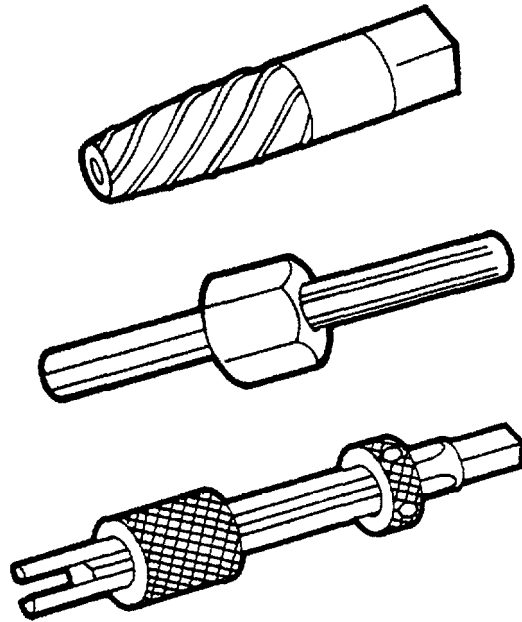
TO-32-1-101-360

CHAPTER 24

SCREW AND TAP EXTRACTORS

24.1 HOW TO CHOOSE AND USE CREW AND TAP EXTRACTORS.

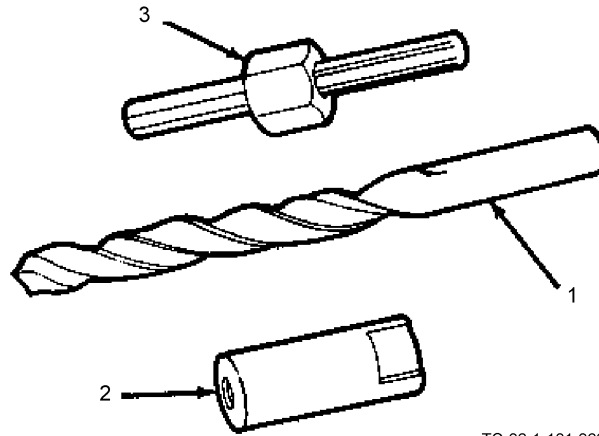
Types and Uses, Paragraph 24.2, provides you with a list of some of the types of extractors. These pages should help you select the right extractor to do the job. Using a Spiral Tapered Screw Extractor, Paragraph 24.3, tells you how to use the extractor to perform the desired function. Care of Extractors, Paragraph 24.4, tells you how to care for the items.



TO-32-1-101-361

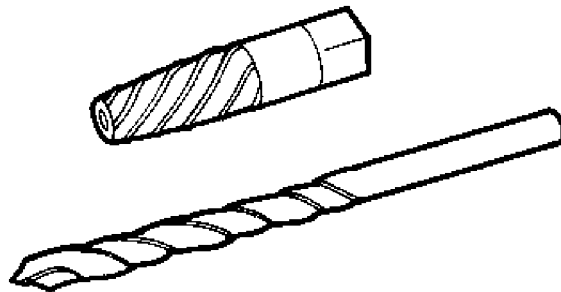
24.2 SCREW AND TAP EXTRACTORS TYPES AND USES.

24.2.1 Screw Extractors. Screw extractors are used to remove broken screws without damaging the threads or surrounding material. There are two basic types of screw extractors, the straight-flute type and spiral-tapered type.



TO-32-1-101-362

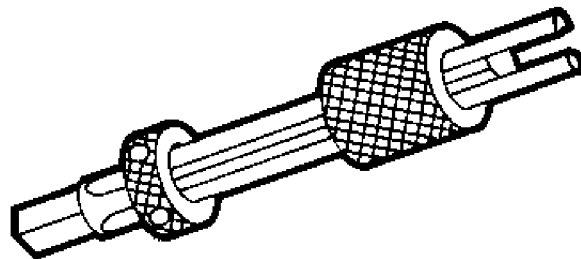
The straight-flute type requires the following tools to drill a pilot hole in the screw: a twist drill (1), a drill guide (2), and a turn nut (3).



TO-32-1-101-363

The spiral-tapered type requires a twist drill for drilling a pilot hole.

24.2.2 Tap Extractor.



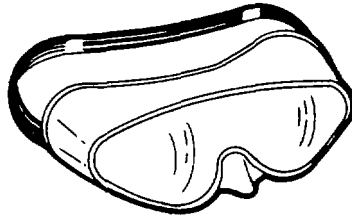
TO-32-1-101-364

The tap extractor is usually of the flute type and requires the use of a wrench to turn the tap. It is used for removing taps with no external area.

24.3 USING A SPIRAL TAPERED SCREW EXTRACTOR.

WARNING

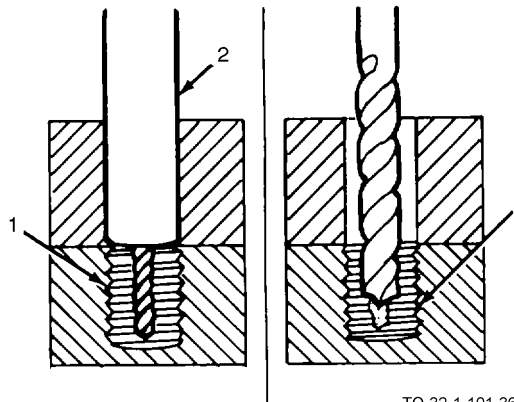
Wear proper eye protection. Failure to comply could result in injury to, or death of, personnel or long term health hazards.



TO-32-1-101-200

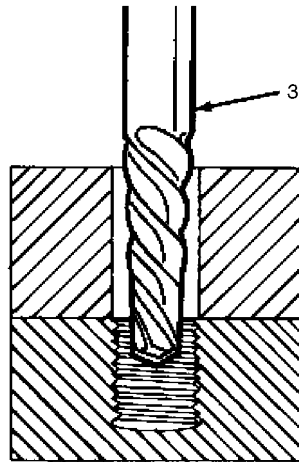
NOTE

The following task is not the only use of a screw extractor.



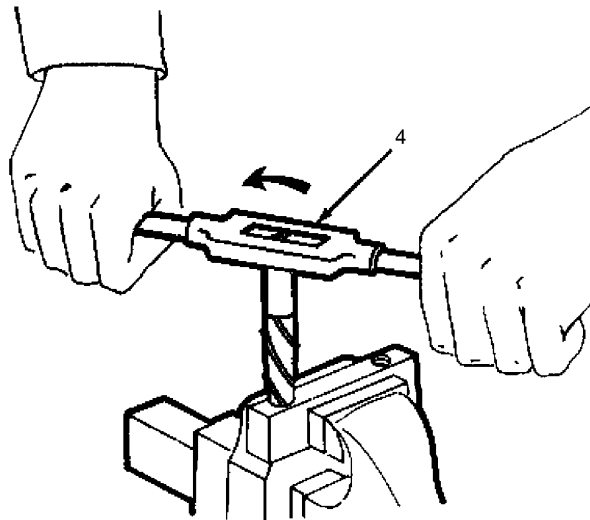
TO-32-1-101-365

- a. Drill a hole in the broken screw (1). Use a drill size guide (2) if available. If one is not available, drill the hole slightly smaller than the diameter of the extractor. (When drilling larger screws it may be necessary to drill a small pilot hole first, then a larger hole).



TO-32-1-101-366

- b. Insert extractor (3) in the drilled hole.



TO-32-1-101-367

- c. Remove the broken screw by turning the extractor counterclockwise. The extractor may be turned using a tap wrench or open end wrench (4).

24.4 CARE OF EXTRACTORS.

- a. Keep extractors clean and lightly oiled.
- b. Minor wear on the bottom tip of the extractor may be reground prior to reuse.

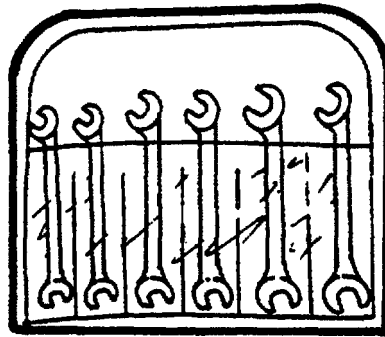
c. Extractors may be stored either individually or in a case.



CHAPTER 25 WRENCHES

25.1 HOW TO CHOOSE AND USE WRENCHES.

Types and Uses, Paragraph 25.2, provides you with a list of some of the types of wrenches. These pages should help you select the right wrench to do the job. Using, Paragraph 25.4, tells you how to use the wrench to perform the desired function. Care, Paragraph 25.11, tells you how to care for the items.

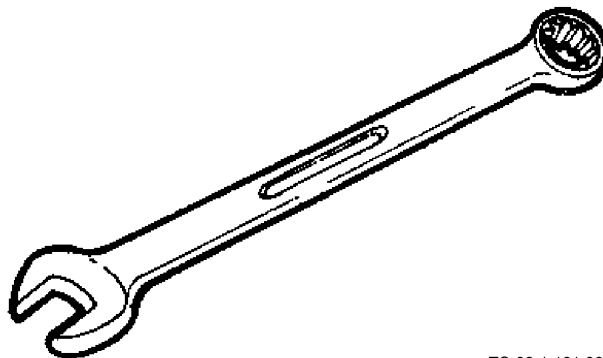


TO-32-1-101-368

25.2 WRENCHES TYPES AND USES.

A wrench is a tool specially designed to tighten or loosen nuts, bolts, studs, and pipes. Wrenches are forged from steel alloy to prevent breakage. There are many different types of wrenches. Each type has its own use. By using the proper wrench for the task to be done, you will not break the wrench, damage the equipment, or cause personal injury. The following section is intended to give you information on the different wrench types.

25.2.1 Open-End Wrenches.

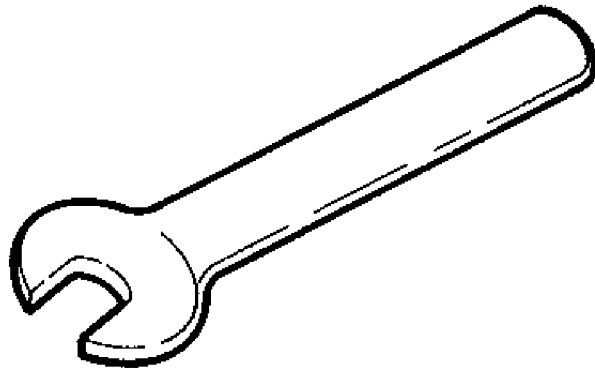


TO-32-1-101-369

All open-end wrenches have open jaws on one or both ends of the wrench. Most jaw openings are offset from the shank portion of the wrench by 15 degrees. The wrench length is determined by the size of the jaw opening. Some of the more

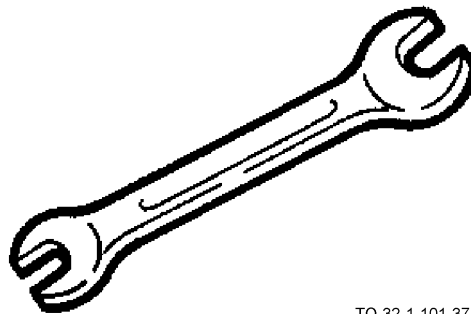
AIR FORCE AIR FORCE TO 32-1-101
ARMY ARMY TM 9-243
MARINE CORPS MARINE CORP TM 10209-10/1
NAVY (NAVAIR) NAVY M6290-AJ-MAN-1010

common types of open-end wrenches and their uses are listed below.



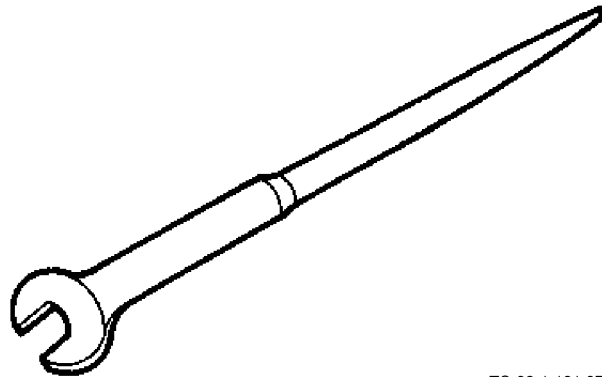
TO-32-1-101-370

The engineer's single open-end wrench has a long smooth shank providing the user with a better gripping surface. It is used to reach behind or below blind surfaces.



TO-32-1-101-371

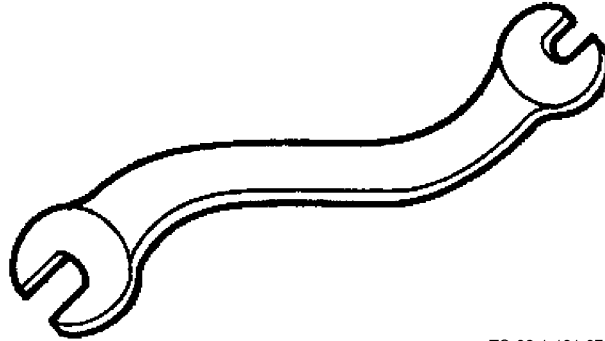
The engineer's double open-end wrench has different size openings on each end. This type of an arrangement permits a smaller number of wrenches to complete a set. The engineer's double open-end wrench is also used to reach behind or below blind surfaces.



TO-32-1-101-372

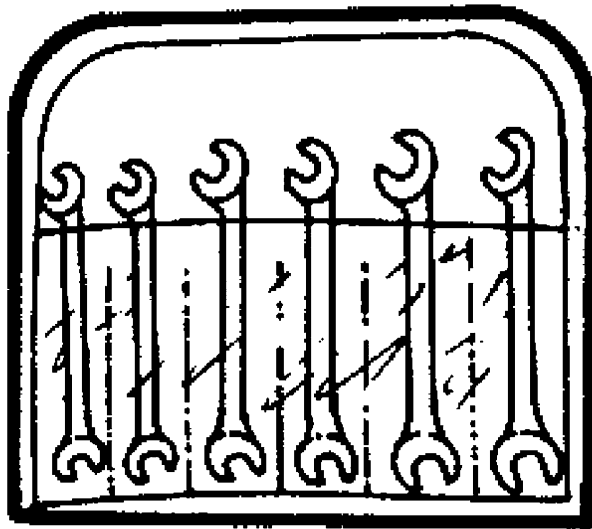
The construction wrench combines the open-end jaw with along tapered shank providing a wrench/alignment punch combination. The construction wrench is used in the building trades and on heavy objects which require alignment before

fastening.



TO-32-1-101-373

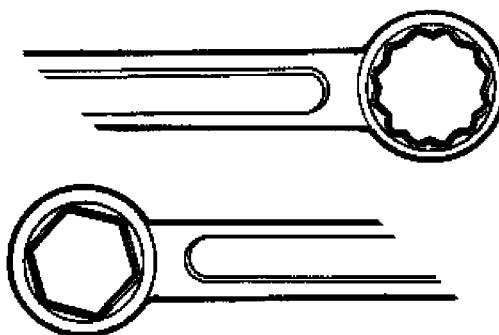
The S-Shape wrench has a 22-1/2 degree offset. It is used to reach around obstructing objects.



TO-32-1-101-374

Ignition wrenches have the same size jaw opening on both ends. However, one end of this wrench is offset 15 degrees and the other end is offset 60 degrees. Ignition wrenches are smaller in size, as they are used to remove components of automotive ignition systems.

25.2.2 Box Wrenches.



TO-32-1-101-375

A box wrench surrounds the nut, bolt head, or stud on all sides. It is available with both 6 point and 12 point openings.

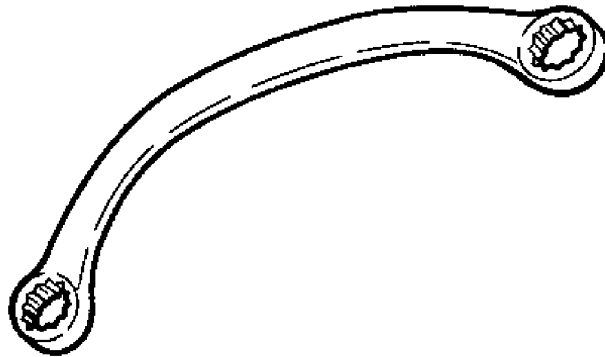
AIR FORCE AIR FORCE TO 32-1-101
ARMY ARMY TM 9-243
MARINE CORPS MARINE CORP TM 10209-10/1
NAVY (NAVAIR) NAVY M6290-AJ-MAN-1010

The 12 point opening is more common, as it may be used on both square and hexagonal bolt heads. Box wrench openings are offset from the shank by 15 degrees. A box wrench should be used whenever possible, as it provides the best protection to both the user and the equipment. The major disadvantage of the box wrench is that there must be enough clearance above and around the bolt head to place the wrench over the bolt head. The length of the box wrench depends upon the size of the opening. Some of the more common types of box wrenches and their uses are shown below.



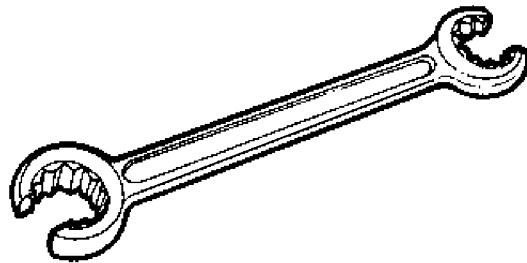
TO-32-1-101-376

The most common box wrench is the double offset box wrench. It comes with a different size opening at each end. The double offset wrench is used to remove normal nuts and bolts.



TO-32-1-101-377

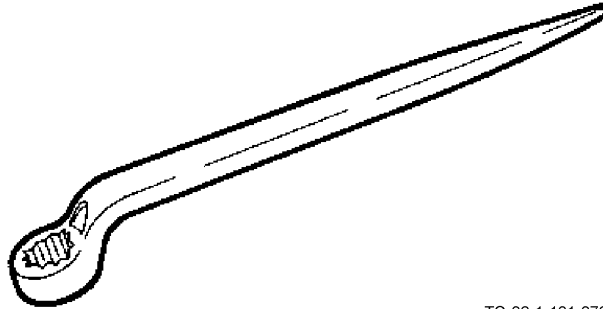
The half-moon wrench has different size openings at each end and has a curved shank. The half-moon wrench is used when it is necessary to reach around objects in tight spaces.



TO-32-1-101-378

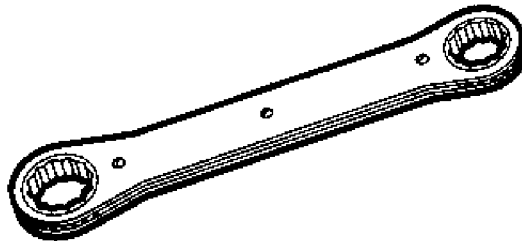
The split-box wrench is a 12 point wrench with 2 points cut away. The split-box wrench is used on pipe unions or cou-

plings where you want the protection of a box wrench, but need to slide the wrench around a pipe.



TO-32-1-101-379

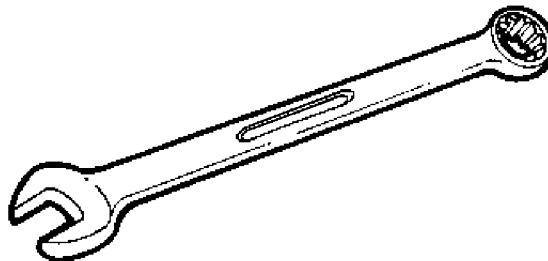
The structural-tapered handle wrench combines a box wrench opening with a tapered shank to produce a box wrench/alignment pin combination. It is usually used on heavy structural construction (bridge girders, building beams, etc.).



TO-32-1-101-380

Ratchet-box wrenches are either reversible or nonreversible. The ratchet-box wrench does not have to be lifted up and repositioned each time the shank has reached its maximum travel between two obstructions. The ratchet-box wrench provides an easy means of removing and/or installing nuts or bolts which are not under strain. These wrenches should not be used to torque down or to free nuts or bolts.

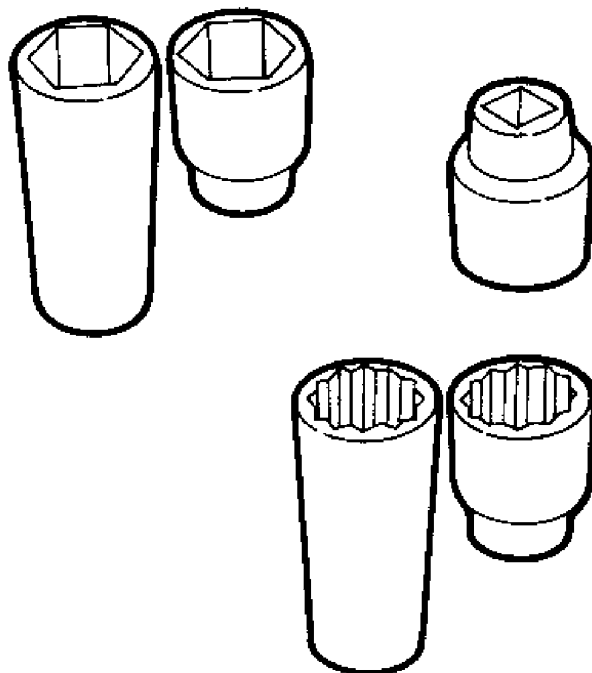
25.2.3 Combination Wrenches.



TO-32-1-101-381

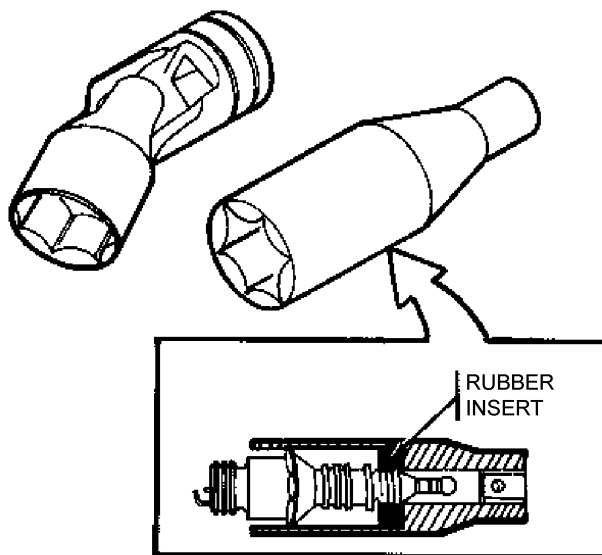
The combination wrench combines the best features of the open-end and box wrench into a single wrench. The size opening on the wrench is the same on both ends, but one end has a box head and the other end has an open-end head. The length of the wrench varies with the size of the head. The most common opening is offset from the shank by 15 degrees. They are used to remove common-size nuts and bolts.

25.2.4 Socket Wrenches.



TO-32-1-101-382

The socket wrench consists of a round metal sleeve with a square opening in one end for insertion of a handle, and a 6 point or 12 point wrench opening in the other. They are available in both common (short) and deep (long) lengths. The length of the socket does not determine its size. Socket wrenches usually come in sets. The square or drive end may vary in size from 1/4 to 1 inch. In socket sets, the drive end determines the size; for example, a 1/4 inch drive set may contain nine sockets ranging in size from 3/16 inch through 1/2 inch. In 3/8 inch drive, the smallest socket would be 3/8 inch. This overlap in size allows better control by the user and prevents breakage of either the socket or the equipment from using the wrong size handle.

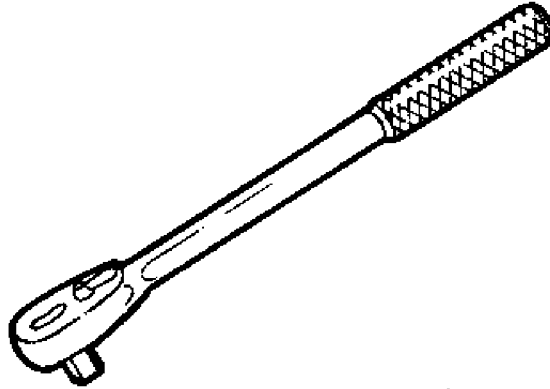


TO-32-1-101-383

A universal joint socket and spark plug socket are examples of specially designed sockets. The universal joint socket is used when it is necessary to reach around an object. The spark plug socket has a rubber insert. This insert protects the ceramic insulator when removing and/or installing the spark plug. All sockets must be used with some type of handle.

Sockets are used to remove and/or install common-size nuts or bolts.

25.2.5 Socket Wrench Handles, Extensions and Adapters.



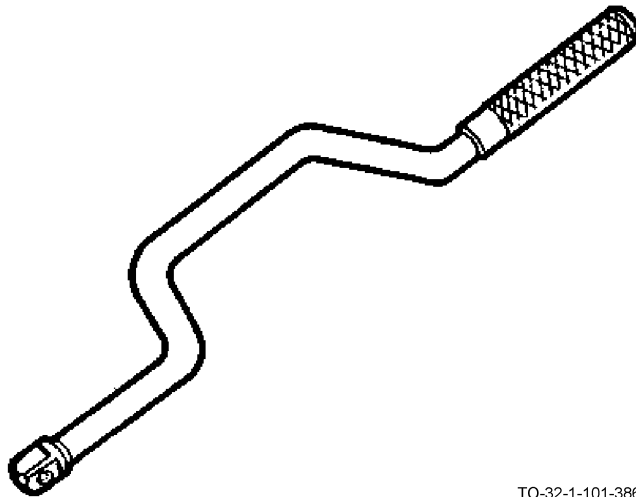
TO-32-1-101-384

Ratchet handles may have either a straight-head or a flex-head. Both types have a selection lever on the top of the head to determine the direction of drive. The flex-head is used to go around objects. Both types are used with socket wrenches for rapid removal of nuts or bolts.



TO-32-1-101-385

The sliding T-Bar handle has a single head which may be adjusted along a bar handle. It has two spring-loaded balls, one for keeping the bar in the head and the other for keeping the socket on the head. The sliding T-Bar is used for increased leverage or for working around other objects.

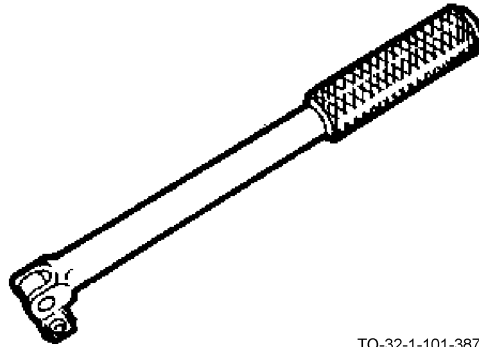


TO-32-1-101-386

The speed handle has a brace-type shaft with a revolving grip on the top. It is used for rapid removal and/or installation

AIR FORCE AIR FORCE TO 32-1-101
ARMY ARMY TM 9-243
MARINE CORPS MARINE CORP TM 10209-10/1
NAVY (NAVAIR) NAVY M6290-AJ-MAN-1010

of nuts or bolts, which are out in the open and have little or no torque.



TO-32-1-101-387

A hinged handle has a hinged adapter on one end which may be rotated in 90 degree steps. The hinged handle is used when additional leverage or torque is needed to loosen nuts or bolts.



TO-32-1-101-388

The spin-type screwdriver grip handle has a plastic or wood handle. It is used to remove and/or install small nuts and bolts.



TO-32-1-101-389

Extensions are either rigid or flexible. They range from 2 to 17 inches in length. Extensions may be used with any socket handle combination to gain clearance above nut or bolt.



TO-32-1-101-390

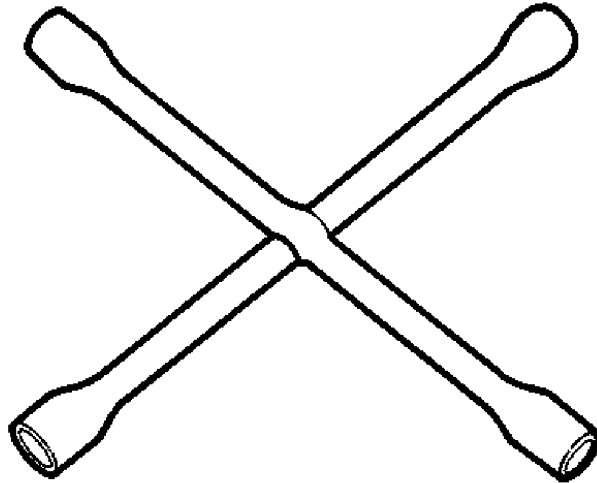
The ratcheting adapter converts a non-ratcheting handle into a ratchet drive. It is used for quick removal of nuts or bolts.



TO-32-1-101-391

The socket wrench adapter is used to change the drive size between the socket and the handle. It usually increases or decreases the fractional size by one (1/4 inch to 3/8 inch). The socket wrench adapter is used to increase or decrease the drive end of a particular handle allowing it to be used with two different socket sets.

25.2.6 Special Purpose Socket Wrenches.



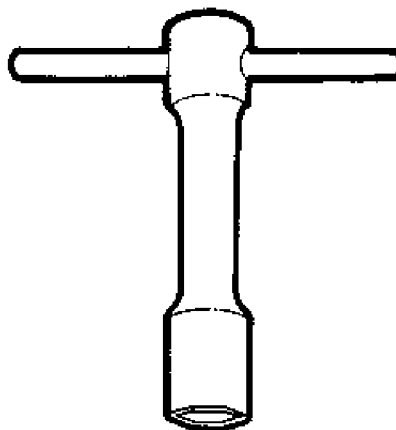
TO-32-1-101-392

The four-way socket wrench has four non-removable sockets attached to four arms. Each of the sockets is a different size. The four-way socket wrench is usually used to remove or install the wheel stud nuts of a vehicle. The handle construction provides extra leverage when loosening and tightening the stud nuts.



TO-32-1-101-393

The 90 degree offset handle socket wrench has a fixed socket at the end of a bent handle. It is used for removing and/or installing a nut or bolt which may not be reached with a box or combination wrench.

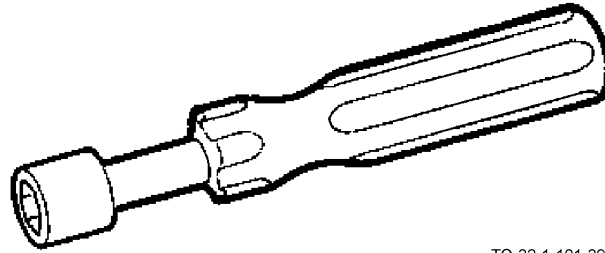


TO-32-1-101-394

The T-handle socket wrench has a fixed T-handle above a fixed socket wrench. The T-handle socket wrench has many uses. One of the more common uses is for shutting off or turning on water or gas lines. The T-handle permits the operator

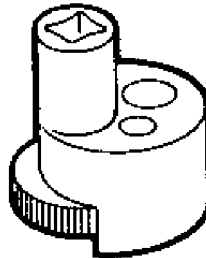
AIR FORCE AIR FORCE TO 32-1-101
ARMY ARMY TM 9-243
MARINE CORPS MARINE CORP TM 10209-10/1
NAVY (NAVAIR) NAVY M6290-AJ-MAN-1010

to apply the turning force required to operate the valve.



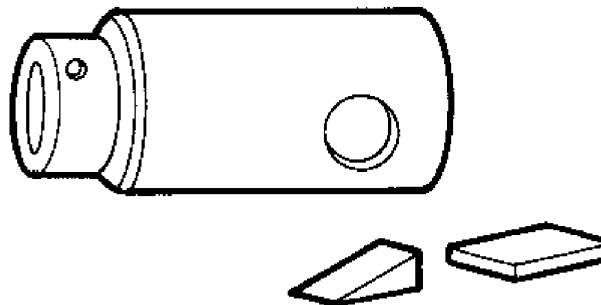
TO-32-1-101-395

The screwdriver-type socket wrench has a socket fixed on the bottom of a screwdriver handle. They are used to remove and/or install small nuts and bolts. Stud removers may be either the cam-operated type or the wedge type. They are used to remove studs from their seats for replacement. A single stud remover can be adjusted to remove different size studs.



TO-32-1-101-396

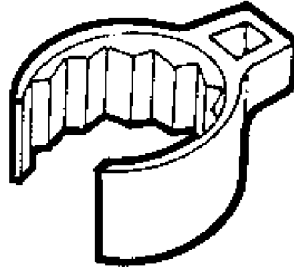
The cam-operated type uses a concentric cam to get a grip on the stud. The cam is tightened on the stud through mechanical linkage between the drive shank and the cam.



TO-32-1-101-397

Wedge-type stud removers are made of a socket housing and two metal wedges. The socket is placed over the stud to be removed and the wedges are driven into the socket to hold the stud. The socket housing is now turned with a handle to remove the stud.

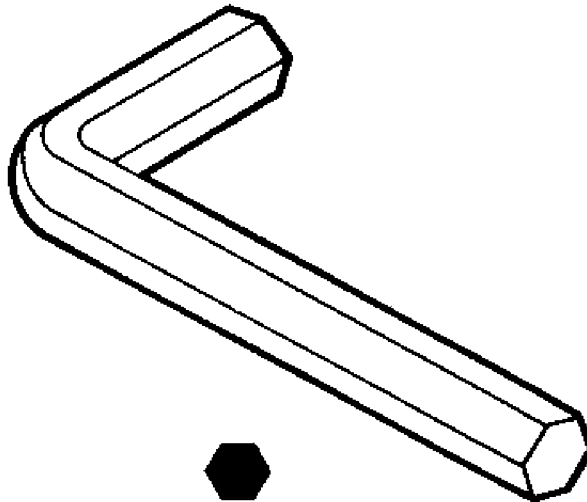
25.2.7 Crowfoot Wrench.



TO-32-1-101-398

The crowfoot wrench is an open-end wrench head which is turned with a socket handle. It is used to remove and/or install nuts or bolts. It is also used where an obstruction would prevent the use of a regular socket.

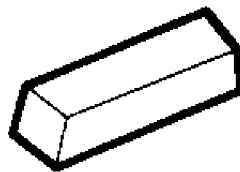
25.2.8 Hexagon Key Wrench (Shorter Section).



TO-32-1-101-399

The hexagon key wrench is an L-shaped, six sided wrench. Both ends of the “L” are the same size so you can turn the wrench either to gain access to the screw head or to obtain a leverage advantage. The hexagon key wrench is used to remove and/or install hexagon head screws.

25.2.9 Plug Wrenches. There are three basic types of plug wrenches, the bar-type, the multiple plug wrench, and the socket-type. Plug wrenches are used to remove and/or install drain plugs.

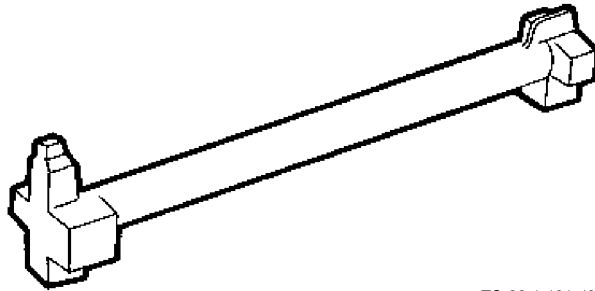


TO-32-1-101-400

Bar-type plug wrenches may be either square or hexagonal and are about two inches long. A combination wrench or

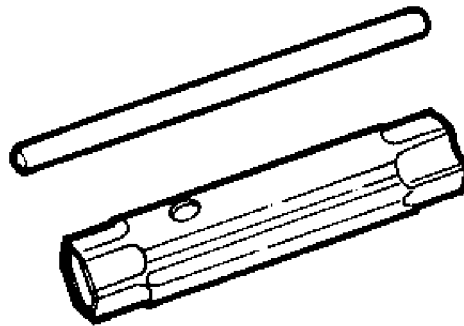
AIR FORCE AIR FORCE TO 32-1-101
ARMY ARMY TM 9-243
MARINE CORPS MARINE CORP TM 10209-10/1
NAVY (NAVAIR) NAVY M6290-AJ-MAN-1010

socket must be used to turn the plug.



TO-32-1-101-401

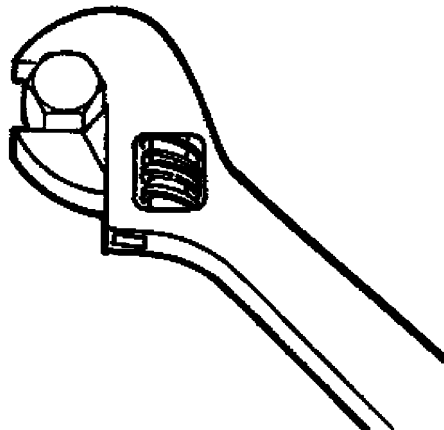
The multiple plug wrench combines several plug ends on a common handle.



TO-32-1-101-402

Socket-type plug wrenches are usually combined in sets with an assortment of handles. The set will contain several sizes.

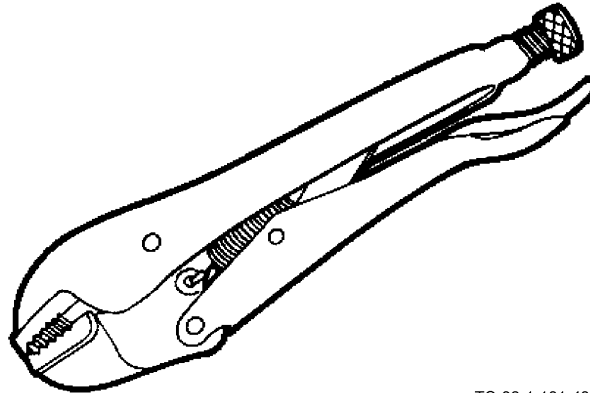
25.2.10 Adjustable Open-End Wrench.



TO-32-1-101-403

The adjustable open-end wrench has one fixed jaw and a movable or adjustable jaw. The adjustable jaw is set against the face of the nut by turning a knurled worm gear. Care must be exercised when using an adjustable wrench. Always use the fixed jaw for applying pressure to tighten or loosen nuts or bolts. Adjustable wrenches are used to remove and/or install nuts, bolts, and studs when the correct size wrench or socket is not available.

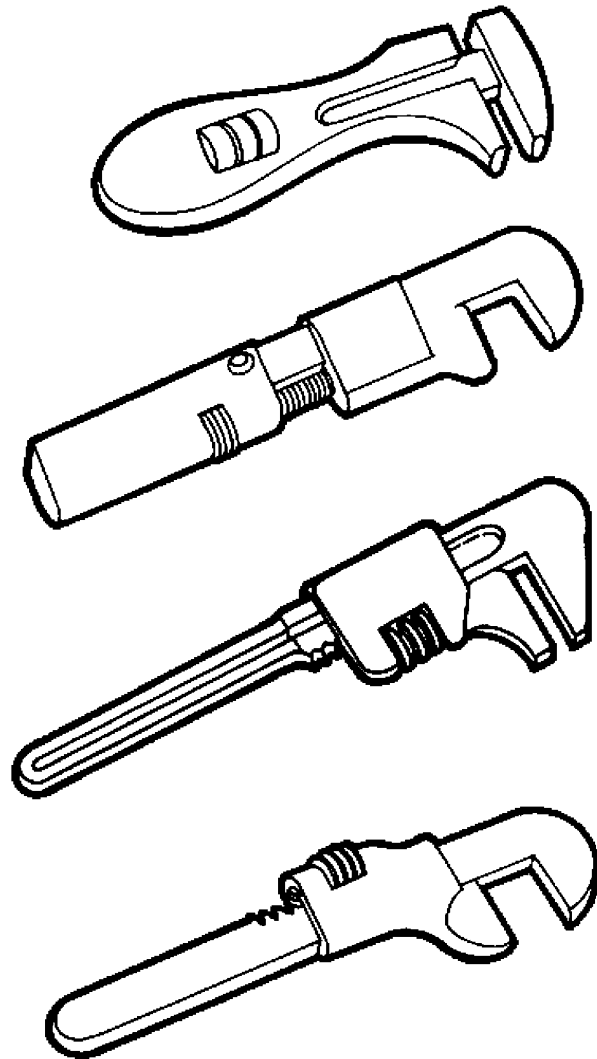
25.2.11 Clamp Pliers.



TO-32-1-101-404

The clamp pliers are generally used more as a wrench than as a pair of pliers. It has a fixed jaw and handle which contains an adjustment screw for the movable jaw. The other handle is in two sections, one section to apply pressure and to lock the pliers, and the other section, when pulled, to release the grip. Clamp pliers are used to hold or clamp nuts and bolts which have been rounded off by using the wrong size wrench.

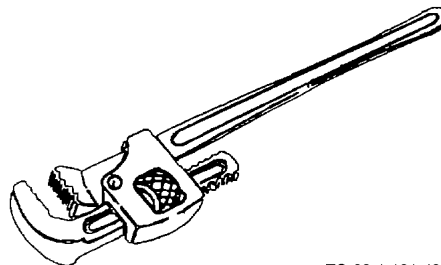
25.2.12 Monkey and Auto Wrenches.



TO-32-1-101-405

The monkey and auto wrenches are similar and have one fixed jaw and an adjustable jaw which moves along the handle by turning a knurled worm gear. Monkey and auto wrenches are used to install or remove odd size nuts and bolts. An adjustable wrench must be used with care. Always apply pressure against the fixed jaw.

25.2.13 Pipe Wrenches. There are three basic types of pipe wrenches, the stillson wrench, the strap wrench, and the chain wrench. They are all used to connect or break pipe joints or to turn cylindrical parts.



TO-32-1-101-406

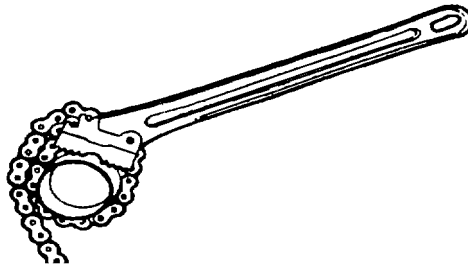
The stillson pipe wrench has a fixed jaw which is on the end of the handle and an adjustable jaw at the top of the

wrench. Adjustment is made by turning a knurled adjusting screw which moves the jaw. Always pull the pipe fitting towards the fixed jaw. The serrated (grooved) jaws of the stillson wrench will mar soft pipe.



TO-32-1-101-407

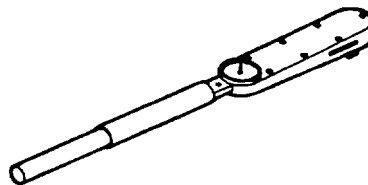
Strap pipe wrenches have a leather or canvas strap which is attached to the handle. The strap is looped around the pipe and back through the handle to grip the pipe. The strap pipe wrench will not scratch the surface of the pipe.



TO-32-1-101-408

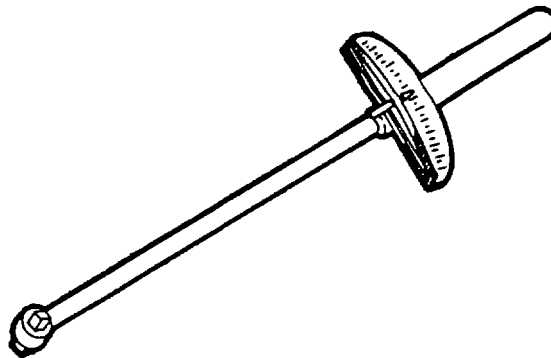
Chain pipe wrenches have a section of bicycle-type chain permanently attached to the handle. The upper section of the head has teeth which mate with the links of the chain. The chain is wrapped around the pipe and pulled over the head section of the wrench to grip the pipe. Chain pipe wrenches will scratch the surface of the pipe.

25.2.14 Torque Wrenches. Torque wrenches are designed to measure the specific degree of tightness of nuts or bolts. Torque wrenches are considered precision instruments and therefore must be calibrated at regular intervals. Torque wrenches are used for final tightening of nuts and bolts. After use of the click type torque wrench, the user will reset torque wrench to lowest setting.



TO-32-1-101-409

A dial torque wrench has a head which contains the drive element and a dial for reading the exact amount of torque.

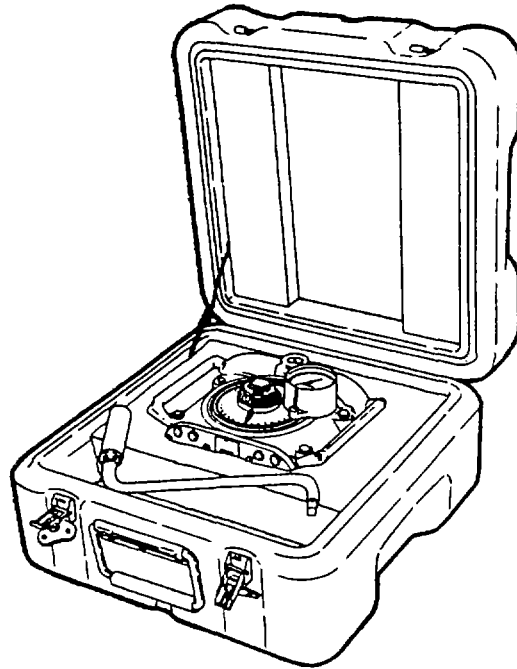


TO-32-1-101-410

A scale torque wrench has a rod which runs parallel to the handle and the drive element. This rod moves across the scale to the right or left as torque is applied.

AIR FORCE AIR FORCE TO 32-1-101
ARMY ARMY TM 9-243
MARINE CORPS MARINE CORP TM 10209-10/1
NAVY (NAVAIR) NAVY M6290-AJ-MAN-1010

25.2.15 Power Torque Wrench.



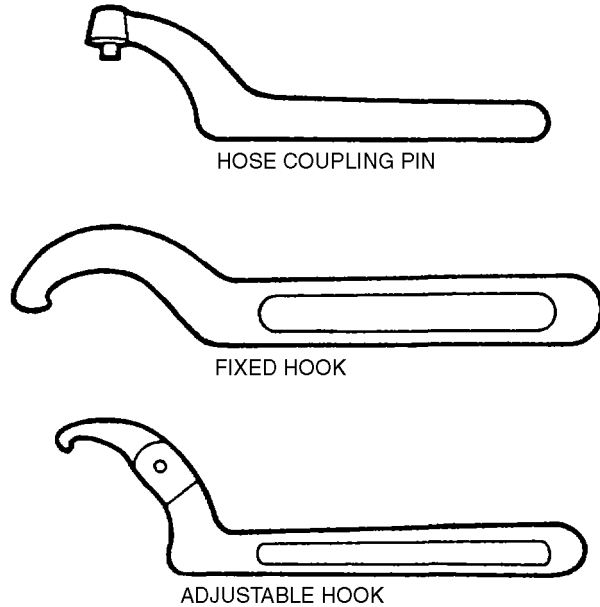
TO-32-1-101-411

Using a powerful gear train, the power torque wrench is completely mechanical in operation. The power torque wrench is operated by a hand crank, but power tools such as the electric drill can be used to speed operations. The torque is calibrated in foot pounds, which is shown by a dial indicator on the top face of the power torque wrench. This type of torque wrench is used for tightening nuts and bolts requiring 200 or more foot pounds of torque.

NOTE

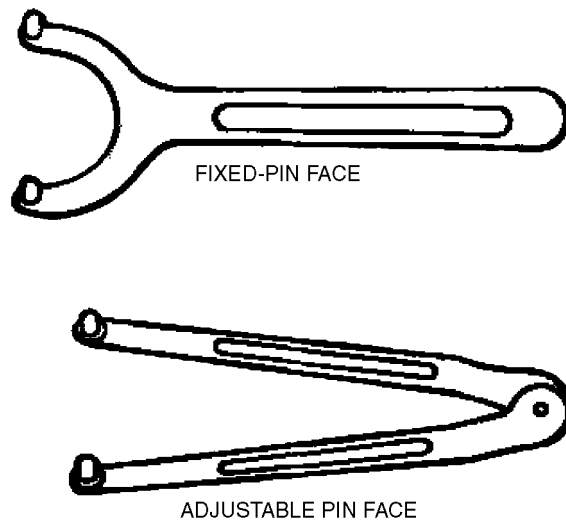
A special feature of this type of torque wrench is that it is possible to loosen as well as tighten nuts and bolts.

25.2.16 **Spanner Wrenches.** Two basic types of spanner wrenches are the hook-type and the pin-type. Hook-type spanner wrenches are either fixed or adjustable and are normally used to tighten fire hoses or similar couplings which have a protruding lip. Pin-type spanner wrenches have pins protruding from the handle which fit into holes in the coupling or plate to be tightened or loosened. Spanner wrenches are special purpose wrenches and are to be used only for their intended purpose.



TO-32-1-101-412

Three kinds of hook-type wrenches include the hose coupling pin, for tightening and loosening hose couplings, the fixed hook, for tightening or loosening couplings with protruding rims or edges, and the adjustable hook-type. The adjustable hook-type is similar to the fixed hook-type. However, it may be adjusted around objects and fastened before use.



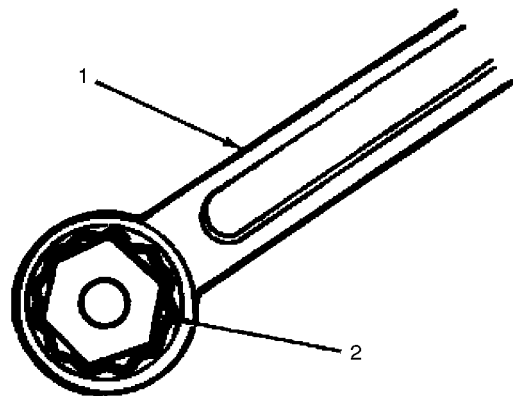
TO-32-1-101-413

There are two basic pin-type wrenches. The fixed-pin face has been designed to fit a particular pattern and is nonadjustable. The fixed-pin face is used to remove protective cover plates. The adjustable pin face has two arms joined at a common point. The other end of the arms contain pins which may be engaged in the holes of a cover plate for removal.

25.3 WRENCH SAFETY.

1. Wrenches should fit the nuts or bolts they are to loosen or tighten.
2. Never turn adjustable wrenches so that the pulling force is applied to the adjustable jaw.
3. Do not attempt to extend the handle in any way to increase the leverage on a wrench. Increased leverage may damage the wrench or the work.
4. Apply penetrating oil to rusted nuts and/or bolts that resist turning. Allow time for oil to penetrate before attempting to turn.
5. Do not strike wrenches with hammers to tighten or loosen nuts or bolts.
6. Do not exert a hard pull on a pipe wrench until it has gripped the work firmly.
7. Remember to pull on the wrench, when possible, in order to protect your knuckles in case the wrench slips.
8. Return all wrenches to their proper places upon completion of each job. This eliminates the possibility of leaving them where they can injure someone.
9. Always keep the wrench in good condition, clean and free from oil or grease. Otherwise it may slip, resulting in possible serious injury to you or damage to the work.

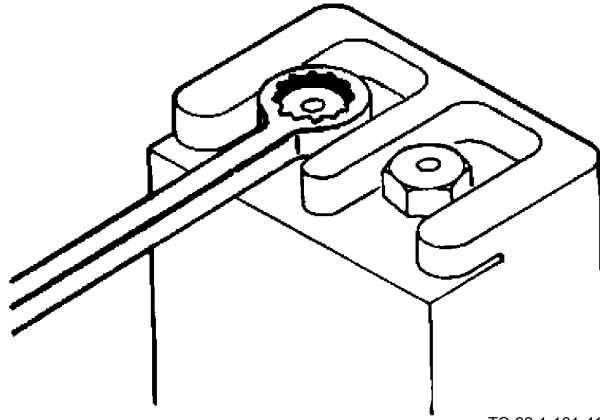
25.4 HOW TO USE A BOX WRENCH.



TO-32-1-101-414

- a. Select the size of wrench that fits the nut or bolt.

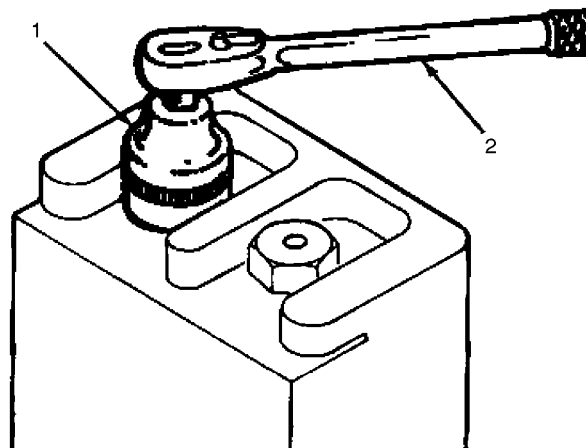
- b. Place the wrench (1) on the nut or bolt (2). Swing the wrench clockwise to tighten and counterclockwise to loosen for a right hand threaded nut or bolt. Reverse the above for a left hand threaded nut or bolt.



TO-32-1-101-415

- c. If there is insufficient room to swing the wrench in a full circle, lift it completely off the nut when it comes to the limit of the swing, and place it in a new position, permitting another swing. A swing through of a 15 degree arc is usually sufficient to continuously loosen or tighten a nut or bolt.
- d. After the nut is tight, give it a final tightening.

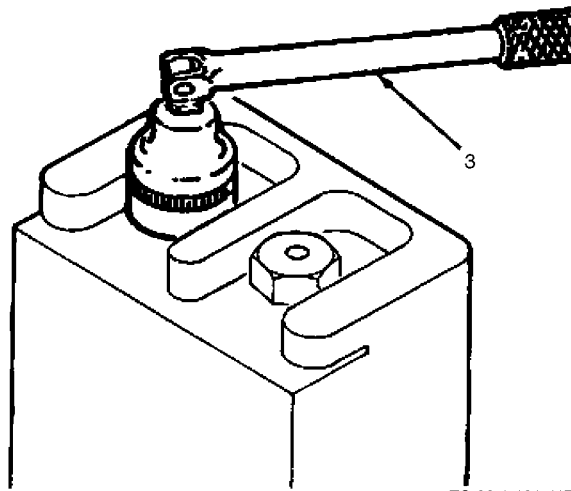
25.5 USING A SOCKET WRENCH.



TO-32-1-101-416

- a. Select the size of socket (1) that fits the nut or bolt to be turned and push it onto the handle (2) which is best suited to the job.
- b. If there is room to swing, use the ratchet handle. (The handle may be made to ratchet in one direction for tightening work and in the other direction for loosening work.)

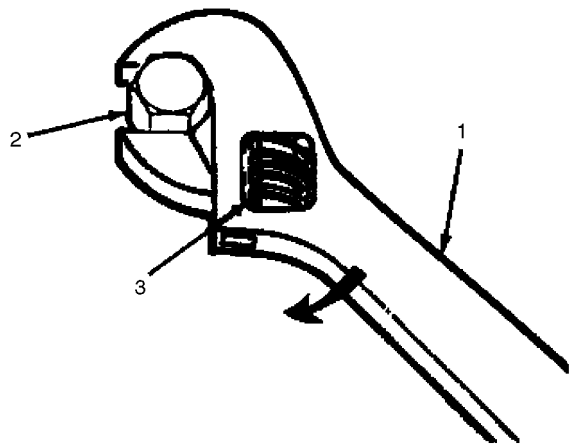
- c. Swing the handle back and forth to turn the nut in the desired direction. (The socket need not be raised from the nut at the end of each swing.)



TO-32-1-101-417

- d. When a tight nut is to be loosened or a nut is to be set up, the nut hinged handle (3) can be swung at right angles to the socket to provide the most leverage. At the point where the nut turns easily, the handle can be swung to a vertical position and twisted rapidly between the fingers in the same manner as a screwdriver.

25.6 USING AN ADJUSTABLE OPEN-END WRENCH.



TO-32-1-101-418

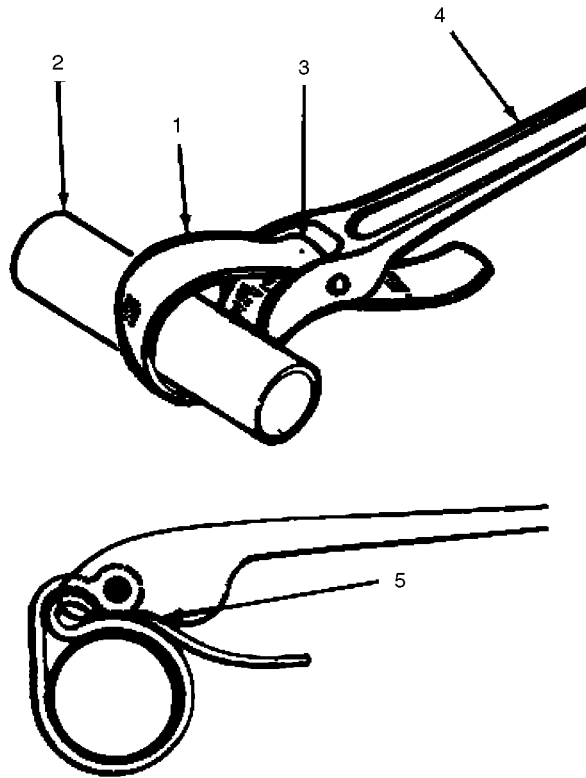
- a. Place the wrench (1) on the nut (2) so that the force used to turn it is applied to the stationary jaw side of the wrench.
b. Tighten the knurled adjusting nut (3) until the wrench fits the nut as tightly as possible.



If the wrench does not fit tightly, it will slip and round the corner of the nut. Failure to comply could result in damage to, or destruction of, equipment or loss of mission effectiveness.

- c. Swing the wrench clockwise to tighten the nut.
- d. After the nut is tight, set it up (final tightening).

25.7 USING AN ADJUSTABLE STRAP PIPE WRENCH.



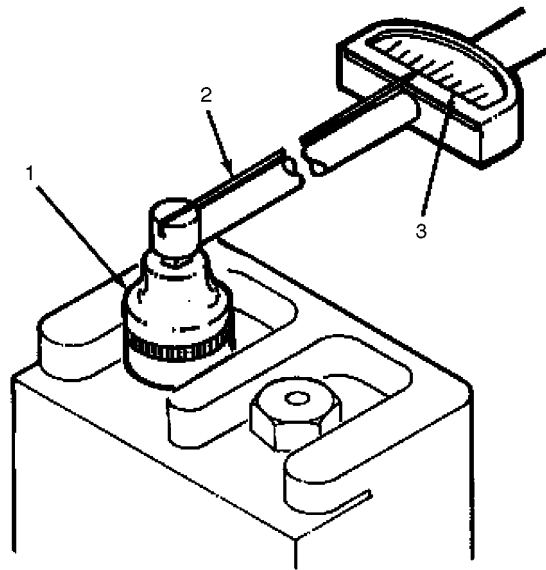
TO-32-1-101-419

- a. Loop the strap (1) around the pipe (2) in the opposite direction to that in which the pipe is to be rotated.
- b. Slip the end of the strap through the shackle (3) and draw it up tightly.
- c. Pull the handle (4) to turn the pipe in the desired direction until the desired tightness is obtained.

NOTE

The jaw (5) at the end of the shackle will seat against the strap and, as the handle is pulled, the strap will tighten and turn the pipe.

25.8 USING THE TORQUE WRENCH.



TO-32-1-101-420

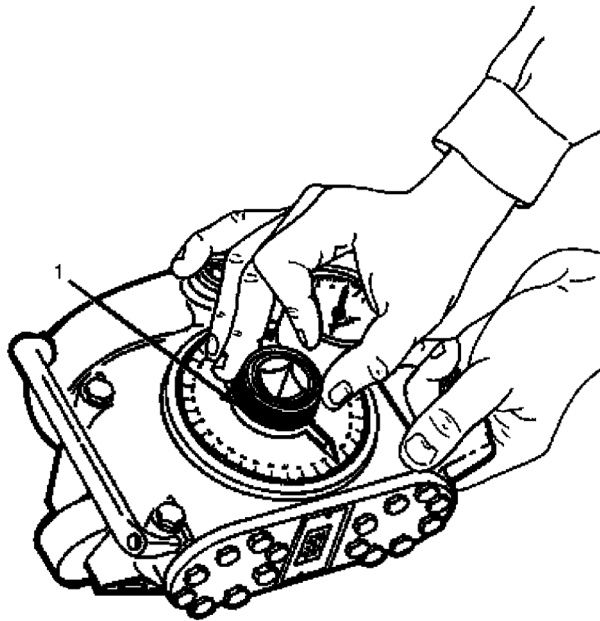
- a. Select proper size socket wrench (1) and attach to torque wrench square drive (2).
- b. Place socket wrench on work and pull the torque wrench handle in the desired direction to tighten the work.
- c. Do not use torque instrument to break fasteners loose.
- d. Do not exceed rated torque as over torquing can cause wrench or part failure.

NOTE

The tightening torque will be indicated on the dial or scale (3), depending on the type of the torque wrench used.

- e. Remove the wrench when the torque on the dial or scale is reached.

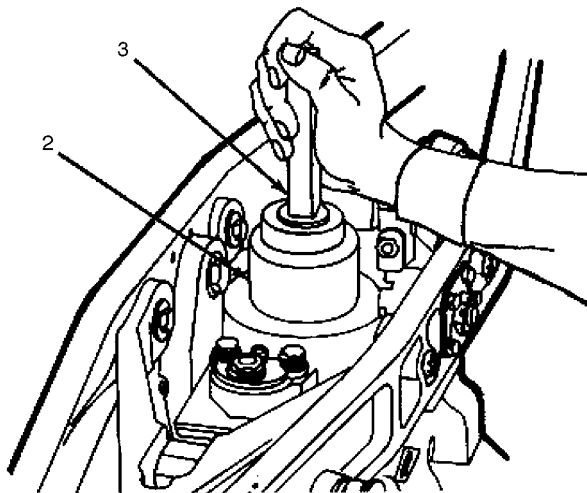
25.9 USING THE POWER TORQUE WRENCH.



TO-32-1-101-421

NOTE

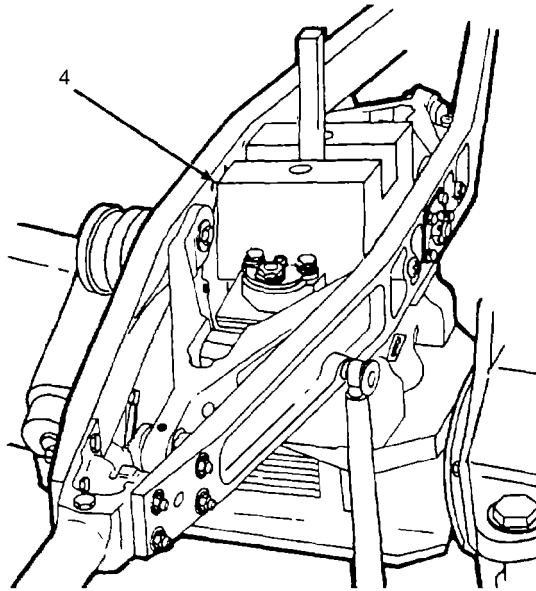
The following procedure is not the only application for the power torque wrench. However, use of this tool is basically the same regardless of model or application.



TO-32-1-101-423

- a. To tighten a nut, set the knurled ratchet indexer (1) (located on the front of the wrench) in the same direction the handle will be turned.
- b. Install applicable socket (2) onto the nut to be tightened.

- c. Install square drive bar (3) into the socket.

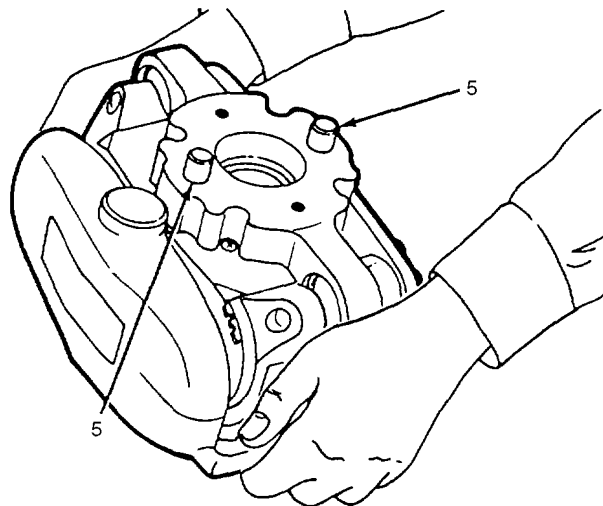


TO-32-1-101-423

CAUTION

Different reaction adapters are required for various operations. Be careful to use the correct reaction torque adapter. Failure to do so will render torque wrench useless and can damage the equipment.

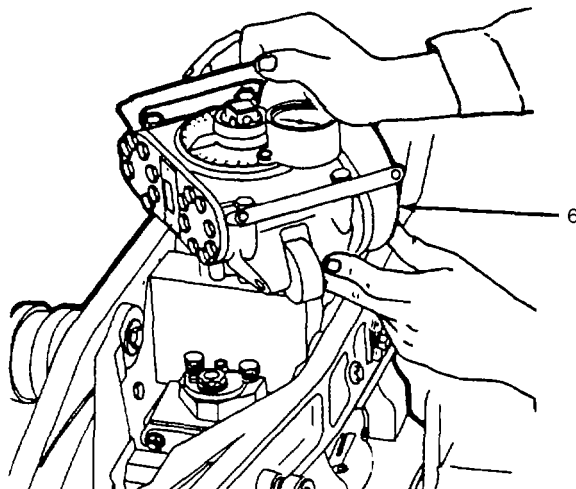
- d. Install reaction torque adapter (4) over drive bar and socket as shown.



TO-32-1-101-424

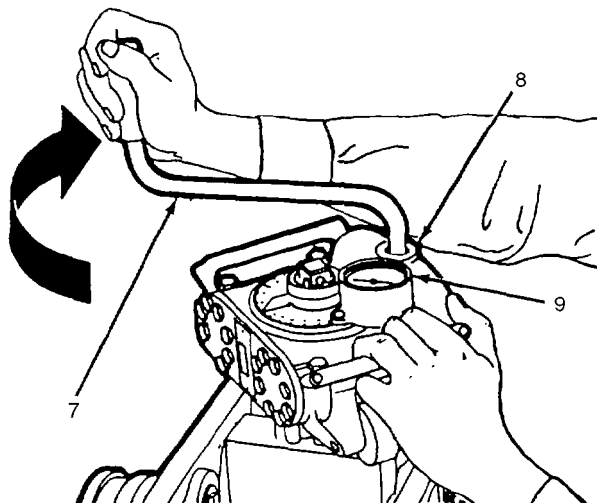
NOTE

When installing power torque wrench, make sure the two locking pins (5) underneath the wrench are firmly engaged to the reaction torque adapter.



TO-32-1-101-425

- e. Install power wrench (6) onto square drive bar and reaction torque adapter. Rotate power wrench until the reaction torque adapter engages a fixed point.

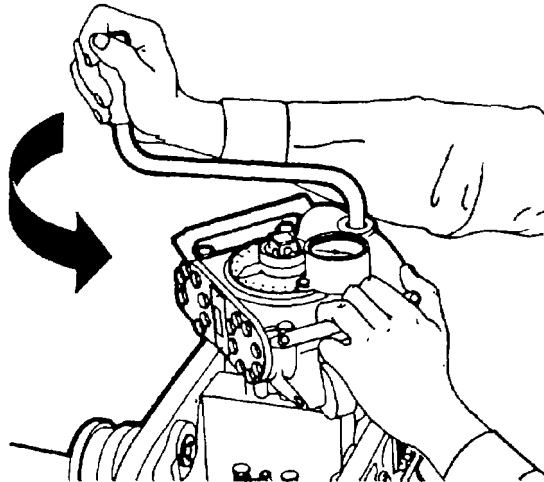


TO-32-1-101-426



Do not use impact wrench of any kind to operate this wrench. Failure to comply could result in damage to, or destruction of, equipment or loss of mission effectiveness.

- f. Install the crank handle (7) into the square input (8) and turn in the same direction as the output must turn.
- g. Continue to turn crank until torque indicator (9) shows the desired torque reading.



TO-32-1-101-427

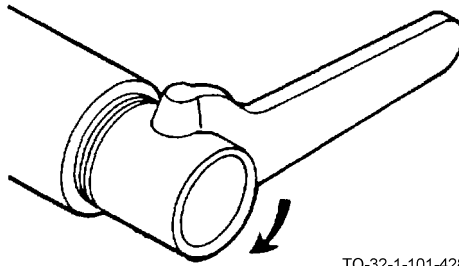
- h. After obtaining the desired torque, turn the crank in the opposite direction until the torque indicator returns to zero (green band). This will remove the holding pressure on the wrench.
- i. Remove the wrench, adapter, and socket.
- j. To loosen a nut, repeat Step a through Step f.

NOTE

Normally, torque will build up in the wrench until break-away torque is reached. As the torque load is released, the indicator will reverse direction.

- k. Continue to turn crank until indicator returns to "O."
- l. Remove the wrench, adapter, drive bar and socket.

25.10 USING A SPANNER WRENCH.



TO-32-1-101-428

- a. Insert the pins or lugs into the pin holes of the part.
- b. Keep the pin face of the wrench flush against the surface and turn the wrench.
- c. Exert enough force against the wrench so that the pins do not pop out of the holes.
- d. Make certain that the pins fit the holes and the force is applied with the handle perpendicular to the work.
- e. Remove the wrench when desired tightness is obtained.

25.11 CARE.

- a. Clean all wrenches after each use.
- b. Wrenches that come in sets should be returned to their cases after use.
- c. Apply a thin film of oil to the metal parts of all wrenches before storing them.
- d. For long-term storage, the wrenches should be covered with a rust-preventive compound and carefully stored in a dry place.

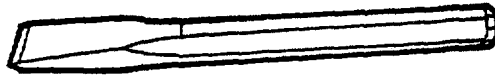
CHAPTER 26 CHISELS

26.1 HOW TO CHOOSE AND USE CHISELS.

Types and Uses, Paragraph 26.2, provides you with a list of some of the types of chisels. These pages should help you select the right chisel to do the job. Using, Paragraph 26.3, tells you how to use the chisel to perform the desired function. Care of Chisels, Paragraph 26.6, tells you how to care for the items.



TO-32-1-101-429



26.2 CHISELS TYPES AND USES.

26.2.1 Woodworker's Chisels.



TO-32-1-101-430

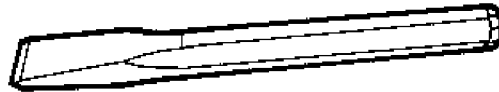
There are two types of woodworker's chisels. The socket type has a blade and socket handle forged of high carbon steel in a single casting. The wooden handle is inserted into the socket. This type of chisel is used to cut and pare off wood. Generally socket-type chisels are used for heavier cutting when a hammer or mallet may be required for additional driving force.



TO-32-1-101-431

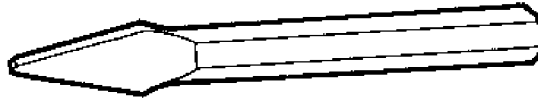
The tang-type chisel is forged in a single casting. The handle is drilled and inserted over the tang and reinforced with a metal band. The tang-type chisels are also used to cut and pare wood. However, the driving force required is hand pressure only.

26.2.2 Machinist's Chisels.



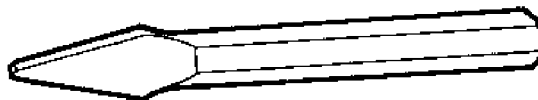
TO-32-1-101-432

Machinist's chisels are designed to cut and shape cold metal and are usually struck with a hammer. The flat or cold chisel is composed of hardened steel and has a tapered cutting edge on one end and a flat base on the other end.



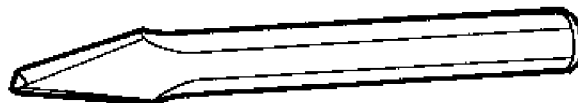
TO-32-1-101-433

The diamond point chisel has a solid point on one end and a flat base on the other end. It is used for drawing and cutting holes in flat stocks and to cut V-grooves.



TO-32-1-101-433

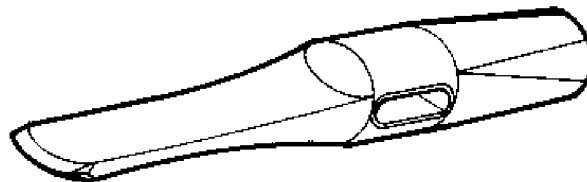
The cape chisel has a small solid point on one end and a flat base on the other end. It is used for cutting keyways or slots in metal, and square corners.



TO-32-1-101-434

The roundnose chisel has a ground edge on one end and a flat base on the other end and an octagon-shaped stock. It is used to align drilled holes, cut channels, cut oil grooves and similar work.

26.2.3 Track Chisel.



TO-32-1-101-435

The track chisel has a beveled point on one edge and a flat face on the other end. The cutting edge is 1-3/8 inches wide; the overall length is 10-1/2 inches and it weighs 5-1/2 pounds. The track chisel is used with a 22 inch sledge hammer to remove track bolts, boiler rivet heads and cut rail when a saw or cutting torch is not available.

26.2.4 Rivet Buster Chisel.



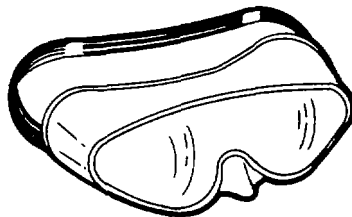
TO-32-1-101-436

The rivet buster chisel has a single ground flat cutting edge on one end and a flat face on the other end. The cutting edge is about 3/4 inch wide and the overall length is about 9 inches. It is used for cutting off chassis rivets and in other difficult places which cannot be reached by other chisels.

26.3 USING A WOODWORKER'S CHISEL.

WARNING

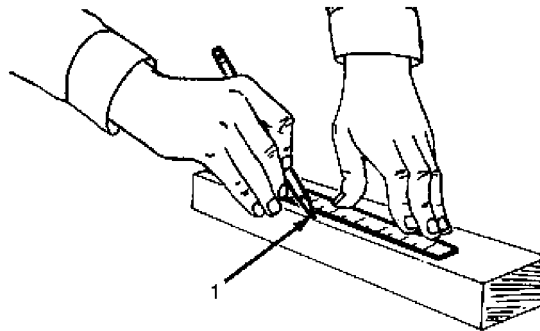
Wear eye protection. Keep both hands back of the cutting edge at all times. Failure to comply could result in injury to, or death of, personnel or long term health hazards.



TO-32-1-101-200

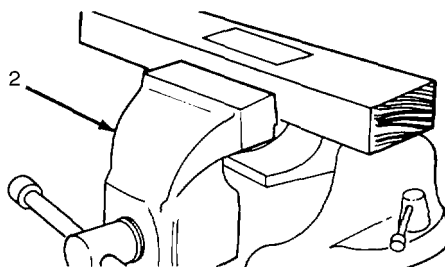
NOTE

The following procedure is designed for using a woodworker's chisel.



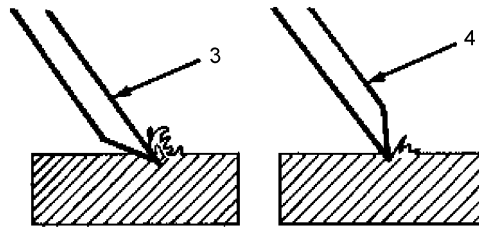
TO-32-1-101-437

- a. With rule and pencil, mark area (1) to be cut with the chisel.



TO-32-1-101-438

- b. Examine the grain of the wood, and place securely in a vise (2) so you are cutting with the grain. The wood should not be able to move in any direction.



TO-32-1-101-439

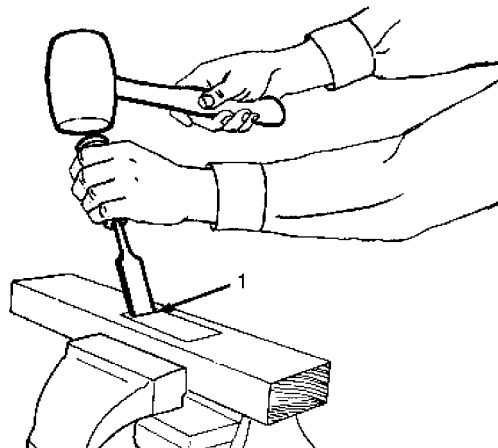
- c. Rough cuts are made with bevel side down (3), while smooth finishing cuts (4) are made with bevel side up.

WARNING

Never cut toward yourself with a chisel. Failure to comply could result in injury to, or death of, personnel or long term health hazards.

CAUTION

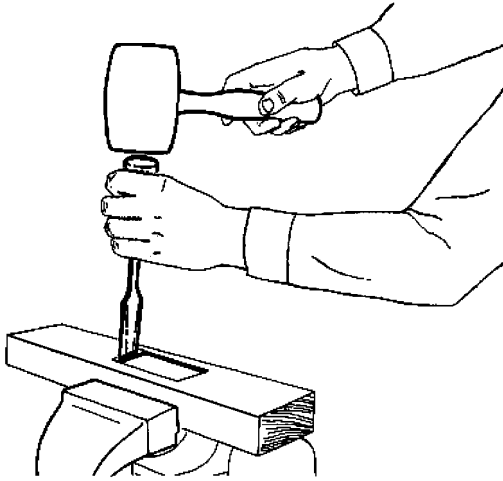
Use short, rapid mallet blows to control depth and length of cut. Failure to comply could result in damage to, or destruction of, equipment or loss of mission effectiveness.



TO-32-1-101-423

- d. Start your cut about 1/8 inch from the guide line (1). Using a chisel and mallet, make your cut toward the center (the waste area) to protect the edge.

- e. Make small thin cuts. This prevents breaking or splitting of the work. Check your guide marks often to prevent overcutting.



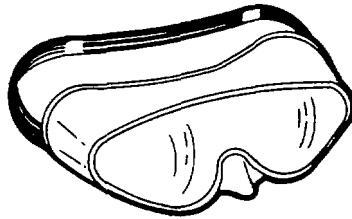
TO-32-1-101-441

- f. Remove the last 1/8 inch using chisel and mallet to complete the job.

26.4 USING A MACHINIST'S COLD CHISEL.

WARNING

Wear eye protection. Failure to comply could result in injury to, or death of, personnel or long term health hazards.

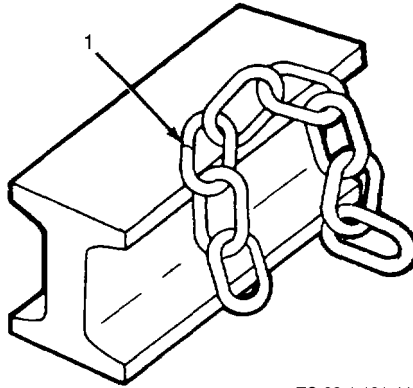


TO-32-1-101-200

AIR FORCE AIR FORCE TO 32-1-101
ARMY ARMY TM 9-243
MARINE CORPS MARINE CORP TM 10209-10/1
NAVY (NAVAIR) NAVY M6290-AJ-MAN-1010

NOTE

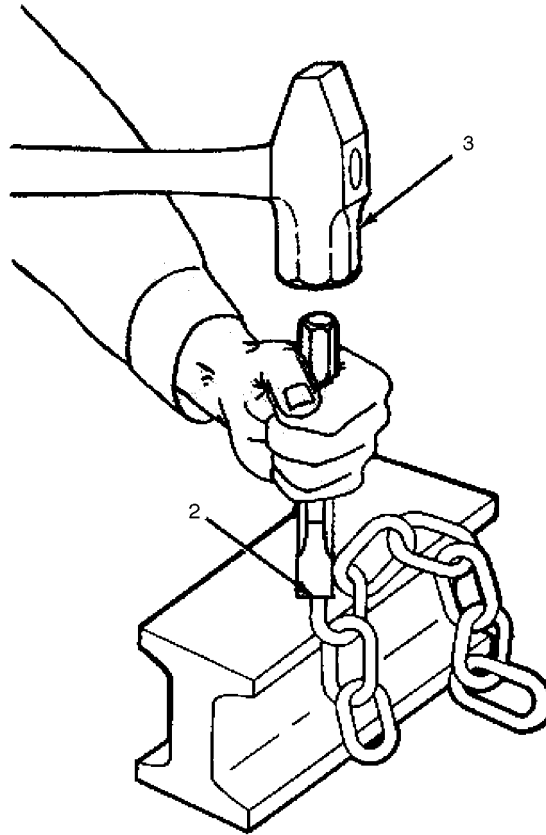
The following procedure is designed for using a machinist's cold chisel. However, cutting round stock is not the only use for this type of chisel.



TO-32-1-101-442

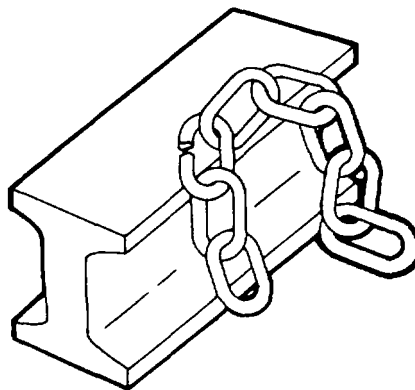
- a. With a rule and marking pencil measure desired length and mark.

- b. Place mark on a hard steel surface (1) (anvil, closed vise jaws, etc.).



TO-32-1-101-443

- c. Place cutting edge (2) of chisel on the mark with chisel straight up and down.
d. Lightly strike the chisel with a hammer (3) and check chisel mark to be sure you are cutting on the desired mark.



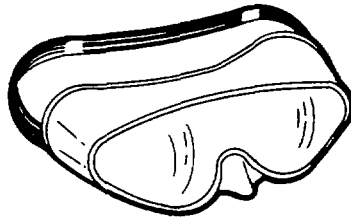
TO-32-1-101-444

- e. Continue striking chisel with the hammer until cut is through the round stock. A larger diameter stock is cut the same way except it is turned over after the cut is about half way through the rod.

26.5 USING A RIVET BUSTER CHISEL.

WARNING

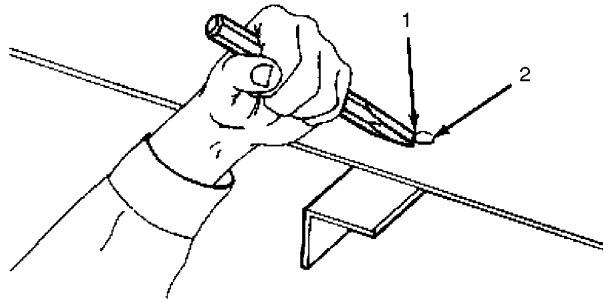
Wear eye protection. Failure to comply could result in injury to, or death of, personnel or long term health hazards.



TO-32-1-101-200

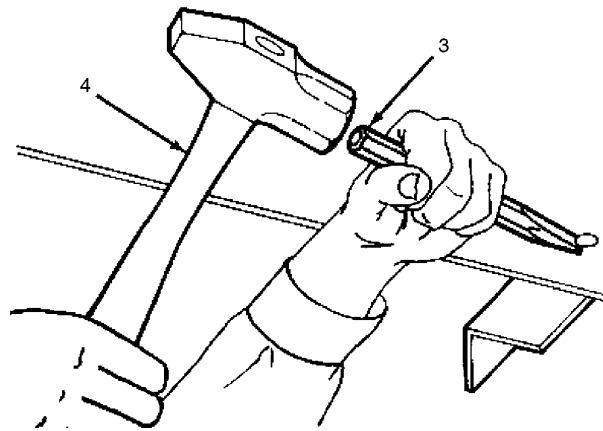
NOTE

The following procedures are designed for using a rivet buster chisel.



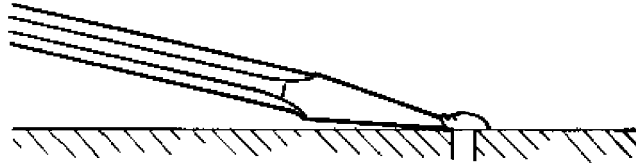
TO-32-1-101-445

- a. Place cutting edge (1) of the chisel firmly against the rivet shaft (2) between the head and the metal.



TO-32-1-101-446

- b. Grip the chisel firmly and strike chisel head (3) with a machinist's or sledge hammer (4).



TO-32-1-101-447

- c. Continue striking chisel head until rivet head has been cut off.

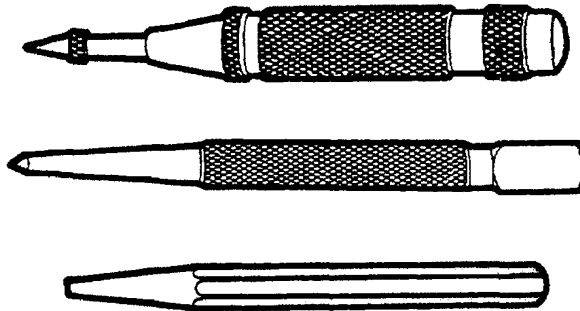
26.6 CARE OF CHISELS.

- a. Protect the cutting edges by installing protective covers.
- b. Store in racks or where they may not be chipped or broken.
- c. Lubricate with a light coat of oil before storing.
- d. Regrind broken or chipped edges before using.

CHAPTER 27 PUNCHES

27.1 HOW TO CHOOSE AND USE PUNCHES.

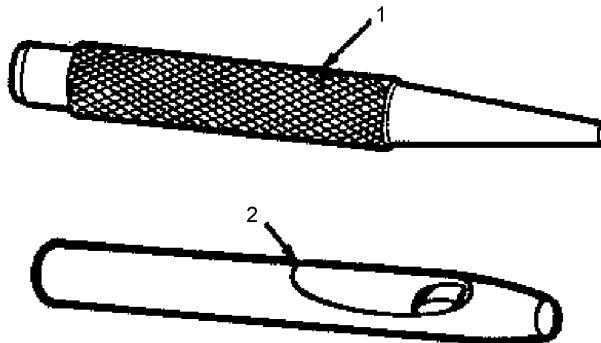
Types and Uses, Paragraph 27.2, provides you with a list of, some of the types of punches. These pages should help you select the right punch to do the job. Using, Paragraph 27.2, tells you how to use the punch to perform the desired function. Care of Punches, Paragraph 27.6, tells you how to care for the items.



TO-32-1-101-448

27.2 PUNCHES TYPES AND USES.

There are two basic types of punches; solid (1) which are the most common, and hollow (2) which are usually designed for punching holes in leather, paper, and other similar materials. Solid punches are used to mark metal, drive pins, align holes and to do other similar jobs.



TO-32-1-101-449

27.2.1 Center Punches. There are two types of center punches, both used for starting drill holes.



TO-32-1-101-450

The hand-held type has a narrow, cone-shaped point terminating in a sharp, conical tip. Hand-held types range from 1/8

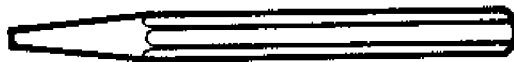
to 5/8 inches in diameter and from 3 to 6 inches long. The handheld punch must be struck with a hammer.



TO-32-1-101-451

The automatic type has an adjustable regulator for determining the impact of the punch and also has interchangeable points. The automatic punch contains a tension spring for marking without the use of a hammer.

27.2.2 Drift Punch.



TO-32-1-101-452

The drift punch has a narrow, tapered flat point. The points range in size from 1/8 to 1/2 inch in diameter with an overall length from 7 to 9 inches. Drift punches may be used to remove shafts, pins, rivets (after heads have been removed), and to align small parts.

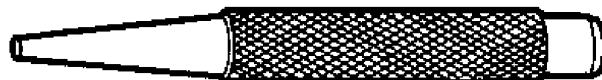
27.2.3 Alignment Punch.



TO-32-1-101-453

The alignment punch has a narrow, tapered flat point. The points range in size from 1/8 to 1/2 inch in diameter with an overall length of 12 to 15 inches. Alignment punches are used to line up mating parts for assembly. Make sure the punch is large enough for the job. A punch that is too small may bend or break.

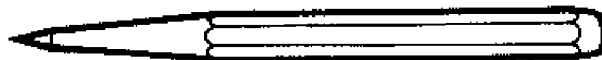
27.2.4 Drive Pin Punch.



TO-32-1-101-454

The drive pin punch has a flat tip which may be tapered. Points may range in size from 0.03 to 1/2 inch and are from 3 to 6 inches long. Standard drive pin punches usually come in sets of nine. Drive pin punches are used to remove straight or tapered pins. Make sure the right size punch is used for the pin being removed.

27.2.5 Prick Punch.



TO-32-1-101-455

The prick punch has a long, conical-shaped point and ranges from 4 to 5 inches in length overall. It is used to mark soft metal.

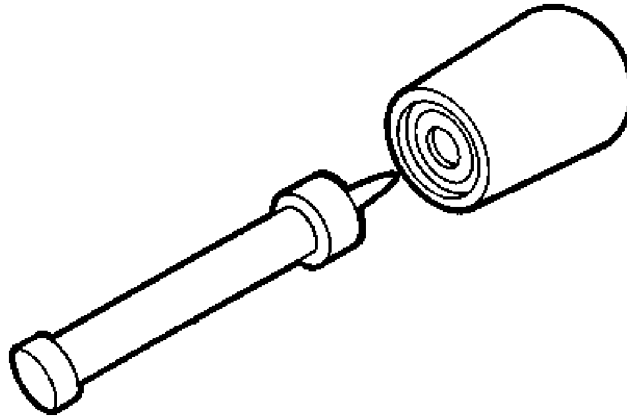
27.2.6 Starting Punch.



TO-32-1-101-456

The starting punch has a strong tapered point capable of resisting applied force. It is used to start the removal of a pin from an assembly.

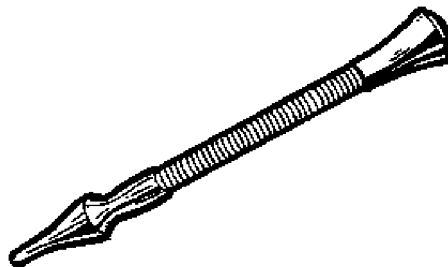
27.2.7 Grommet-Inserting Punch.



TO-32-1-101-457

The grommet-inserting punch consists of two parts. The solid punch part has a tapered point and a flat shoulder. The round die part has flat ends with a bored hole in one end to receive the point of the punch. Grommet-inserting punches are used to form the flange on grommets which are installed along the edges of flags, sails, mail bags, and similar items.

27.2.8 Catapunch.



TO-32-1-101-458

The catapunch consists of a pointed head mounted on a coiled spring shaft. It is used to mark centers on metal or wood without the use of a hammer.

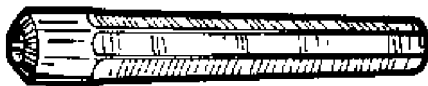
27.2.9 Metal Cutting Punch.



TO-32-1-101-459

The metal cutting punch has an open, sharpened edge on one end and a solid shaft on the other end. The center portion of the punch is bowed for catching the metal scrap. The metal cutting punch ranges in size from 1/4 inch to 1 inch. Metal cutting punches are used to punch holes in thin sheet metal and require the use of a mallet or machinist's hammer.

27.2.10 Tinmen's Hollow Punch.



TO-32-1-101-460

The tinmen's hollow punch has a solid metal shank terminating in a sharpened, hollowed end. It is used to punch holes through thin sheet metal.

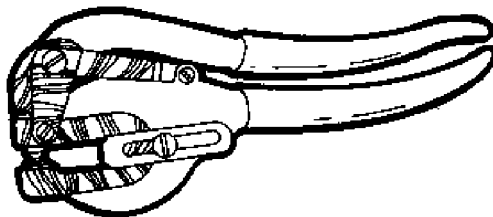
27.2.11 Sheet Metal Punch.



TO-32-1-101-461

The sheet metal punch is a heavy-duty steel punch approximately seven inches in length. It tapers to a fine point and must be struck to produce the hole. It is used to punch holes through sheet metal to take fastenings.

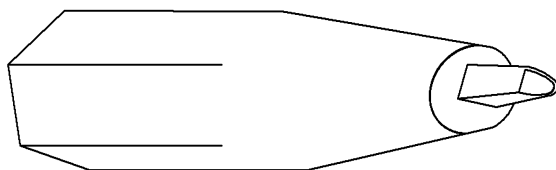
27.2.12 Lever Punch.



TO-32-1-101-462

The lever punch incorporates an interchangeable punch and a matching die or "anvil." The die backs up the material, prevents distortion, and leaves a clean hole. This type of punch is used to punch small round holes near the edges of metal or leather material.

27.2.13 Screw Punch.



TO-32-1-101-463

NOTE

Specific configurations or modification of screw punch construction can be accomplished to properly meet specific on-site situations.

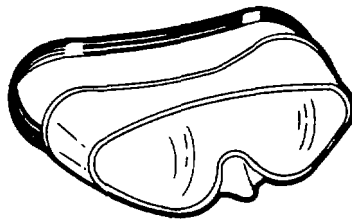
The screw punch is a common screw removal tool which is locally manufactured by metals technology shops. Accomplish all local manufacture in accordance with local procedures and quality assurance mandates. The screw punch is used to loosen over-torqued and corroded screws. To make a common screw punch like the one shown in the figure above, use a 5 inch to 6 inch long piece of 1 - 1.250 inch steel or brass hexagon stock and a 3/8 inch high-speed steel tool bit. Drill a hole in the end of the hexagon handle to a depth equal to half the length of the tool bit. Make the diameter of the hole slightly less than the dimension across the corners of the tool bit. This allows you to press the tool bit into the handle. Round all sharp corners and grind the end of the tool bit square before you press it into the hole. After you press the tool into the holder, chamfer the end of the punch's body nearest the tool bit to assure visibility and clearance from the parent

part. Then grind the working end of the tool bit to approximately a 10 degree angle. The angle allows the cutting edge to dig into the screw head enough to prevent slipping, but not so much that it acts like a chisel. Grind the top and sides of the tool bit round to keep them from digging into the area around a screw. Be sure to also round the handle. Just as with a chisel or punch, rounding the handle prevents the end from mushrooming. Since the tool bit can shatter, tape all but the last 1/4 inch to keep the pieces from flying if the bit does break.

27.3 USING A CENTER PUNCH.

WARNING

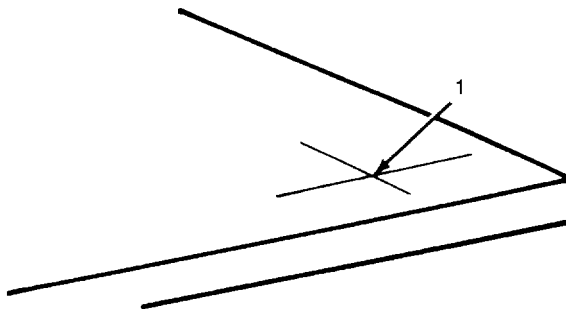
Wear eye protection. Failure to comply could result in injury to, or death of, personnel or long term health hazards.



TO-32-1-101-200

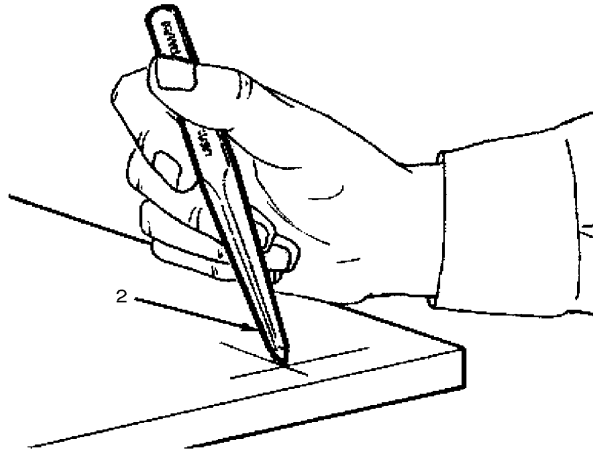
NOTE

The procedure which follows is only one of many uses of a hand-held center punch.



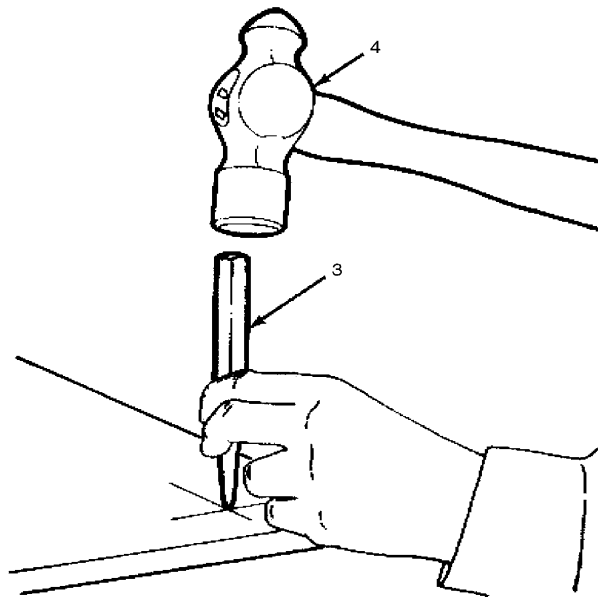
TO-32-1-101-464

- a. Mark the material to be punched with an "X" (1).



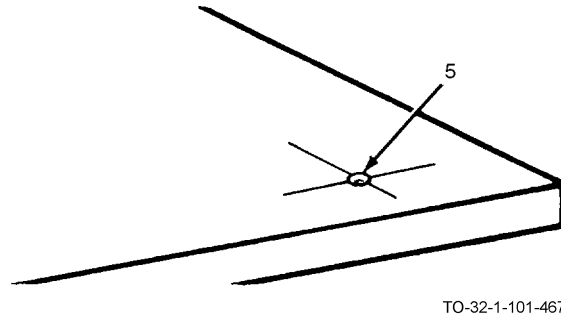
TO-32-1-101-465

- b. Hold the punch (2) over the mark. Tilt it so that you can align the tip with the center of the "X".



TO-32-1-101-466

- c. Position the punch upright and strike the blunt end (3) of the punch with a hammer (4).

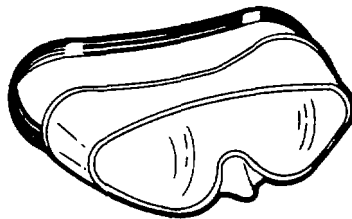


- d. Remove the punch and check your mark (5). If it is not in the center of the “X” or not deep enough, you will have to repeat the procedure.

27.4 USING A DRIFT PUNCH.

WARNING

Wear eye protection. Failure to comply could result in injury to, or death of, personnel or long term health hazards.

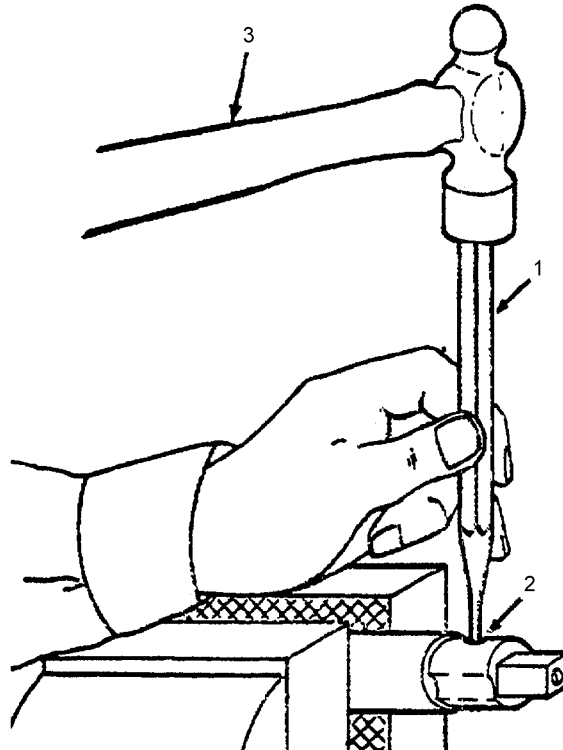


TO-32-1-101-200

NOTE

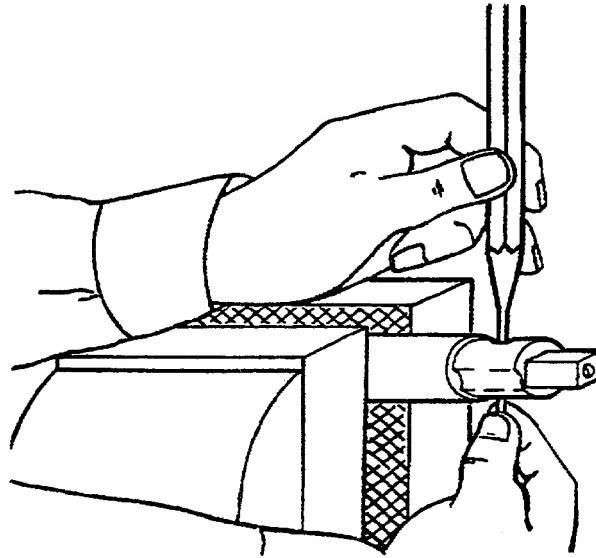
The removal of a pin from a shaft is only one of many uses for a drift punch.

- a. Select a punch which is slightly smaller than the pin which is to be removed. Care must be taken when selecting a punch for removing a split pin. If the punch is too small, it may become lodged in the pin.



TO-32-1-101-468

- b. Hold punch (1) centered over pin (2). Tap punch lightly with hammer (3). This should move the pin. It may be necessary to apply penetrating oil to the pin before it will move.



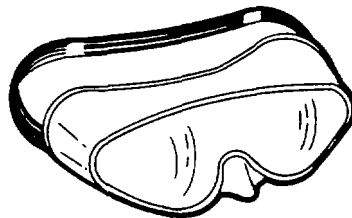
TO-32-1-101-469

- c. Catch the pin before it falls out of the shaft. When the pin is about half way out of the shaft, you can let go of the punch.

27.5 USING AN ALIGNMENT PUNCH.

WARNING

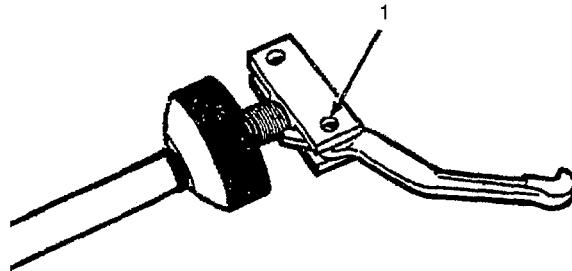
Wear eye protection. Do not strike the punch with a hammer. Failure to comply could result in injury to, or death of, personnel or long term health hazards



TO-32-1-101-200

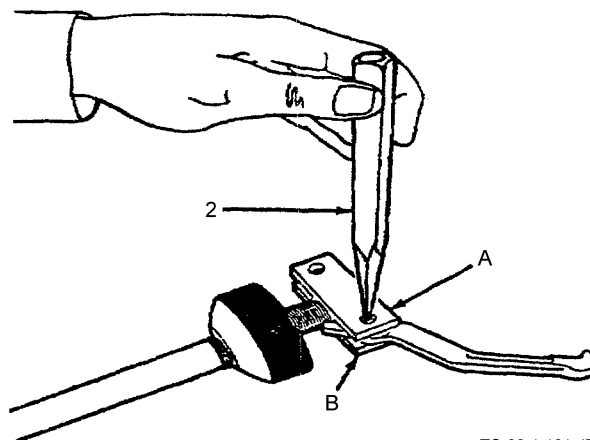
NOTE

The following procedure is for using an alignment punch. This tool, unlike others, has only one basic use.



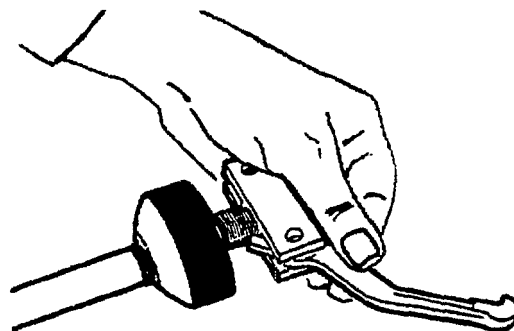
TO-32-1-101-470

- a. Select a punch having a smaller diameter than the smallest hole (1) to be aligned.



TO-32-1-101-471

- b. Insert tip of punch (2) through hole in part A using only hand pressure, and move punch and part A until you can get the tip of the punch into part B.



TO-32-1-101-472

- c. Hold the assembled parts while you remove the punch.

- d. Proper use of an alignment punch prevents damaging threaded parts.
- e. Place screw in aligned holes and tighten.

27.6 CARE OF PUNCHES.

- a. Clean punches with a clean rag after each use.
- b. Apply a light coat of oil before storing.
- c. Store punches in racks, tool rolls, or in your tool box so that the edges will not be damaged.
- d. Replace punches that have mushroomed ends if they cannot be reconditioned, (See NOTE, page 1-1).
- e. Inspect punch for bending or warping. Replace punch if bending or warping is present.

27.7 SCREW PUNCH USAGE.

Screw punches may be used to loosen stuck or corroded screws. To start, hold the screw punch at about a 10 to 15 degree angle in the direction of rotation. Seat the tool on the flat portion of the screwhead, next to the slot. Tap the tool a couple of times to seat it in the screw. Next, angle the tool back about 30-45 degrees. Use a series of light taps with the hammer since heavy blows can cause you to skip off the screw head and damage the parent part. Use this technique to simply break the torque on the screw. Turn the screw about a quarter of a turn with the tool, then use a screw driver or a speed handle to remove the screw the rest of the way.

NOTE

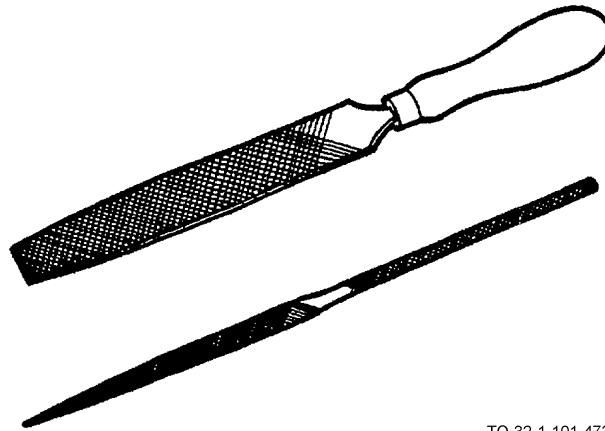
This tool is strictly for use by technicians trained and documented on its proper and safe usage. Always assure proper support of the panel or parent part prior to using a screw punch to loosen stuck or corroded screws. Improper support can cause significant chisel slippage, panel damage, and/or substrate damage.

CHAPTER 28

FILES

28.1 HOW TO CHOOSE AND USE FILES.

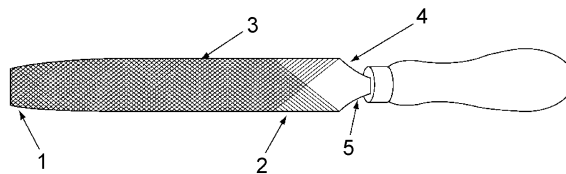
Types and Uses, Paragraph 28.2, provides you with a list of some of the types of files. These pages should help you select the right file to do the job. Using a File, Paragraph 28.4, tells you how to use the file to perform the desired function. Care of Files, Paragraph 28.5, tells you how to care for the items.



TO-32-1-101-473

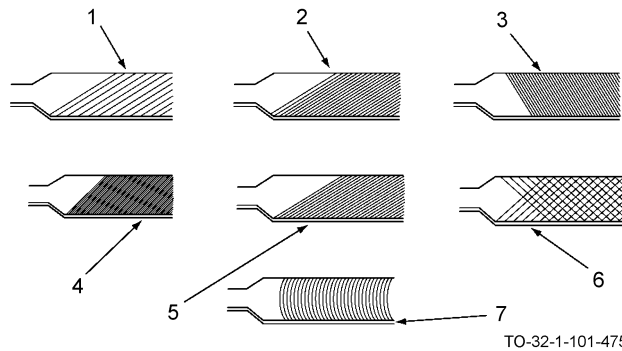
28.2 FILES TYPES AND USES.

Files are used for cutting, smoothing off, or removing small amounts of metal, wood, plastic, or other material. Files are made in various lengths, shapes, and cuts. Every file has five parts: the point (1), edge (2), face or cutting teeth (3), heel or shoulder (4) and tang (5). The tang is used to attach the handle on American pattern files. The tang is shaped into a handle and is usually knurled on Swiss pattern files.



TO-32-1-101-474

28.2.1 American Pattern File.



TO-32-1-101-475

American pattern files are generally used for fast removal of material and where a precision finish is not required. Grades of coarseness are bastard-cut for heavier work (1), second-cut (2) and smooth-cut (3) for finishing work, and dead smooth-cut (4) for an extra fine finish. American pattern files come with single-cut (5), double-cut (6), or curved-cut teeth (7). Single-cut files are used with light pressure for smooth surfaces or to put a keen edge on cutting surfaces. Double-cut files are used under heavier pressure and where a rougher finish is permissible. Curved-tooth files are cut in a contour across the face and are used to smooth surfaces on aluminum, bronze, lead, babbitt, zinc, and plastics.

28.2.2 Mill File.



TO-32-1-101-476

Mill files are tapered to the point in width and thickness for about one-third of their lengths. They are single-cut with one uncut edge. They are used to sharpen mill or circular saws, and for draw-filing or finishing metals.

28.2.3 Pillar File.



TO-32-1-101-477

Pillar files are similar to hand files in general shape, but are much narrower. They are double-cut with one uncut edge. Pillar files are used to file in slots and keyways.

28.2.4 Round File.



TO-32-1-101-478

Round files taper slightly toward the point. Bastard-cut files 6 inches and longer are double-cut. The second-cut files, 12 inches and longer, are double-cut. All others are single-cut. Round files are used for filing circular openings or concave surfaces.

28.2.5 Square File.



TO-32-1-101-479

Square files taper slightly toward the point on all four sides and are double-cut. They are used for filing rectangular slots and keyways.

28.2.6 Taper File.



Taper files, or triangular files, are tapered toward the point on all three sides. They are used for filing saws having 60 degree angle teeth. Taper files come in regular, slim, extra slim, and double extra slim and usually are single-cut.

28.2.7 Three-Square File.



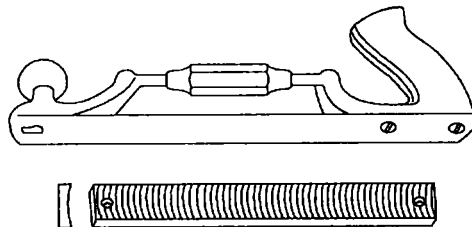
Three-square files are tapered toward the point on all three sides and are double-cut. They are used for filing internal angles, and for cleaning out square corners.

28.2.8 Warding File.

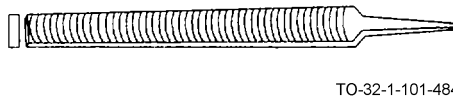


Warding files are tapered to a point for narrow space filing. They have double-cut faces and singlecut edges. Warding files are used for lock repair or for filing ward notches in keys.

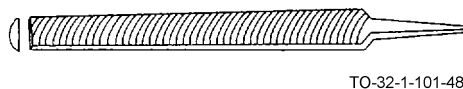
28.2.9 Curved-Tooth File. Curved-tooth files, also known as mill-toothed files, are generally used on aluminum and sheet steel and on flat or curved surfaces. They are also used for smooth, rapid work on bronze, lead, babbitt, zinc, and plastic.



Flat, flexible, curved-tooth files do not have tangs and are made for easy mounting on a file holder. The file holder is adjustable for concave or convex surfaces. Flat, flexible, curved-tooth files come in fine-cut and standard-cut teeth.



Flat, rigid, curved-tooth files are self-cleaning and used-for filing flat surfaces on cast iron, lead, babbitt, aluminum, zinc, and plastic. They come in smooth-cut and standard-cut teeth.



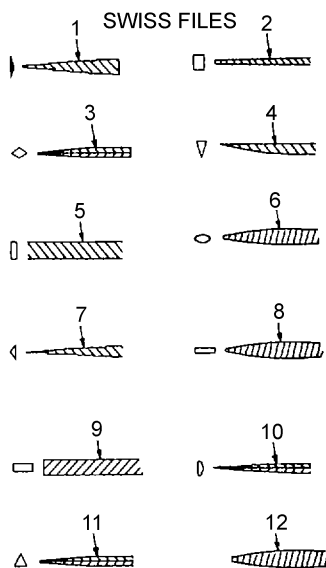
Half-round, rigid, curved-tooth files are flat on one side and convex on the other. They are used for filing concave surfaces and bearings. They come with standard-cut teeth.

28.2.10 Swiss Pattern File.



TO-32-1-101-486

Swiss pattern files are made to more exact measurements than American pattern files. They are primarily finishing tools used on all sorts of delicate and intricate parts. Swiss pattern files come in a variety of styles, shapes, sizes, and double and single cuts to insure precision smoothness.



TO-32-1-101-487

These files are usually supplied in sets. The most common set consists of twelve assorted files in a set which are marking (half-round) (1), square (2), slitting (3), knife (4), joint (round edge) (5), crossing (oval) (6), barrette (7), flat (8), equaling (9), half-round (10), three-square (triangular) (11), and round (12). Swiss pattern files are made in seven cuts. Nos. 00, 0, 1, 2, 3, 4, and 6. They are most often used for fitting parts of delicate mechanisms, and for tool and die work.

28.3 FILE SAFETY.

1. If a file is designed to be used with a handle, do not attempt to use it without the handle. Holding the sharp tang in your hand while filing can cause serious injury.
2. Do not use a file for prying. The tang end is soft and it bends easily. The body of the file is hard and very brittle. A light bending force will cause it to snap.
3. Do not hammer on a file. This is very dangerous because the file may shatter.

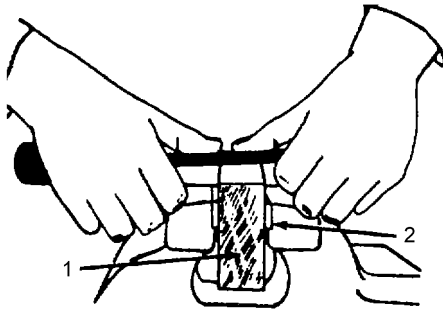
28.4 USING A FILE.

28.4.1 Selecting Proper File.

1. For heavy, rough cutting, use a large, coarse, double-cut file.
2. For finishing cuts, use a second of smooth-cut, single-cut file.
3. When working on cast iron, start with a bastard-cut file and finish with a second-cut file.
4. When filing soft metal, start with a second-cut file and finish with a smooth-cut file.

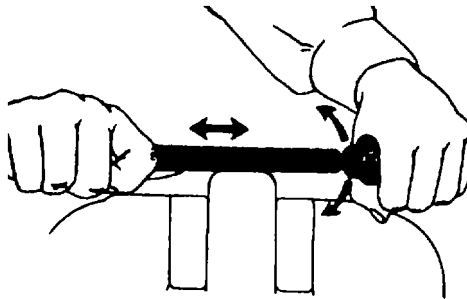
5. When filing hard Steel, start with a smooth-cut file and finish with a deed-smooth file.
6. When filing brass or bronze, start with a bastard-cut file and finish with a second or smooth-cut file.
7. When filing aluminum, lead, or babbitt metal, use a standard-cut curved-tooth file.
8. For small work, use a short file. For medium-sized work, use an 8 inch file. For large work, use a file that is most convenient.

28.4.2 Method of Filing.



TO-32-1-101-488

- a. Clamp the work (1) securely in a vise so that the area to be filed is horizontal and is parallel to and projecting slightly above the vise jaws (2).
- b. Hold the file handle in one hand, thumb on top, and hold the end of the file with the fingers of the other hand.



TO-32-1-101-489

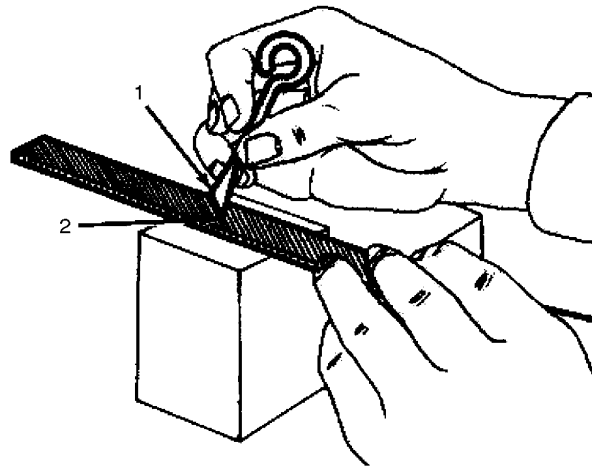
- c. When filing hard metals, apply pressure on the forward stroke only. Unless the file is lifted from the work on the return stroke, it will become dull much sooner than it should.
- d. When filing soft metals, using pressure on the return stroke helps keep the cuts in the file clean.
- e. Use a rocking motion when filing round surfaces.
- f. When using a new file, applying too much pressure will cause the teeth to break off. Do not force the file. File slowly, lightly, and steadily. Too much speed and too much pressure causes the file to rock, rounding off the corners of the work.

28.4.3 Draw Filing.

1. Draw filing is used to produce a very smooth and true surface. Hold the file at right angles to the direction of the strokes, keeping your hands close together to prevent bending and breaking the file.
2. Pressure should not be great and can remain the same on the back stroke as on the draw stroke. The speed of filing is not important.
3. For extra smooth surfaces, wrap a piece of emery cloth around the file and stroke in the same manner.

28.5 CARE OF FILES.

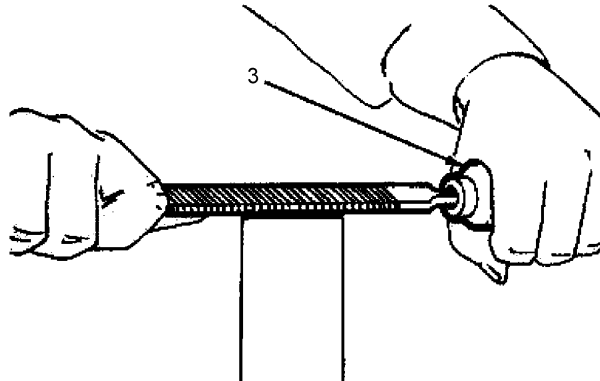
- A new file should be broken in by using it first on brass, bronze, or smooth iron.
- Never use a new file to remove the fins or scales on cast iron.
- Do not use a new file on a narrow surface such as sheet metal, because the narrow edge of the metal is likely to break off the sharp points on the file teeth.
- After using a new file, the teeth will clog up with metal filings.
- Using a clogged file will scratch the work. This condition is called pinning.
- One way to help prevent pinning is by rubbing chalk between the teeth before filing.
- The best method to keep the file clean is to use a file scorer and file cleaner brush.



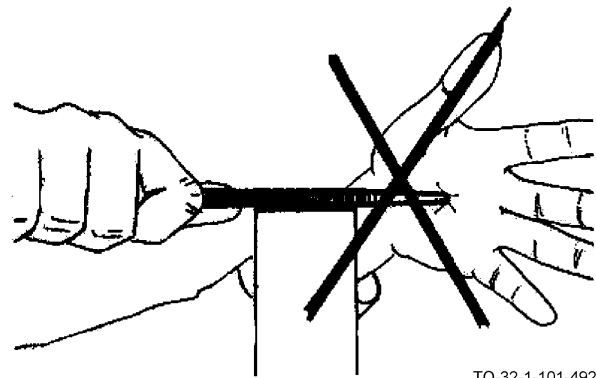
TO-32-1-101-490

- When cleaning a file with a file scorer (1), use a pulling motion, holding the file scorer blade parallel to the rows of teeth (2).
- Finish cleaning by brushing the file parallel to the rows of teeth, with the file cleaner brush.
- Do not throw files into a drawer or toolbox where they can rub against each other or against other tools. Store them in separate holders such as clips, straps, or in holes cut in a block of wood.

- Clean files often.



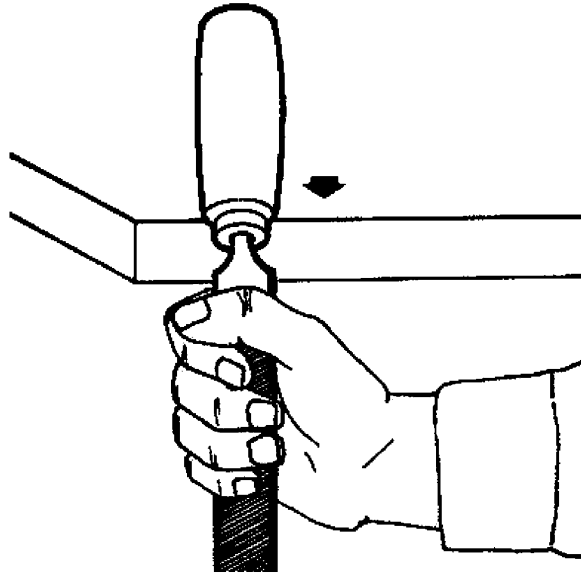
TO-32-1-101-491



TO-32-1-101-492

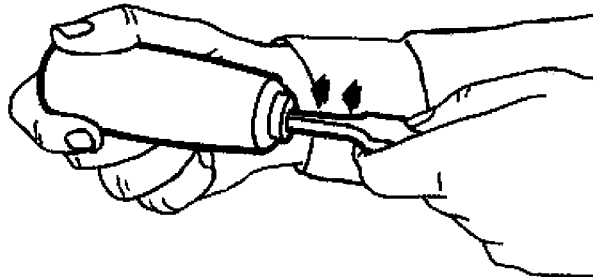
- Never use a file without a securely attached handle (3), unless it is of the Swiss pattern type.
- Do not use files for any other use except filing.
- Do not oil files. This will cause the file to slide across the work, preventing fast cutting.
- Never strike the file against a vise or other object to remove filings. Use the file cleaner brush.
- Never store files with lubricants or rust-preventive compounds on them. Wrap each file in a waterproofed barrier wrapping paper and place the files in racks or boxes so that the faces or edges of the files will not touch each other.

28.6 REPLACING THE HANDLE.



TO-32-1-101-493

- a. To remove a handle, hold the file with one hand. Pull the file from the handle while striking the ferrule end of the handle against the edge of a bench.

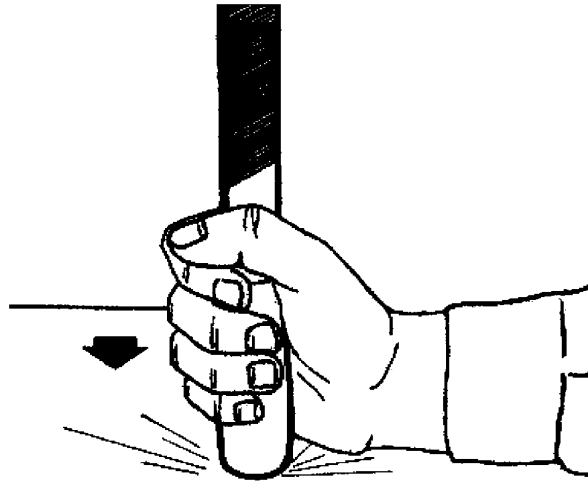


TO-32-1-101-494

CAUTION

Never hammer a file into its handle. Failure to comply could result in damage to, or destruction of, equipment or loss of mission effectiveness.

- b. To install a new handle, insert tang end of file into handle socket exerting pressure with your hands.



TO-32-1-101-495

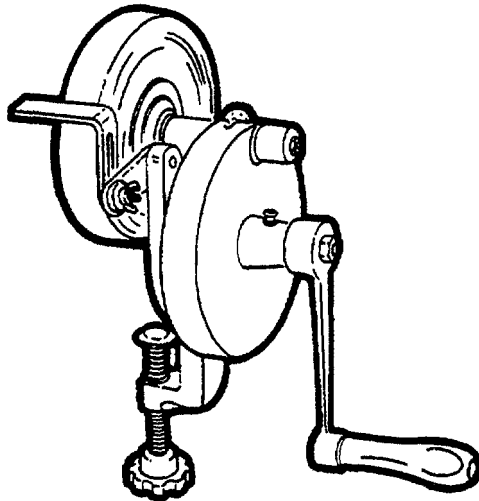
- c. Tap the handle on the bench top until the file is seated.

CHAPTER 29

GRINDERS AND SHARPENING STONES

29.1 HOW TO CHOOSE AND USE GRINDERS AND SHARPENING STONES.

Types and Uses, Paragraph 29.2, provides you with a list of some of the types of grinders and sharpening stones. These pages should help you select the right sharpening instrument to do the job. Using, Paragraph 29.3, tells you how to use the sharpening instrument to perform the desired function. Care, Paragraph 29.5, tells you how to care for the items.

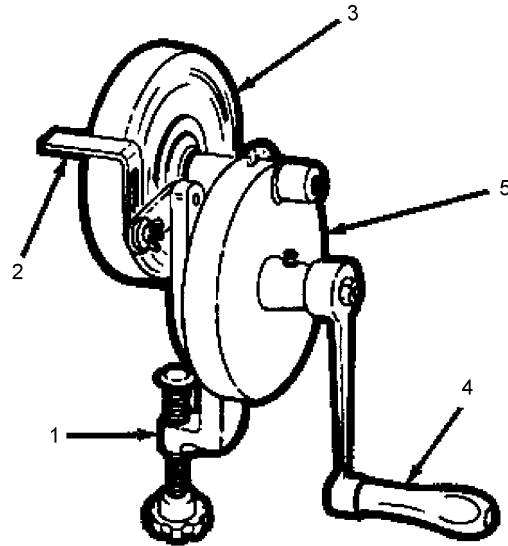


TO-32-1-101-496

29.2 GRINDERS AND SHARPENING STONES TYPES AND USES.

Grinders are mechanical devices which allow you to reshape, form, and sharpen metal cutting tools or other tools. A grinder consists of an abrasive wheel mounted on a rotatable shaft. The abrasive wheels are available in varying degrees of coarseness, depending upon type of metal to be ground. Sharpening stones may be either natural or artificial. Natural stones are of a finer grain than the artificial stones.

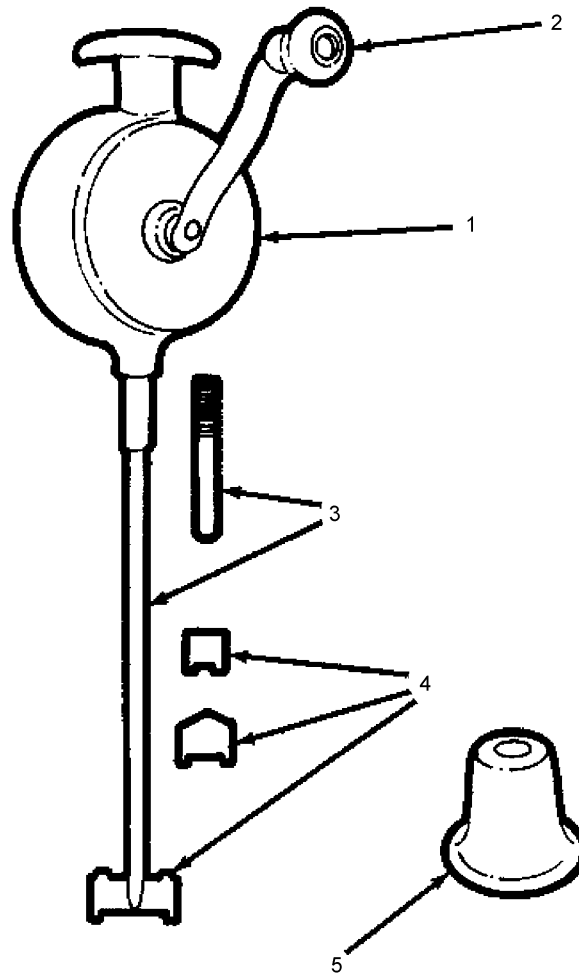
29.2.1 Bench Grinder.



TO-32-1-101-497

Bench grinders are used for reshaping and sharpening chisels, drills, hatchets, and other similar small hand tools. The bench grinder consists of a clamp (1), a rest (2), an abrasive wheel (3) a handcrank (4), and an encased gearing assembly (5). The clamp is used for fastening the grinder to a working surface. The rest supports tools which are being ground. It is adjustable and may be moved from side to side. The abrasive wheel may be changed depending upon the type of metal being ground.

29.2.2 Valve Grinder.

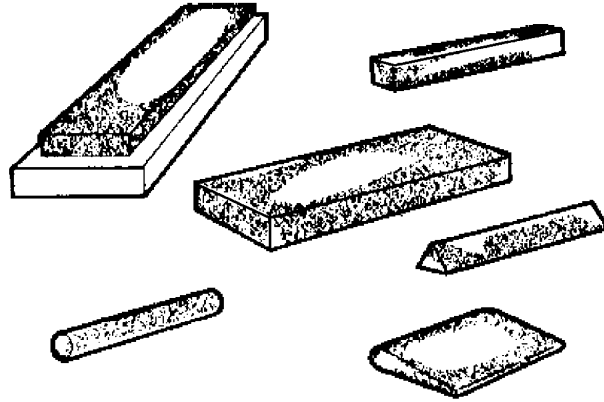


TO-32-1-101-498

The valve grinder is a hand-operated special grinder. It is used for grinding the valve seating surfaces on combustion engines. It grinds with cutting blades on a rotating shaft instead of an abrasive wheel. It consists of an encased gear housing (1), a handcrank (2), interchangeable shafts (3), cutting blades (4), and a suction cup (5). The suction cup is used in place of a blade to grind non-slotted valves to fit seating surfaces.

AIR FORCE AIR FORCE TO 32-1-101
ARMY ARMY TM 9-243
MARINE CORPS MARINE CORP TM 10209-10/1
NAVY (NAVAIR) NAVY M6290-AJ-MAN-1010

29.2.3 Sharpening Stones. Sharpening stones usually have one coarse face and one fine face. This could combine the coarse artificial stone with the fine natural stone. The coarse edge is used to remove nicks and to reshape the tool being sharpened. The fine edge is used to complete the sharpening process and put a keen edge on the tool. Sharpening stones are available in various shapes and sizes, as shown.

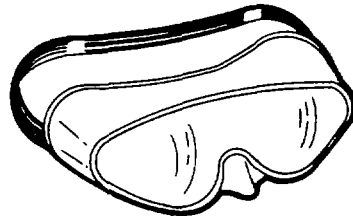


TO-32-1-101-499

29.3 USING A BENCH GRINDER.

WARNING

- Wear eye protection and watch the finger. Failure to comply could result in injury to, or death of, personnel or long term health hazards.

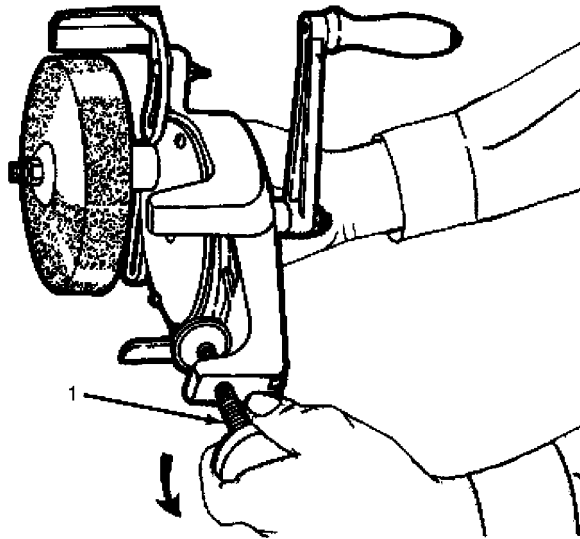


TO-32-1-101-200

- Hold tools being shaped firmly so they will not cause injury. Failure to comply could result in injury to, or death of, personnel or long term health hazards.

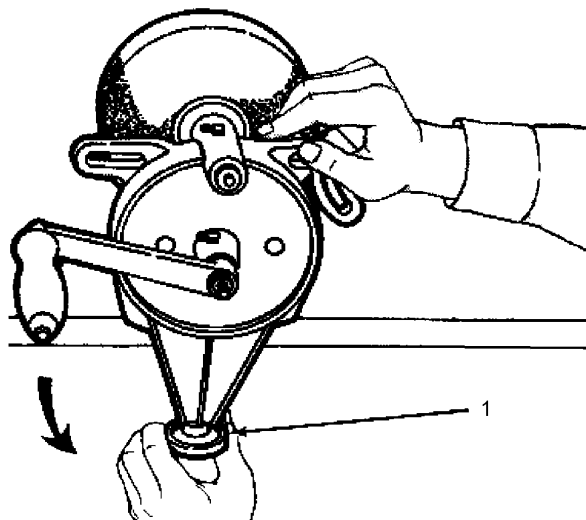
CAUTION

Never use a cracked wheel. Before using a wheel, tap it lightly with a mallet. A ringing sound indicates that the wheel is satisfactory; a dull sound indicates that the wheel may be cracked.



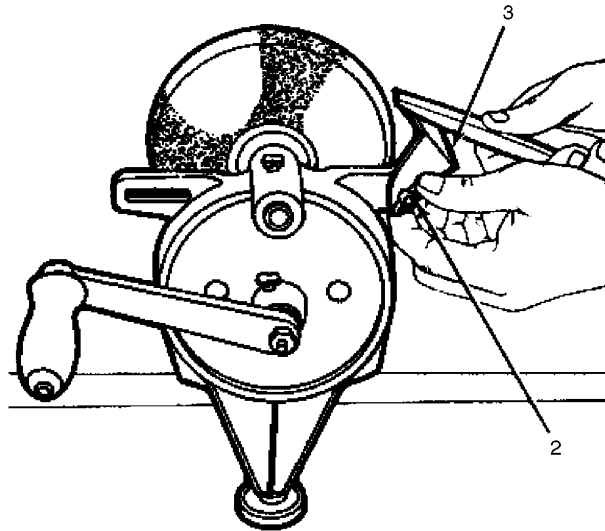
TO-32-1-101-500

- a. Before using, inspect the grinder and abrasive wheel, checking for cracks or breaks on exposed surfaces.
- b. Unscrew the mounting clamp (1) to allow the grinder to be positioned on the bench.



TO-32-1-101-501

- c. Position grinder where it will be used and tighten the mounting clamp (1) to hold securely on the bench.

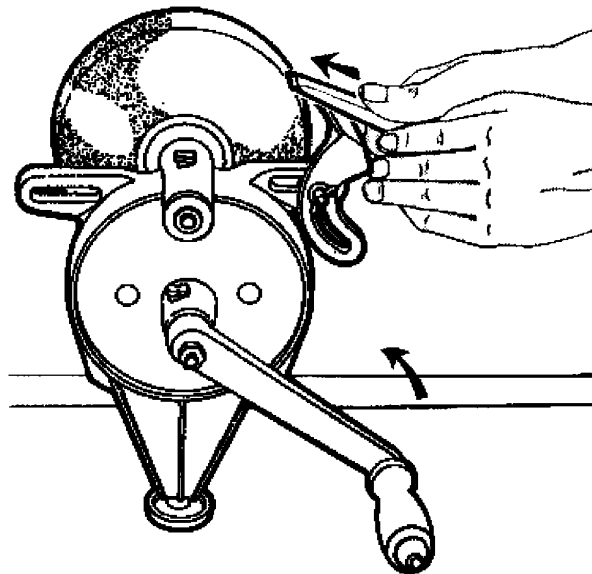


TO-32-1-101-502

- d. Loosen the wing nut (2) on the rest (3). Adjust the rest (3). Tighten the wing nut (2).
e. Support the tool to be ground on the rest (3).

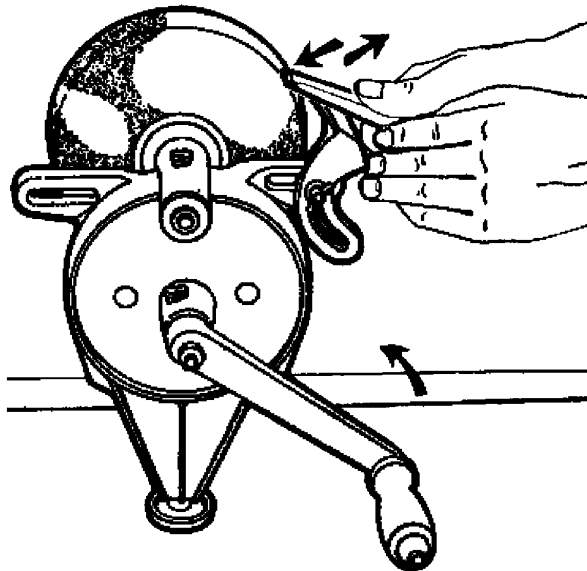
NOTE

Since user must use both hands to hold tool to the wheel, another person is required to turn the handcrank in a counterclockwise direction.



TO-32-1-101-503

f. Rotate the handcrank and move the tool forward until it makes contact with the wheel.



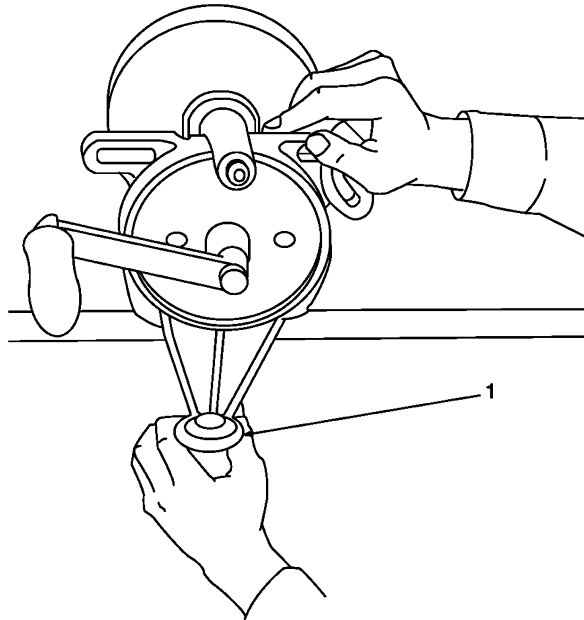
TO-32-1-101-504

g. Move the tool back and forth across the abrasive wheel face to be sure of an evenly ground surface.



TO-32-1-101-505

h. Stop grinding occasionally to check for the desired edge.



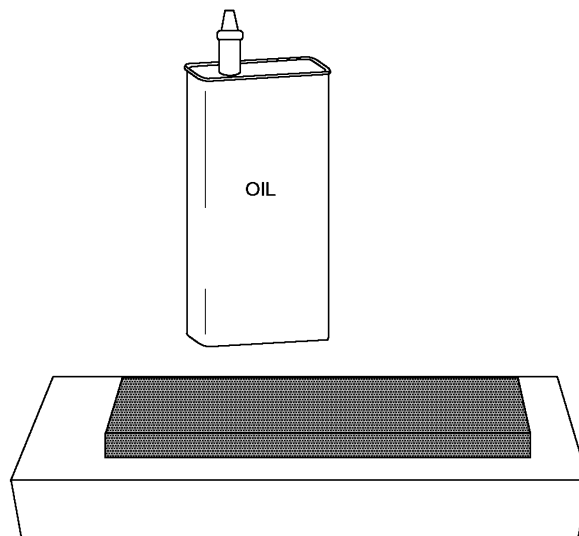
TO-32-1-101-506

i. When the desired edge is obtained, you are finished. Remove grinder from bench by loosening the clamp (1). Store grinder in its designated storage area.

29.4 USING A SHARPENING STONE.

NOTE

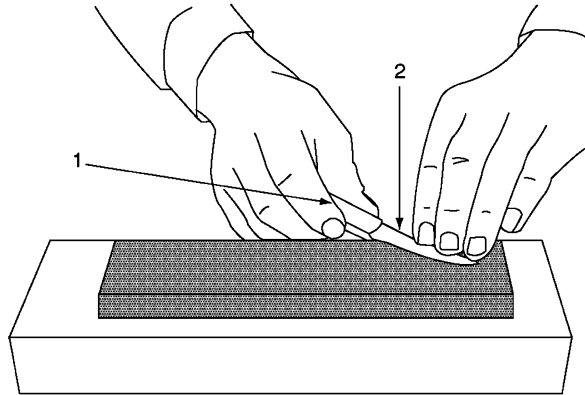
Unless stone is already oil-impregnated, apply a light coat of oil before and during use.



TO-32-1-101-507

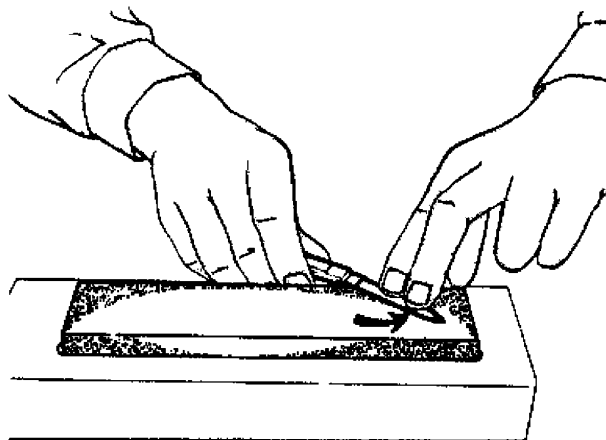
WARNING

Keep your fingers clear of the hinge area of a pocket knife. Failure to comply could result in injury to, or death of, personnel or long term health hazards.



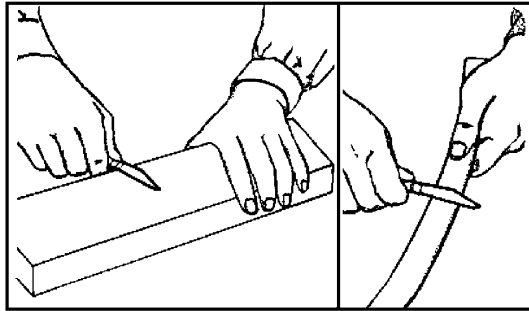
TO-32-1-101-508

- a. Hold the handle (1) of the blade to be sharpened in one hand and extend the blade (2) across the stone.
- b. Press down on the blade with the fingers of the other hand.
- c. With a circular motion, stroke the blade with the sharp edge trailing.



TO-32-1-101-423

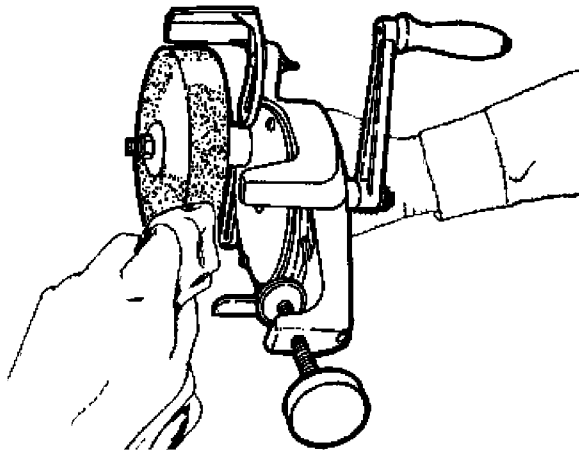
- d. After several strokes, reverse the blade and stroke the other side in a similar manner. Use light, even pressure.



TO-32-1-101-834

- e. Repeat stroking action until the desired edge is obtained.
- f. The wire edge left on blade by using a stone may be removed by stroking both sides on a soft wood block, canvas, or leather.

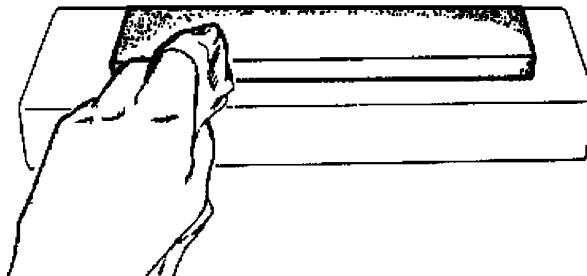
29.5 CARE OF BENCH GRINDERS.



TO-32-1-101-510

- a. Wipe oil and grease from all outside surfaces before and after each use.
- b. Tighten all housing screws before and after each use.
- c. Before using, check to be sure that the abrasive wheel is not cracked or broken.

29.6 CARE OF SHARPENING STONES.



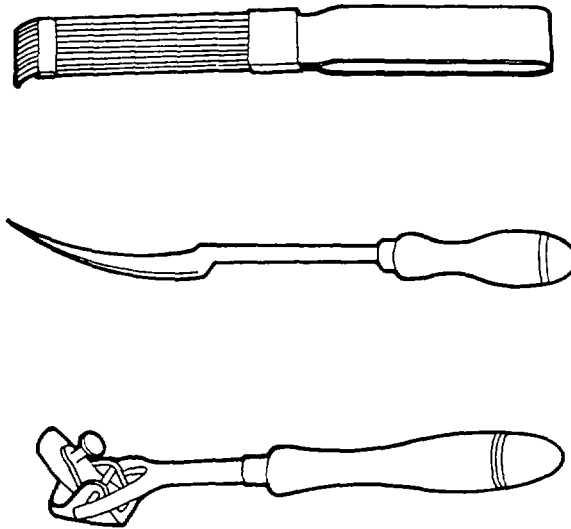
TO-32-1-101-511

- a. Prevent glazing of stone by applying light oil while using.
- b. Wipe excess oil and grit from stone with a clean rag after each use.
- c. Clean stone with dry cleaning solvent when it becomes glazed or gummed up.
- d. Store in a clean dry place and/or wrap in clean cloth.

CHAPTER 30 SCRAPERS

30.1 HOW TO CHOOSE AND USE SCRAPERS.

Types and Uses, Paragraph 30.2, provides you with a list of time of the types of scrapers. These pages should help you select the right scraper to do the job. Using, Paragraph 30.4, tells you how to use the scraper to perform the desired function. Care of Scrappers, Paragraph 30.5, tells you how to care for the items.

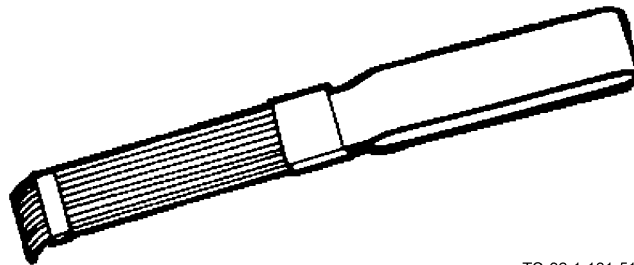


TO-32-1-101-512

30.2 SCRAPERS TYPES AND USES.

Scrapers are made in different shapes for various types of work. Some scrapers are used for trueing metal, wood, and plastic surfaces which have been machined or filed. Other scrapers are made to remove paint, stencil markings, and other coatings from various surfaces.

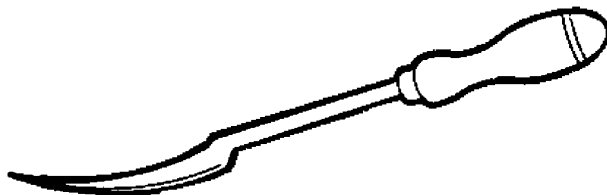
30.2.1 Carbon Scraper.



TO-32-1-101-513

A carbon scraper is used to clean carbon from cylinder heads, pistons, and other metal surfaces. It is flexible and has an overall length of approximately 9 inches. The carbon scraper consists of ten round spring steel blades, and their flexibility is controlled by a sliding ferrule.

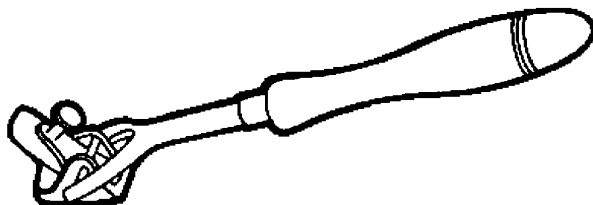
30.2.2 Bearing Scraper.



TO-32-1-101-514

Bearing scrapers are used to scrape babbitt metal bearings. Bearing scrapers come with 1-1/2, 2, and 4 inch cutting edges.

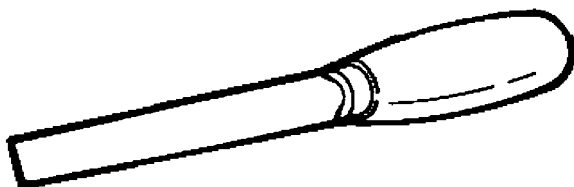
30.2.3 Box Scraper.



TO-32-1-101-515

Box scrapers are most generally used to scrape stencil markings from wood surfaces. They are also used as wood floor scrapers. The box scraper has a 2 inch blade and a 9 inch handle hinged at the blade. The bottom of the scraper and the edge of the cutter are convex so that corners do not scratch up the work. The blade can be adjusted by loosening the thumbscrew and extending or withdrawing the blade in its holder.

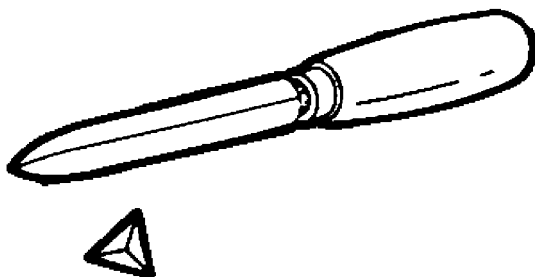
30.2.4 Flat Blade Scraper.



TO-32-1-101-516

Flat blade scrapers are used for removing high spots from flat surfaces only.

30.2.5 Triangular Blade Scraper.



TO-32-1-101-517

Triangular blade scrapers are used for removing high spots from flat or curved surfaces. They are available with either a 4 or 6 inch blade.

30.3 SCRAPER SAFETY.

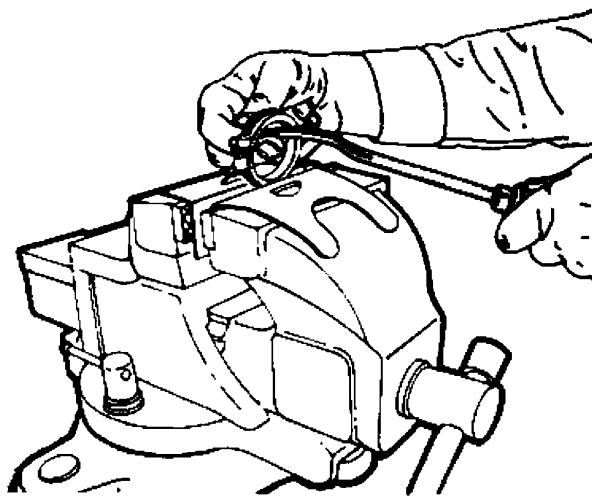
1. Keep work, scraper, and hands free from grease and oil when using a scraper.

2. Keep scrapers sharp at all times, (except the carbon scrapers), since a dull scraper is more apt to slip and cause injury.
3. Use the scrapers only for their intended purposes.

NOTE

Carbon scraper blades are fairly dull to prevent scoring of a piston and/or cylinder wall.

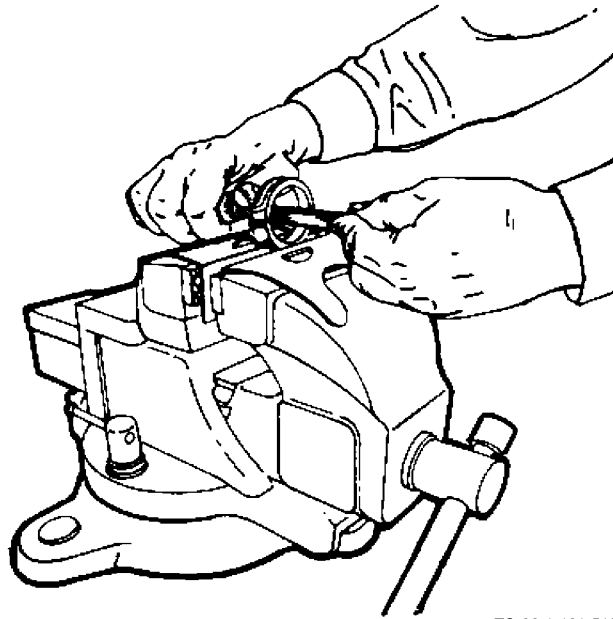
30.4 USING A BEARING SCRAPER.



TO-32-1-101-518

- a. Place the bearing to be scraped on a bench or other suitable working surface.
- b. Use both hands on the bearing scraper. One hand should be at the end of the handle while the other hand steadies the tool.

- c. Use the hand at the end of the handle to twist the tool. Use very light pressure and remove a small amount of metal with the twisting stroke. If too much pressure is applied, the scraper will chatter and leave a rough, uneven surface.



TO-32-1-101-519

- d. Start at one top side of bearing cap. Work down, and then up to the top of the other side. Do not scrape lengthwise.
- e. Repeat procedure until the required amount of material has been removed to fit the bearing onto the shaft.

30.5 CARE OF SCRAPERS.

1. Keep scrapers sharp (except carbon scrapers) by sharpening or grinding.

NOTE

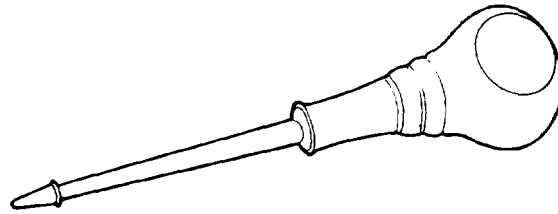
Carbon scraper blades are fairly dull to prevent scoring of a piston and/or cylinder wall.

2. When a scraper is not in use, coat the blade with a film of light oil.
3. Hang or store scrapers separately to protect the cutting edge. Do not throw scrapers in with other tools. This will damage the cutting edges.
4. For long-term storage, coat all metal parts with rust-preventive compound and store in a dry place.

CHAPTER 31 AWLS

31.1 HOW TO CHOOSE AND USE AWLS.

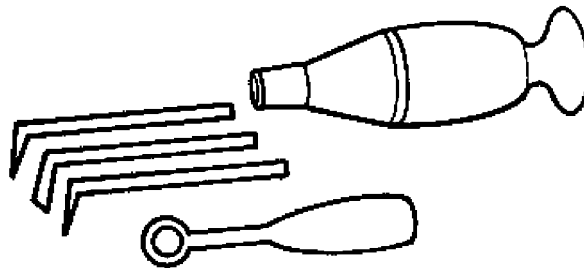
Types and Uses, Paragraph 31.2, provides you with a list of some of the types of awls. These pages should help you select the right awl to do the job. Using a Scratch Awl, Paragraph 31.3, tells you how to use the awl to perform the desired function. Care of Awls, Paragraph 31.4, tells you how to care for the items.



TO-32-1-101-520

31.2 AWLS TYPES AND USES.

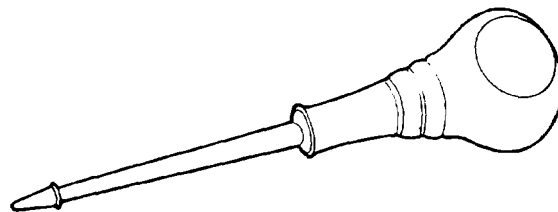
31.2.1 Saddler's Awl.



TO-32-1-101-521

The saddler's sewing and stitching awl has a round wooden handle and interchangeable blades. The awl is used to punch holes in leather and as an aid during sewing. Cover points when not in use.

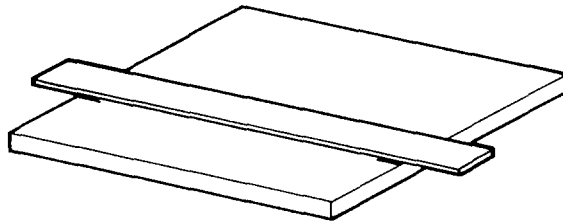
31.2.2 Scratch Awl.



TO-32-1-101-520

The scratch awl has a fixed tapered blade and a wooden handle. It is used to scribe marks or as a center punch on soft wood and plastics. Cover points when not in use.

31.3 USING A SCRATCH AWL.

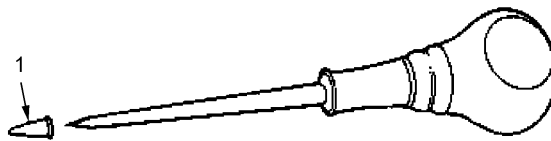


TO-32-1-101-522

- a. Place material to be scribed on a flat surface. Place a ruler or straight edge on guide marks. You will already have measured and marked where you want to scribe.

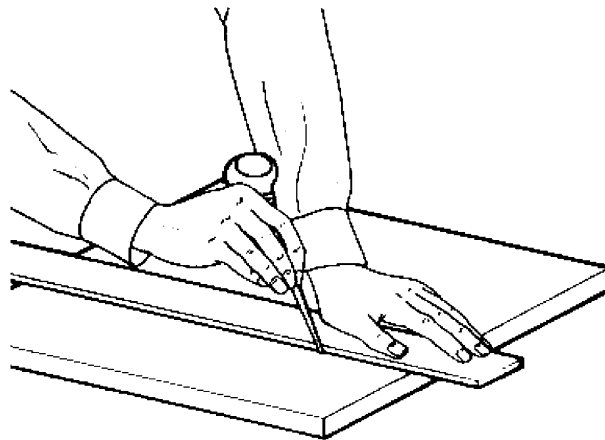
WARNING

Awls are very sharp and must be used with extreme caution. Failure to comply could result in injury to, or death of, personnel or long term health hazards.



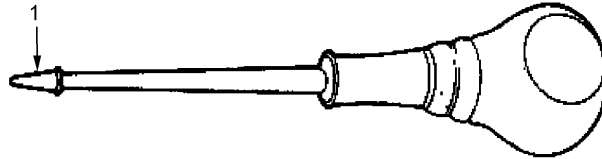
TO-32-1-101-523

- b. Remove the protective cover (1).



TO-32-1-101-524

- c. Hold straight edge firmly. Hold the awl like a pencil and scribe a line along the straight edge.



TO-32-1-101-525

- d. Replace protective cover (1).

31.4 CARE OF AWLS.

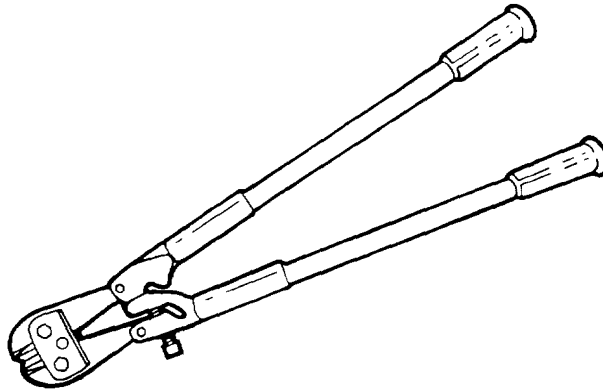
- a. Keep points covered when not in use and stow awls in racks or in tool boxes. (Optional if tool is secured with foam inlay).
- b. Lightly oil metal parts before storing.

CHAPTER 32

BOLT AND CABLE CUTTERS

32.1 HOW TO CHOOSE AND USE BOLT AND CABLE CUTTERS.

Types and Uses, Paragraph 32.2, provides you with a list of some of the types of cutters. These pages should help, you select the right cutter to do the job. Using Center Cut Cutters, Paragraph 32.4, tells you how to use the cutter to perform the desired function. Care of Bolt and Cable Cutters, Paragraph 32.5, tells you how to care for the item.



TO-32-1-101-526

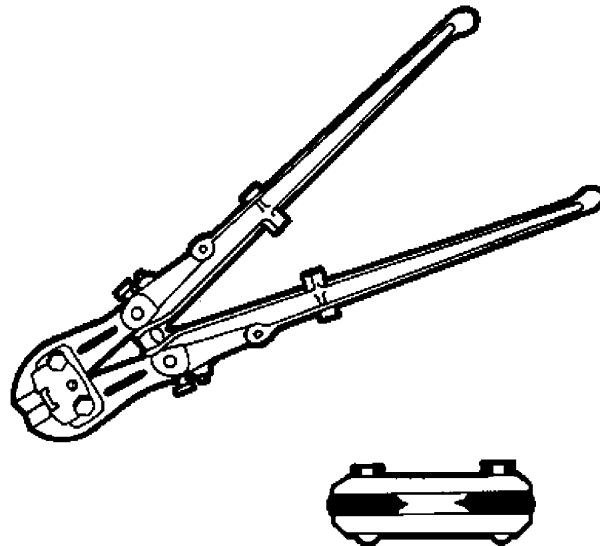
32.2 BOLT AND CABLE CUTTERS TYPE AND USES.

WARNING

Bolt cutters are considered security items. Always secure these tools when not in use. Failure to comply could result in injury to, or death of, personnel or long term health hazards.

Bolt and cable cutters come with a variety of cutting edges which are designed for specific applications. They are shaped like giant shears with short blades and long handles. The handles are hinged at one end. The cutters are at the end of extensions, which are jointed in such a way that the inside joint is forced outwards when the handles are closed. This forces the cutting edges together with great force. Bolt cutters are made in lengths from 18 to 36 inches. The larger ones will cut mild steel bolts and rods up to 1/2 inch diameter.

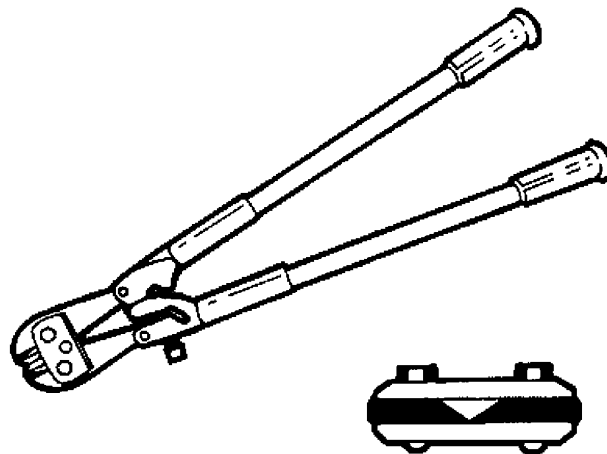
32.2.1 Center Cut Cutter.



TO-32-1-101-527

The center cut cutter is used for all general-purpose cutting. The cutting jaws are firmly fixed in line with the handles. The cutting edges are in the center of the jaw between equal levels. The longer the handle, the greater the cutting capacity. The cutting capacities range from 3/16 inch to 1/2 inch for medium steel, and from 5/16 inch to 11/16 inch for soft steel. The handles range from 14 inch to 42 inch lengths.

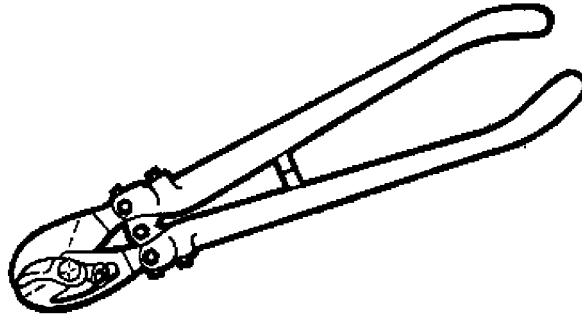
32.2.2 Clipper Cut Cutter.



TO-32-1-101-528

The cutting edges of the clipper cut cutter are in line with the handles and beveled almost entirely from one side. These cutters allow very close cutting of projecting ends. The cutting capacities range from 1/4 inch to 9/16 inch for medium steel, and from 5/16 inch to 11/16 inch for soft steel. The handles range from 14 inch to 42 inch lengths.

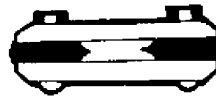
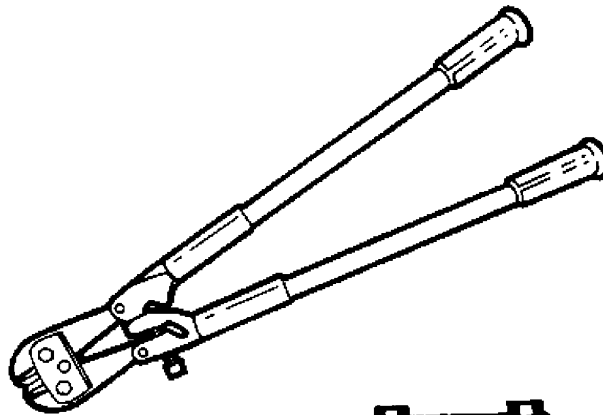
32.2.3 Shear Cut, Flat Bar, and Strip Cutter.



TO-32-1-101-529

Shear cut, flat bar, and strip cutters are used to cut flat-soft, medium-hard bar, and strip stock. The cutting edges of the jaws pass each other in the manner of scissors, making a complete shear cut. The cutting capacities range from $7/8 \times 5/32$ inch to $1-1/2 \times 9/32$ inch for soft and medium steel, and from $3/4 \times 1/8$ to $1-7/16 \times 1/4$ inch for hard steel. The handles range from 14 inch to 36 inch lengths.

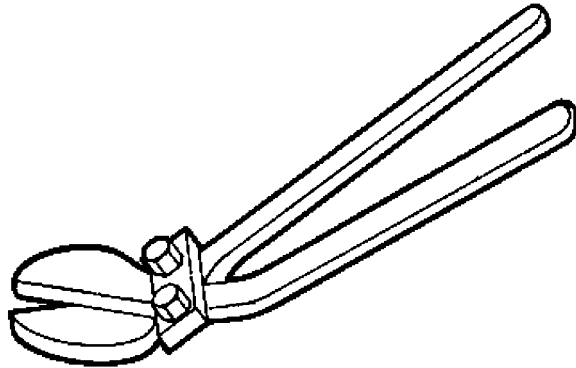
32.2.4 Side Nut Splitter Cutter.



TO-32-1-101-530

The side nut splitter cutter has the edge of the cutting jaws in line with the handles. When adjusted properly, the cutting edges will remain separated after the nut is split. This tool is used to split nuts off bolts, with the tool “head on” to the bolt, without damaging the bolt. Cutting capacity is rated for a $3/8$ inch bolt nut and is adjustable to $5/16$ inch and $1/4$ inch capacity. The handle is 24 inches long.

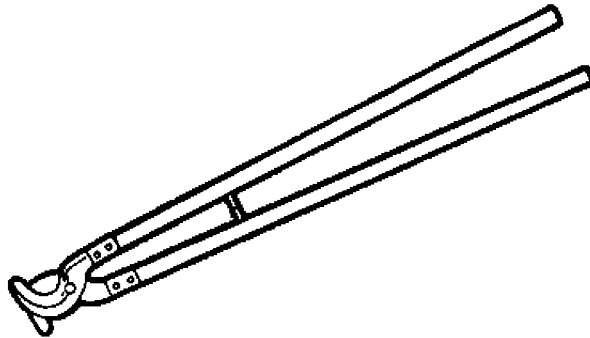
32.2.5 Angular Cut Cutter.



TO-32-1-101-531

Angular cut cutters have the cutting edges offset 30 degrees from the handles. This is so the user can keep the work in sight. It is used for close cutting of soft or medium-hard metals. Cutting capacities range from 1/4 inch to 1/2 inch for medium steel. The handles range from 14 inches to 36 inches in length.

32.2.6 Shear Cut Cable Cutter.



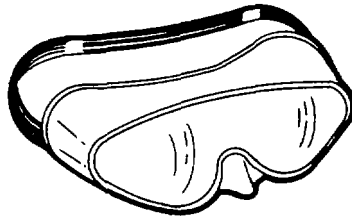
TO-32-1-101-532

Shear cut cable cutters have curved interposing cutters. They are used to cut lead and rubber-covered cable, and communication cable. Cutting capacities for lead and rubber-covered cable is 1-3/8 inches for the 25-1/2 inch handle, and 2-1/4 inches for the 37 inch handle. The communication cable cutting capacity for the 25-1/2 inch handle is 500,000 circular mils, and 750,000 circular mils for the 37 inch handle.

32.3 CUTTER SAFETY.

- a. Wear safety glasses when cutting.
- b. When using bolt cutters, make sure your fingers are clear of the jaws and hinges.
- c. Take care that the bolt head or piece of rod cut off does not fly and injure you or someone else. When the cutters are brought together rapidly, sometimes a bolt-head or piece of rod being cut off will fly some distance. The harder the material, the more it will fly.
- d. If it is necessary to cut electrical cable or wire which is already installed, be sure that the power is disconnected before using the cable cutter on it.
- e. Bolt cutters are fairly heavy, so make sure that they are stored in a safe place where they will not fall and injure someone.

32.4 USING CENTER CUT CUTTERS.



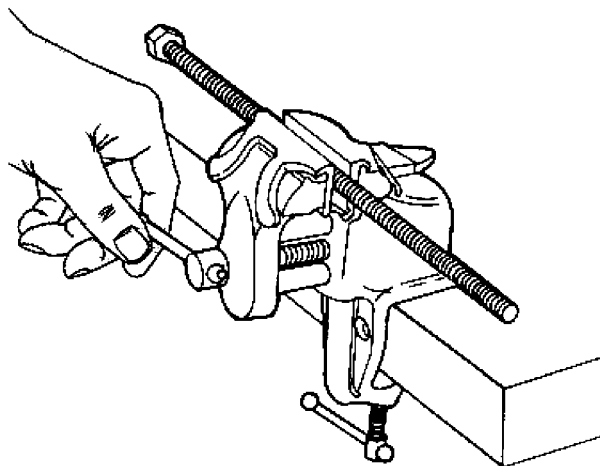
TO-32-1-101-200

WARNING

- When using bolt cutters, make sure your fingers are clear of the jaws and hinges. Failure to comply could result in injury to, or death of, personnel or long term health hazards.
- Wear eye protection. Failure to comply could result in injury to, or death of, personnel or long term health hazards.

CAUTION

Never attempt to cut spring wire or other tempered metal with bolt cutters. This will cause the jaws to be sprung or nicked. Failure to comply could result in damage to, or destruction of, equipment or loss of mission effectiveness.

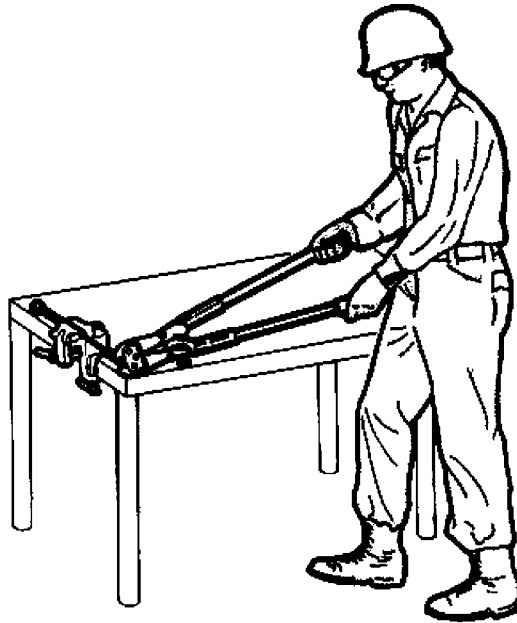


TO-32-1-101-533

- a. Clamp or steady the work if unattached before cutting, to prevent the cutters from slipping.
- b. Dry hands and handles of cutter before using to prevent slipping.
- c. Position the work as far back as possible into the jaws, to prevent damage to the jaws as well as to reduce the pressure required for cutting.



Use extreme care when using cutter to avoid catching any part of the body or clothes between handles as pressure is applied to them. Failure to comply could result in damage to, or destruction of, equipment or loss of mission effectiveness.



TO-32-1-101-534

- d. Stand at a right angle to the work being cut and apply steady pressure to the handles until the work has been cut off. Do not pry or twist with the handles while cutting.

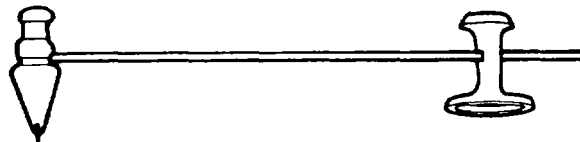
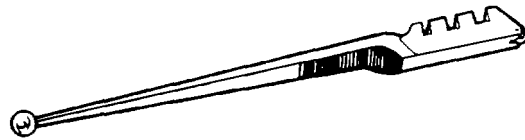
32.5 CARE OF BOLT AND CABLE CUTTERS.

- a. Replace worn cutters when necessary.
- b. Keep moving parts well oiled.
- c. Keep the adjusting screws just tight enough to ensure that the cutting edges meet along their entire length when the jaws are closed.
- d. Keep cutter jaws at right angles to the piece being cut. Do not twist or pry with the tool while cutting.
- e. Do not sharpen edges too sharp. Leave edge approximately 1/64 inch wide for longer jaw life.
- f. Before storing, wipe dirt and grease from the cutter and coat the metal parts lightly with oil to prevent rust.
- g. Store the cutter in a special compartment of the tool box or on a shelf where it cannot fall.

CHAPTER 33 GLASS CUTTERS

33.1 HOW TO CHOOSE AND USE GLASS CUTTERS.

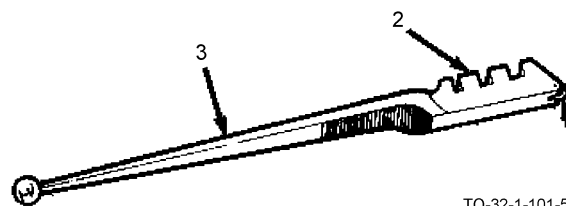
Types and Uses, Paragraph 33.2, provides you with a list of some of the types of cutters. These pages should help you select the right cutter to do the job. Using a Wheel-Type Glass Cutter, Paragraph 33.3, tells you how to use the cutter to perform the desired function. Care of Cutters, Paragraph 33.4, tells you how to care for the items.



TO-32-1-101-535

33.2 GLASS CUTTERS TYPES AND USES.

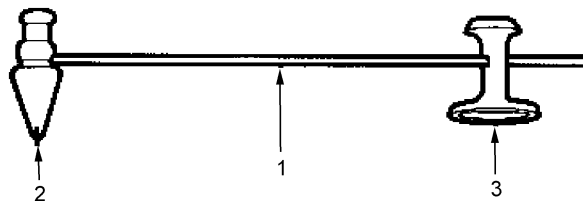
33.2.1 Wheel Type Glass Cutter.



TO-32-1-101-536

The wheel glass cutter consists of a steel cutting wheel (1), notching teeth (2), and a holder (3). It is used for making straight cuts on glass.

33.2.2 Circle Glass Cutter.



TO-32-1-101-537

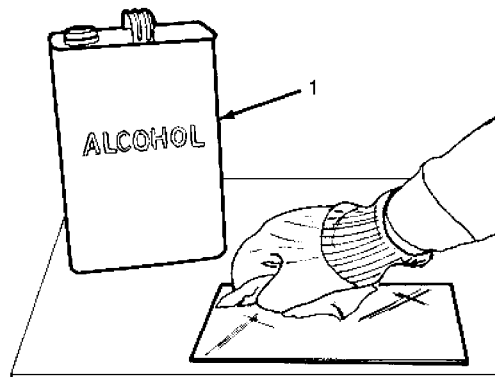
The circle glass cutter has an adjustable arm (1), a cutting head (2), and a suction cup clamp assembly (3). The cutting head scores a mark on the sheet of glass. The suction cup assembly provides an anchor. The circle glass cutter is used to

cut circles in glass. The adjustable arm can be moved in the suction cup assembly to allow circles from 2 to 24 inches in diameter.

33.3 USING A WHEEL-TYPE GLASS CUTTER.

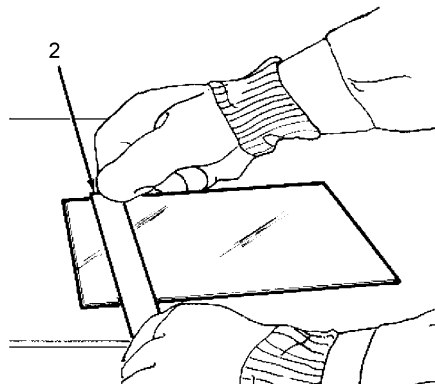
WARNING

Use care when handling glass. Wear gloves to protect your hands. Failure to comply could result in injury to, or death of, personnel or long term health hazards.



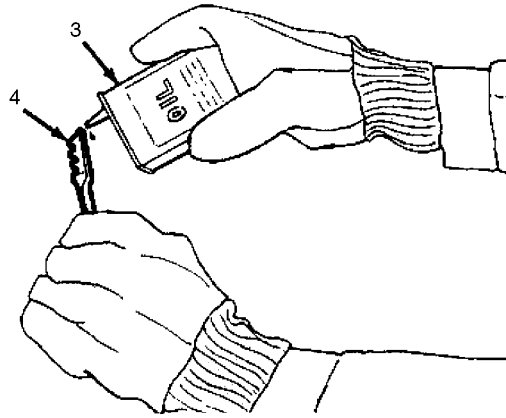
TO-32-1-101-538

- a. Place padding (newspapers, a piece of carpet, or blanket) on a flat, level surface.
- b. Make sure the glass is clean. Apply alcohol (1) along the line to be cut. This prevents the cutting wheel from becoming gummed up while in use.



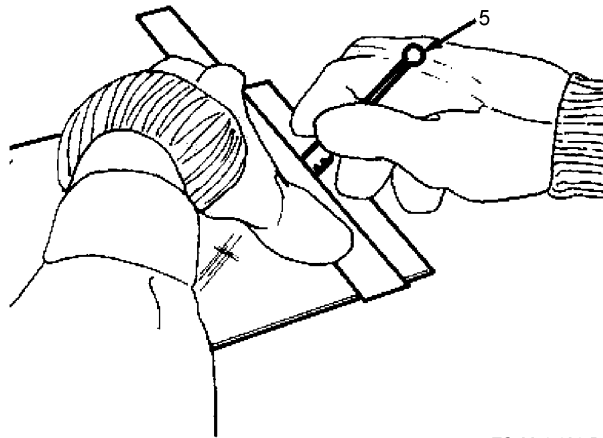
TO-32-1-101-539

- c. Place a straight edge (2) along line to be cut. A wooden yardstick should be used when available, since wood will not slip easily on glass. The cutter will cut 1/16 inch from your mark, so adjust your guide before cutting.



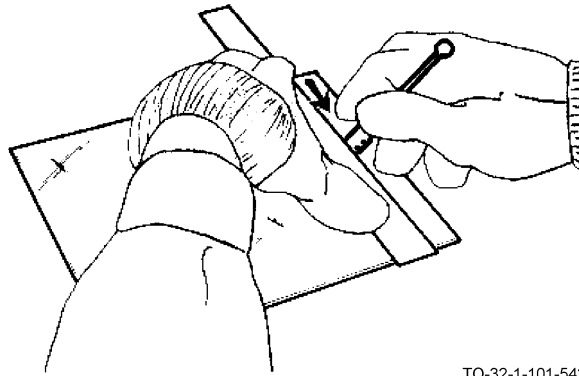
TO-32-1-101-540

- d. Apply a drop of light machine oil (3) to the cutting blade (4).



TO-32-1-101-541

- e. Hold down on the straight edge with one hand while holding the cutter (5) in an upright position in the other hand. Your forefinger should extend along the holder with your fingertip near the wheel.

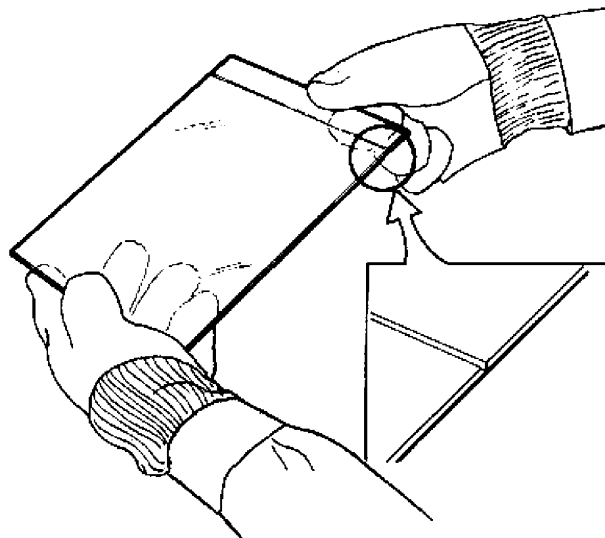


TO-32-1-101-542

- f. Start your cut at the far end of the pane of glass drawing the cutter toward you. It is important that you maintain proper pressure throughout the cut. Correct pressure is indicated by a scratching sound. Too much pressure or a dull wheel will produce a crunching sound. Make a continuous mark from one edge to the other edge.

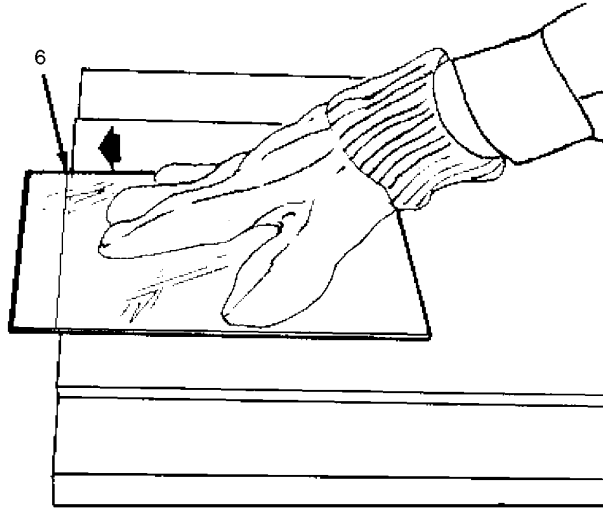
NOTE

Draw the cutter over the line only one time. If it is necessary to recut a groove, do not use a new cutter.



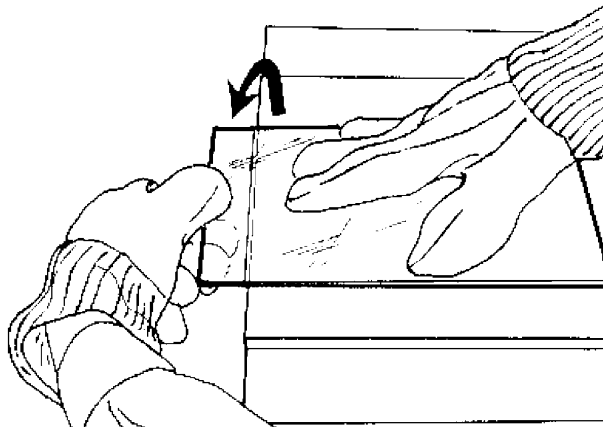
TO-32-1-101-543

g. A proper cut is indicated by a slight crack in the surface. It is best seen from the side opposite the mark.



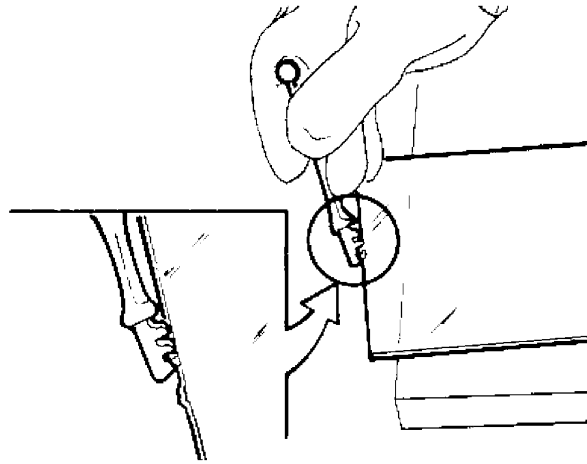
TO-32-1-101-544

h. To part the glass, slide the pane of glass so the scored groove (6) is about 1/8 inch beyond the table edge.



TO-32-1-101-545

- i. Hold down on the section resting on the working surface. Grasp the section extending over the edge with your other hand. Apply a light downward pressure to part the glass.



TO-32-1-101-546

- j. Remaining chips may be removed by applying a downward twisting motion using the notches of the cutter.

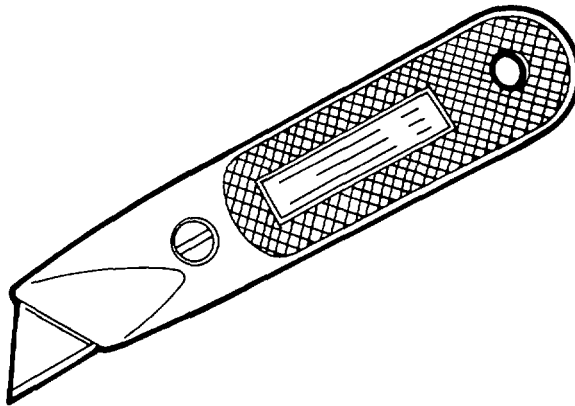
33.4 CARE OF CUTTERS.

- a. Make sure cutting blades remain sharp. Sharpen dull blades with a file or oil stone.
- b. When not in use, apply a light film of oil on the cutting edges.
- c. Store cutters in such a way as to prevent the blades accidentally making contact with personnel or other metal.
- d. For long periods of storage, coat entire cutter with rust-preventive compound and store in a dry place.

CHAPTER 34 KNIVES

34.1 HOW TO CHOOSE AND USE KNIVES.

Types and Uses, Paragraph 34.2, provides you with a list of some of the types of knives. These pages should help you select the right knife to do the job. Using a Putty Knife, Paragraph 34.4, tells you how to use the knife to perform the desired function. Care of Knives, Paragraph 34.5, tells you how to care for the items.

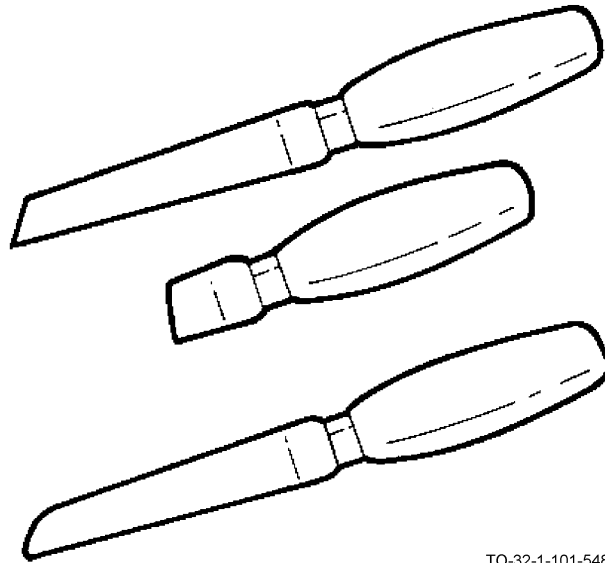


TO-32-1-101-547

34.2 KNIVES TYPES AND USES.

Most knives have cutting edges and are used to cut, pare, notch, and trim wood, leather, rubber, and other materials. However, putty knives are used to apply and spread putty when installing glass.

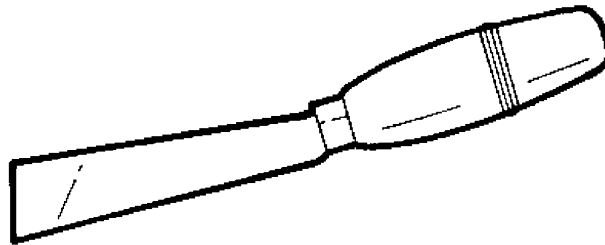
34.2.1 Rubber Cutting Knives.



TO-32-1-101-548

Rubber cutting knives come in a variety of styles and shapes. Some taper to a blunt round point. Some have a short, wide blade. Others have a long, wide hollow ground blade. The handle is usually oval in shape.

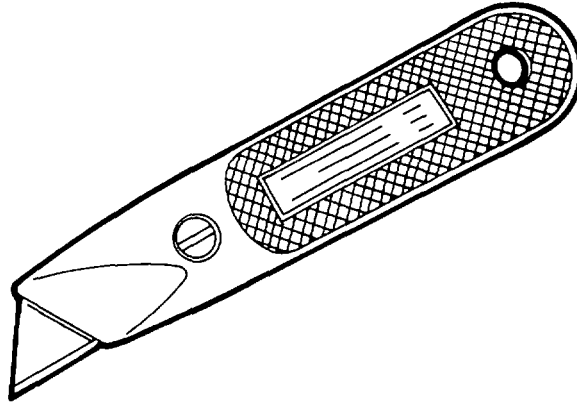
34.2.2 Saddler's Knives.



TO-32-1-101-549

Saddler's knives are used on leather and come in different shapes. One has a broad point on a 1-1/8 inch by 5 inch blade. One has a 5/8 inch by 3-7/8 inch square point blade. Another has a 5 inch rounded-end blade. Shoe knives are similar to saddler's knives, but usually they have a 3/4 inch by 3-1/4 inch blade.

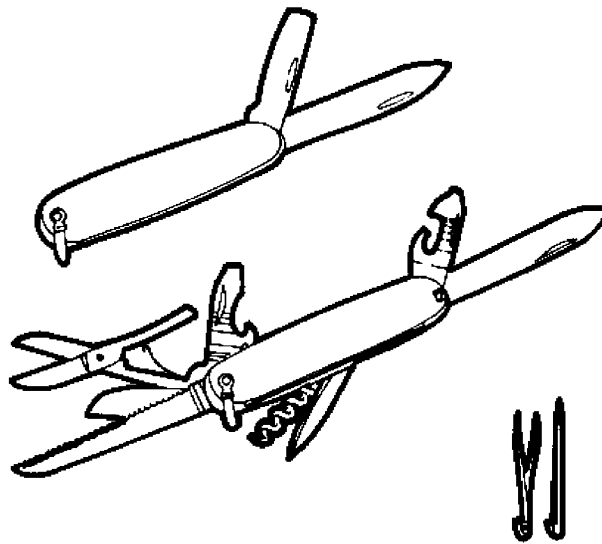
34.2.3 Shop Knife.



TO-32-1-101-547

The shop knife is used to cut wallboard, paper, cardboard, linoleum, canvas, and upholstery materials. Most shop knives have an aluminum handle and have storage space for five interchangeable blades in the 5 inch handle.

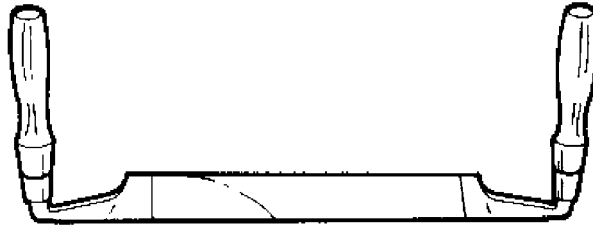
34.2.4 Pocket Knife.



TO-32-1-101-550

Pocket knives are used for light cutting, sharpening pencils, cutting string, and whittling. They are not suitable for heavy work. There are many styles and shapes. Some are multipurpose and have an assortment of blades which are used for forcing holes, driving screws, and opening cans, as well as cutting. The blades are hinged and contained within the case when not in use and are spring loaded to keep them firmly in place when open or closed.

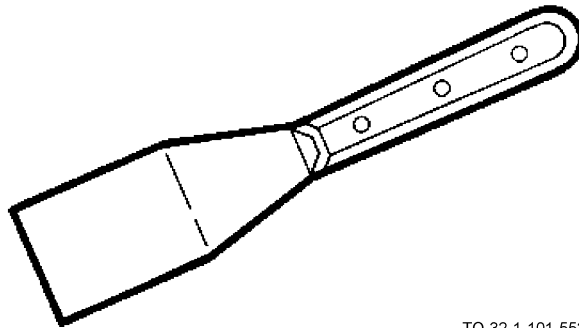
34.2.5 Draw Knife.



TO-32-1-101-551

A draw knife is a flat-edged tool used especially on round timber to rough-shape wood. It is used to smooth wood after chopping with a hatchet or axe. It consists of a single bevel blade and two round wooden handles, one at each end and at right angles to the blade. The handles may be adjustable or rigid.

34.2.6 Putty Knife.



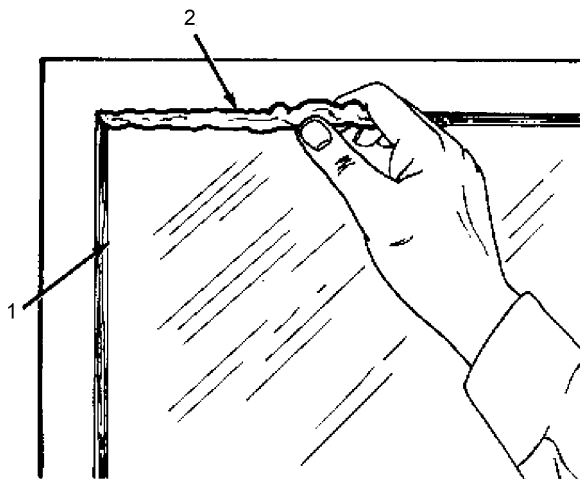
TO-32-1-101-552

A putty knife is used for applying putty to window sashes in setting panes of glass. The blade has a wide square point and is available in different lengths and widths.

34.3 KNIFE SAFETY.

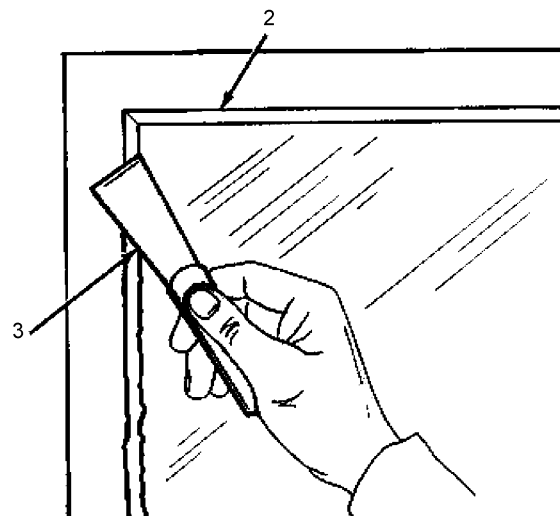
- a. Do not use knives which are larger than can be handled safely to cut work.
- b. Use knives only for the purpose for which they were designed.
- c. Do not carry open knives in your pocket.
- d. Do not leave knives in such a position that they will cause injury to others.
- e. Carefully put knives in a sheath or container after use to protect the sharp cutting edges from contacting other hard objects.
- f. Always cut away from the body, except when using the draw knife.

34.4 USING A PUTTY KNIFE.

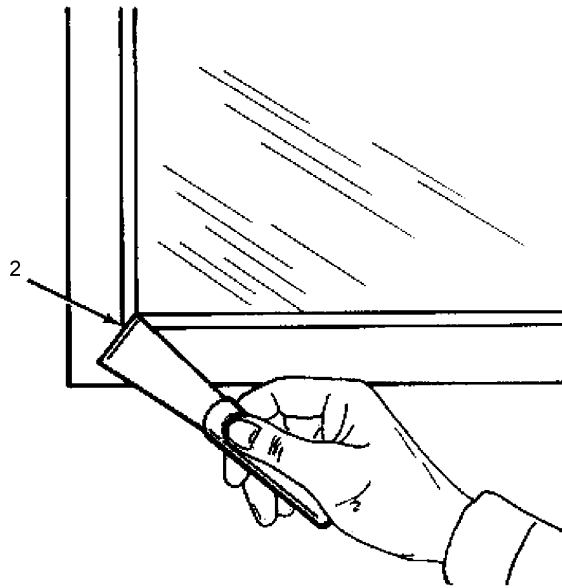


TO-32-1-101-553

- a. Before applying new putty, make sure that the frame (1) is clean and all the old putty has been removed.
- b. Roll new putty (2) into a rope and press it into the frame with your fingers.



TO-32-1-101-554



TO-32-1-101-555

NOTE

Occasionally dip the putty knife in water to aid in shaping the putty.

- c. With the putty knife (3), shape the putty (2) into an angle sloping from the glass down to the edge of the frame.
- d. Miter the putty (2) at the corners as shown.

34.5 CARE OF KNIVES.

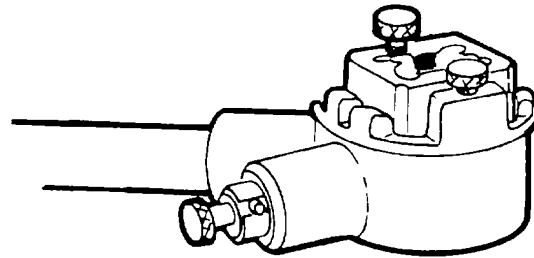
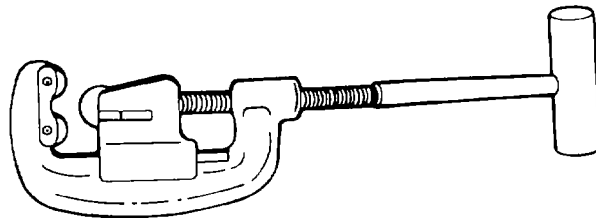
- a. Carefully put knives away after use.
- b. Protect the sharp cutting edges from contact with other hard objects.
- c. Use knives only for the purpose for which they are intended.
- d. Before storing, wipe all metal parts with an oily rag.
- e. For long-term storage, apply a thin film of rust-preventive compound on all metal parts and store in a dry place.

CHAPTER 35

PIPE CUTTING AND THREADING TOOLS

35.1 HOW TO CHOOSE AND USE PIPE CUTTING AND THREADING TOOLS.

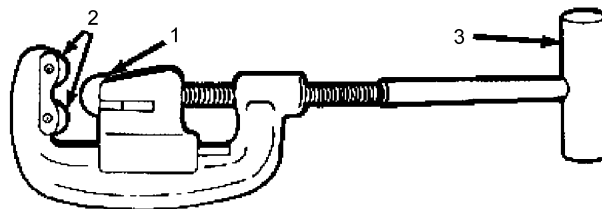
Types and Uses, Paragraph 35.2, provides you with a description of the pipe cutter and threading set. These pages should help you select the right cutting die to do the job. Using, Paragraph 35.3, tells you how to use the pipe cutter and threading set to perform the desired function. Care of Pipe Cutters and Threading Sets, Paragraph 35.5, tells you how to care for the items.



TO-32-1-101-556

35.2 PIPE CUTTING AND THREADING TOOLS TYPES AND USES.

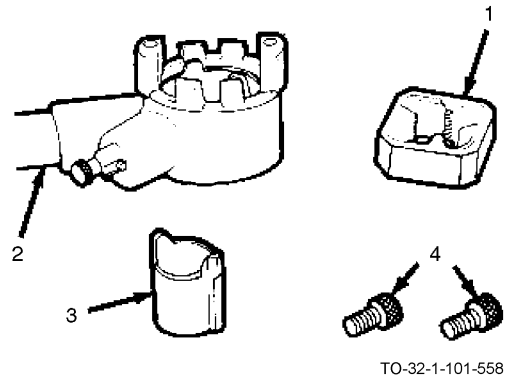
35.2.1 Pipe Cutters.



TO-32-1-101-557

There are two sizes of pipe cutters. One size can cut from 1/8 to 2 inches, while the other can cut from 2 to 4 inches. The pipe cutter has a cutting blade (1) and two pressure rollers (2) which are adjusted and tightened by turning the handle (3). Pipe cutters are used to cut steel, brass, copper, wrought iron, and lead pipe.

35.2.2 Pipe Threading Set.

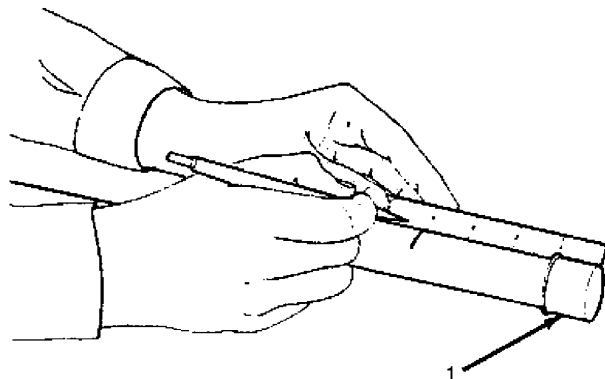


The pipe threading set contains an assortment of cutting dies (1), a handle or wrench (2), a collar (3) and locking screws (4). The cutting dies may range from 1/8 inch to 2 inches in diameter. The threading set is used to cut American Standard Pipe threads on steel, brass, copper, wrought iron, and lead pipe.

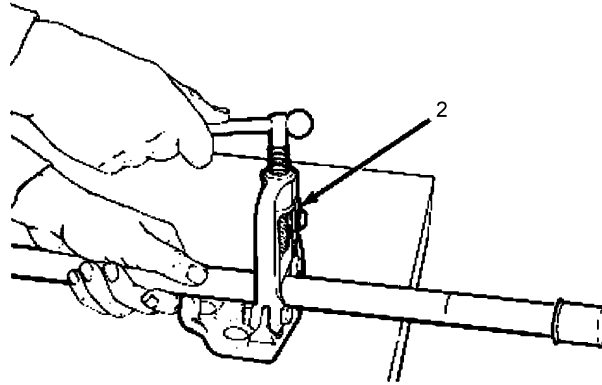
35.3 USING A PIPE CUTTER.

WARNING

Pipe often comes with a protective cap (1). Leave the cap on. It keeps you from getting cut on the sharp pipe ends.

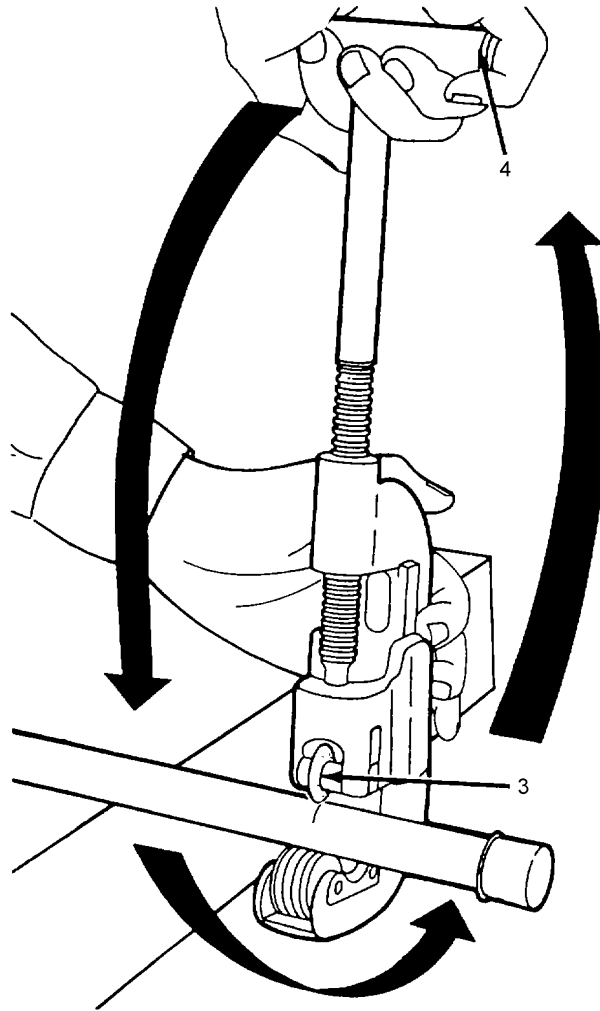


- a. Measure from end of pipe and make a mark where you want to cut.



TO-32-1-101-560

- b. Fasten pipe securely in a pipe vise (2). Be sure mark is clear so that it can be cut. Pipe must be supported on both ends to keep it from bending.



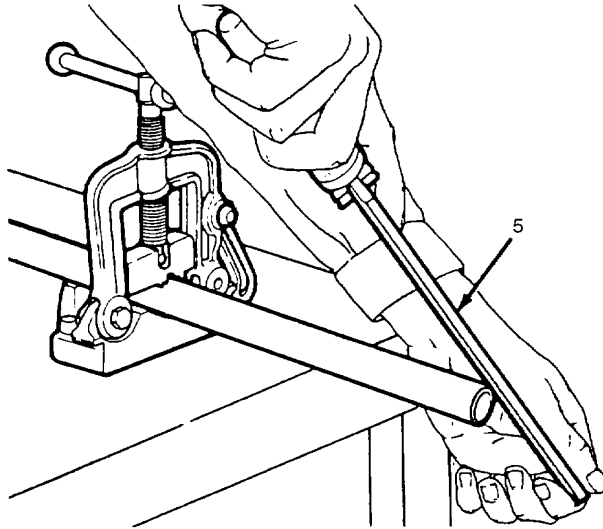
TO-32-1-101-561

- c. Open the jaws of the pipe cutter enough to allow the pipe cutter to be placed around the pipe. Adjust so that the cutting blade (3) is on the line.
- d. Tighten the handle (4) until cutting blade makes contact with pipe.
- e. Then turn the handle (4) 1/4 of a turn more clockwise.
- f. Now turn the whole cutter one turn around the pipe (counterclockwise).

g. Repeat Step e and Step f until the pipe is cut through.

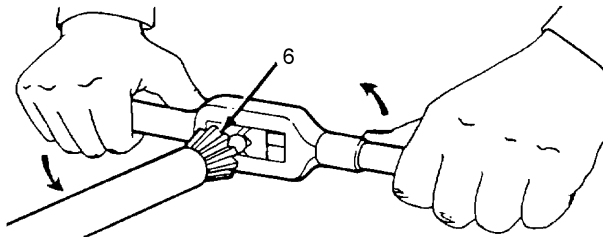
NOTE

Be sure the cutter is at a right angle to the pipe as shown to keep the wheel on track.



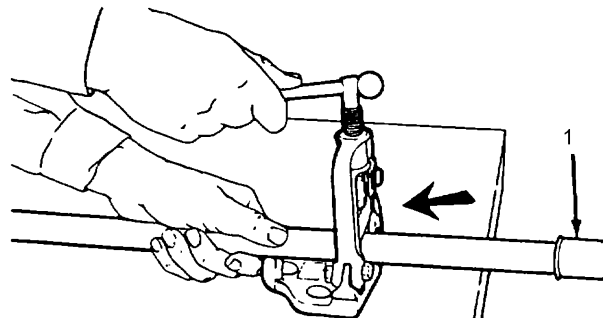
TO-32-1-101-562

h. Remove the shoulder (the rough edge left by cutting) from the outside of the pipe with a file (5).



TO-32-1-101-563

i. Remove the burr from the inside of the pipe with a pipe reamer (6). (See Chapter 39 for care and use of pipe reamers.)



TO-32-1-101-564

- j. Place protective cap (1) on cut pipe end and remove from vise.

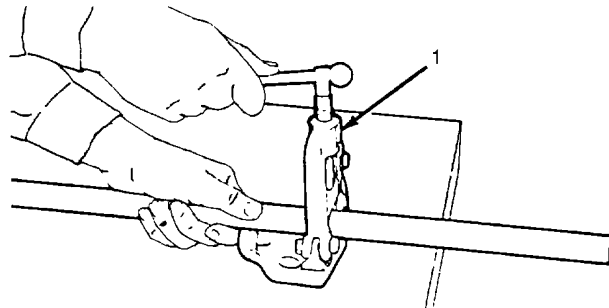
NOTE

If the part of the pipe you cut off is going to be used, put in vise and repeat Step h and Step i. If you are going to store the pipe, put the protective cover back on.

35.4 USING A PIPE THREADING SET.

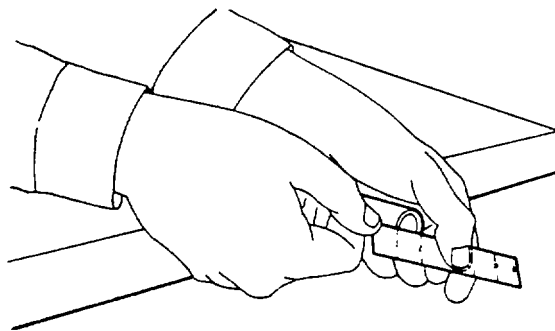
WARNING

Pipe ends are extremely sharp. Use care when handling. Failure to comply could result in injury to, or death of, personnel or long term health hazards.



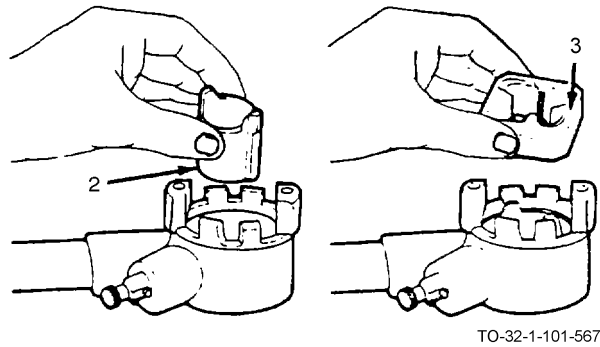
TO-32-1-101-565

- a. Clamp pipe securely in pipe vise (1) with end to be threaded extending beyond the edge of the vise jaws as shown.

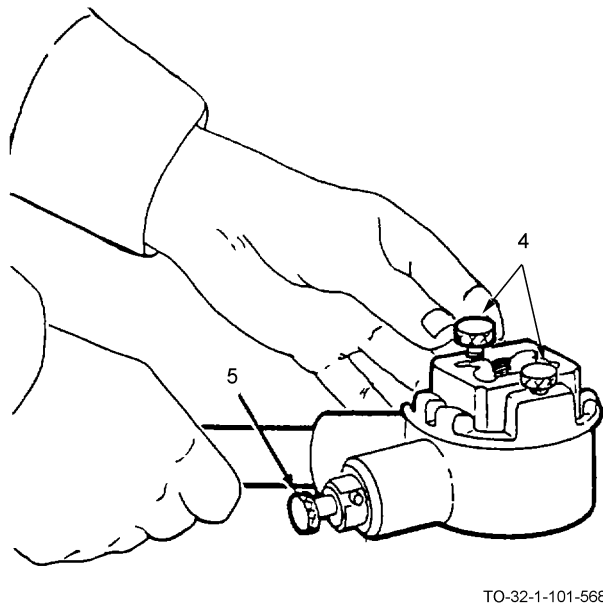


TO-32-1-101-566

- b. Measure outside pipe diameter to determine the proper die.

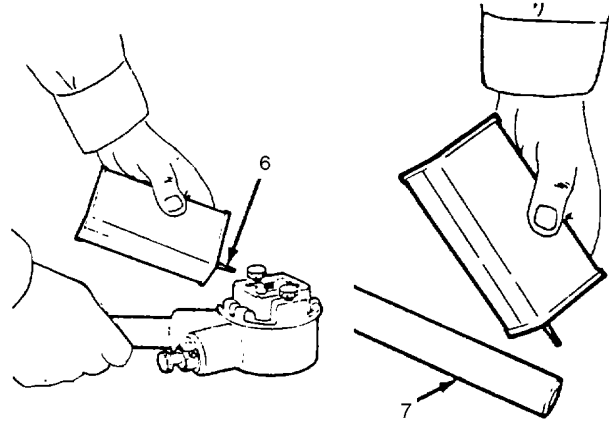


- c. Inspect the die for nicks, and be sure that it is sharp. Assemble die on ratchet die stock as shown in Step d, Step e, and Step f.
- d. Insert collar (2).
- e. Insert cutting die (3) over top of collar (2).



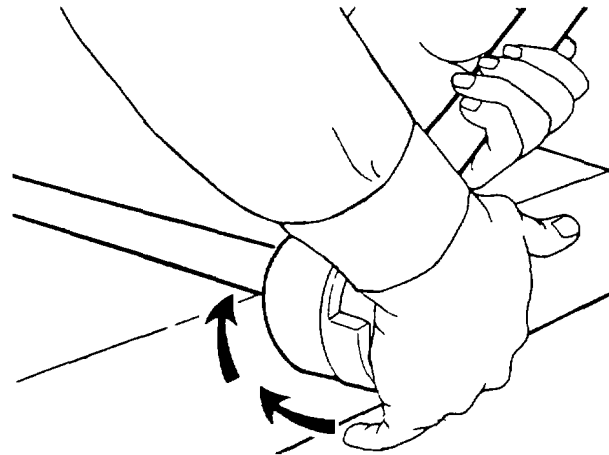
- f. Secure in place with locking screws (4).

- g. Set ratchet to turn in a counterclockwise direction by pulling out ratchet control knob (5) and turning it 180 degrees. The ratchet permits cutting threads on pipes where it is not possible to turn the handle 360 degrees. It is set for clockwise or counterclockwise rotation by pulling out and turning the ratchet control knob (5) from one detent to the other.



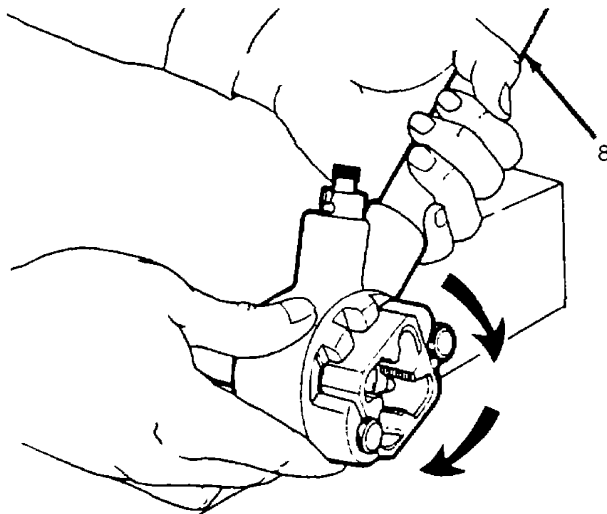
TO-32-1-101-569

- h. Apply cutting oil (6) to die and to end of pipe (7) to prevent overheating of dies and damaging of threaded surface.



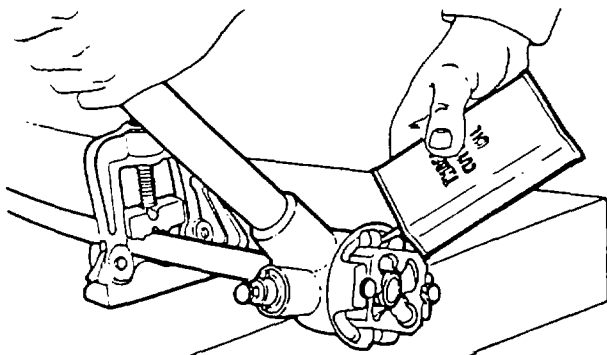
TO-32-1-101-570

- i. Slide cutting die over end of pipe to be threaded and apply light pressure with the heel of your hand.



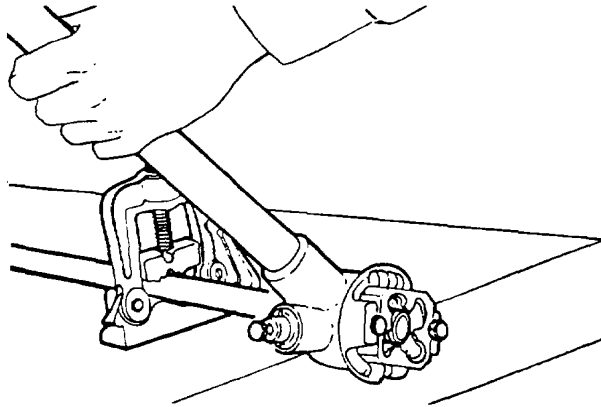
TO-32-1-101-571

- j. Start die with short strokes of the ratchet handle (8). Be sure the die is going on the pipe squarely.



TO-32-1-101-572

- k. After a full turn of the die, apply another coat of cutting oil.



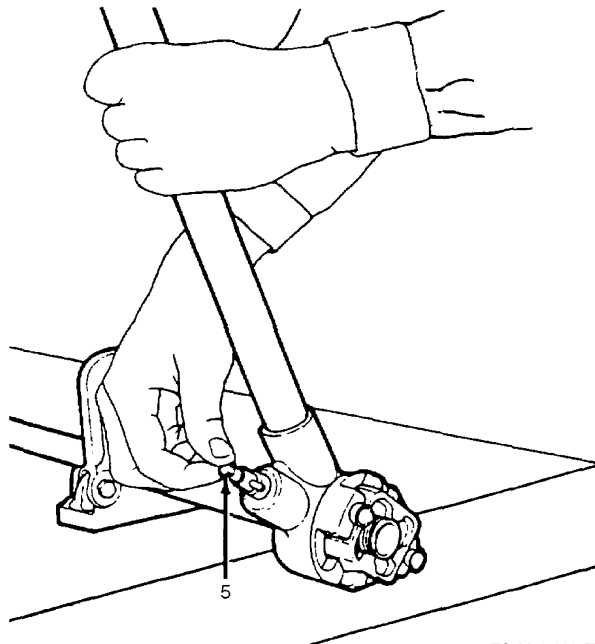
TO-32-1-101-573

- l. After two more turns on the die, back off one turn and apply a coat of cutting oil.

NOTE

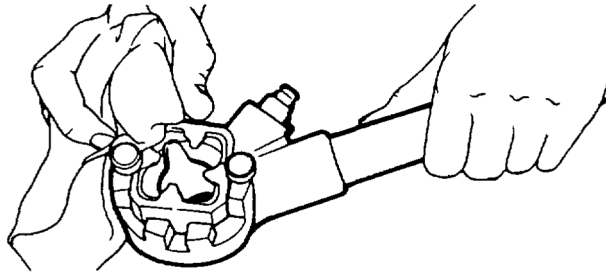
If metal shavings become clogged in the die, remove the die and clean it with a piece of cloth.

- m. Keep repeating Step k until desired thread length is obtained.



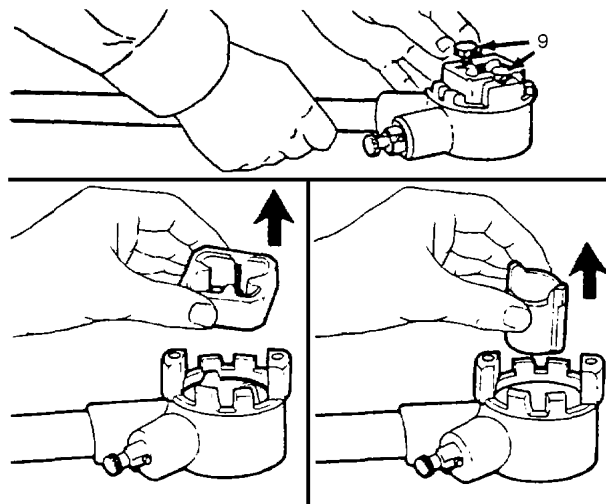
TO-32-1-101-574

- n. Reverse ratchet by pulling ratchet control knob (5) from detent and turning it 180 degrees. Then back up the cutting die.



TO-32-1-101-575

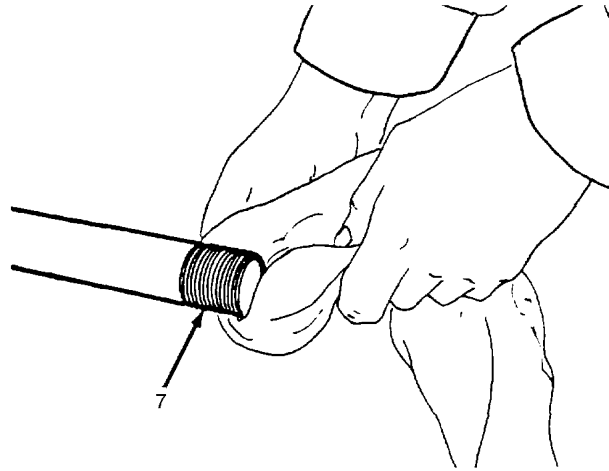
- o. Wipe excess oil and metal shavings from die and ratchet handle.



TO-32-1-101-576

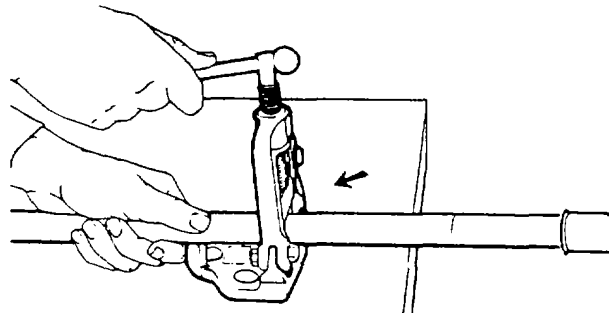
AIR FORCE AIR FORCE TO 32-1-101
ARMY ARMY TM 9-243
MARINE CORPS MARINE CORP TM 10209-10/1
NAVY (NAVAIR) NAVY M6290-AJ-MAN-1010

- p. Disassemble the die from the ratchet handle as shown, by removing locking screws (9). Remove die and collar from ratchet head.



TO-32-1-101-577

- q. Wipe excess oil and shavings from threaded end of pipe (7).

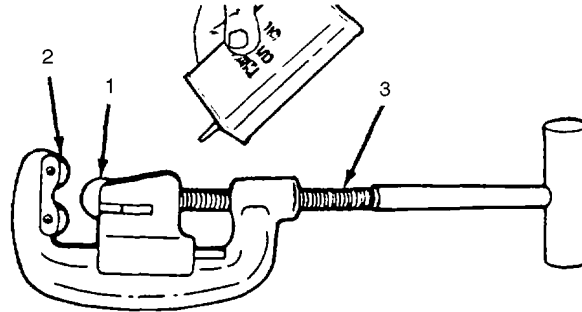


TO-32-1-101-578

- r. Place cap, if available, over threads and remove the pipe from the vise.

35.5 CARE OF PIPE CUTTERS AND THREADING SETS.

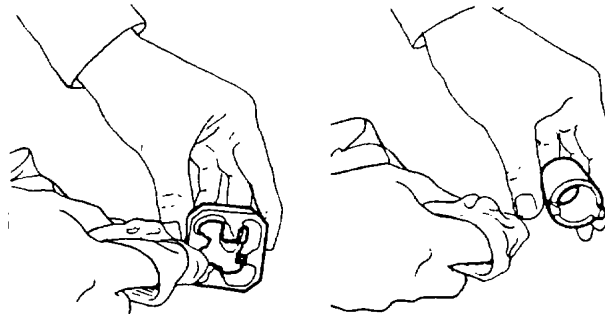
35.5.1 Pipe Cutters.



TO-32-1-101-579

- a. Clean and lightly oil the cutter wheel (1), roller guide (2), and adjusting screw (3).
- b. Store on a rack or in a box which protects the cutting wheel.

35.5.2 Threading Sets.



TO-32-1-101-580

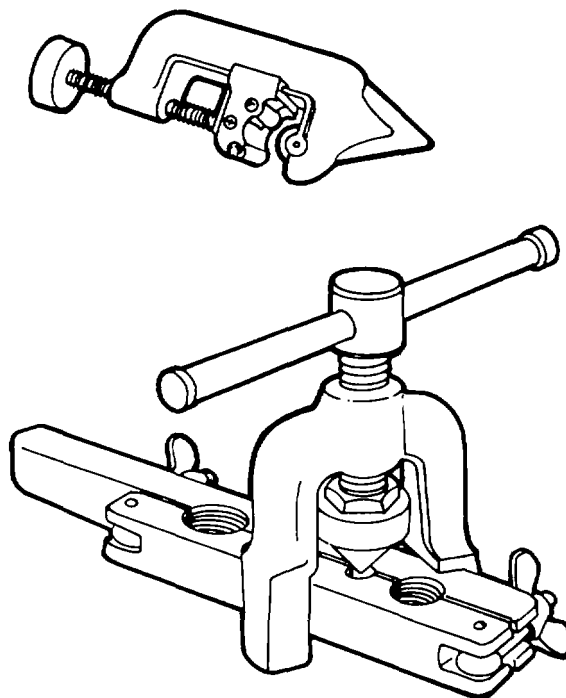
- a. Wipe off excess cutting oil and clean metal shavings from the cutting die edges and collar.
- b. Store in a case or box which will protect the cutting dies.

CHAPTER 36

TUBE CUTTING AND FLARING TOOLS

36.1 HOW TO CHOOSE AND USE TUBE CUTTING AND FLARING TOOLS.

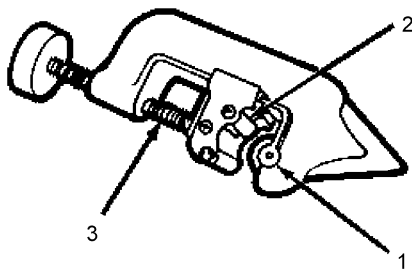
Types and Uses, Paragraph 36.2, provides you with a description of the tube cutting and flaring tool. These pages should help you select the right flaring combination to do the job. Using a Flaring Tool, Paragraph 36.3, tells you how to use the tube cutting and flaring tools to perform the desired function. Care of Tube Cutters and Flaring Tools, Paragraph 36.4, tells you how to care for the items.



TO-32-1-101-581

36.2 TUBE CUTTING AND FLARING TOOLS TYPES AND USES.

36.2.1 Tube Cutters.



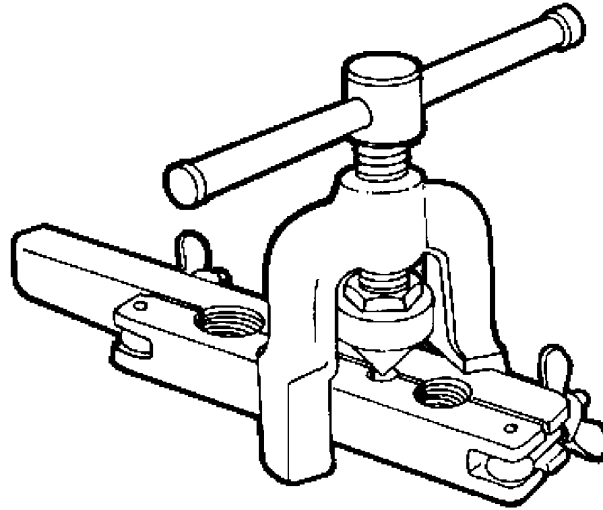
TO-32-1-101-582

Tube cutters have a cutting blade (1), guide rollers (2), and an adjusting screw (3). Some cutters have a reaming blade

AIR FORCE AIR FORCE TO 32-1-101
ARMY ARMY TM 9-243
MARINE CORPS MARINE CORP TM 10209-10/1
NAVY (NAVAIR) NAVY M6290-AJ-MAN-1010

attached to the frame of the cutter. Tube cutters can cut from 1/8 inch through 2-5/8 inches tubing. They can cut copper, aluminum, or brass tubing.

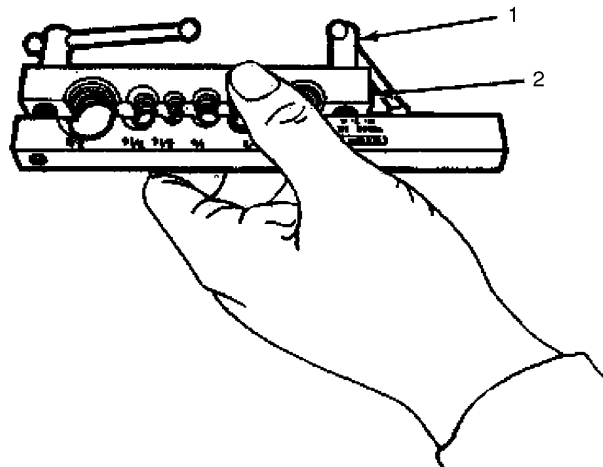
36.2.2 Flaring Tool.



TO-32-1-101-583

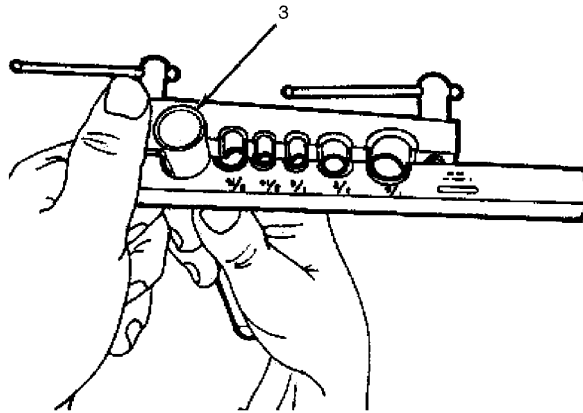
Flaring tools are of two basic types, single and double. They are used to put flares in soft tubing. The single flaring tool consists of a split die block, a locking clamp with compressor screw and a cone which forms a 45 degree flare on the end of the tube. The screw has a T-handle. The die block is constructed to be used on the following outside diameter tubing: 1/8, 3/16, 1/4, 5/16, 3/8, 7/16, 1/2, 5/8, and 3/4 inch. The double flaring tool consists of a split die block, a locking clamp with compressor screw, adapters for turning tube edge, and a cone which forms a 45 degree flare on the end of the tube. The screw has a T-handle.

36.3 USING A FLARING TOOL.



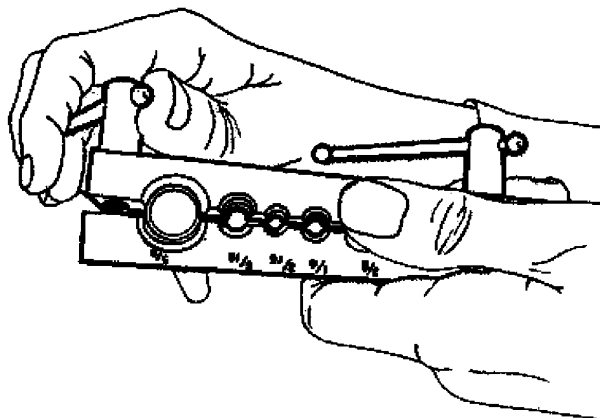
TO-32-1-101-584

- a. Loosen die block clamp screws (1), and open die block clamp (2).



TO-32-1-101-585

- b. Insert tubing to be flared (3) into die block clamp.

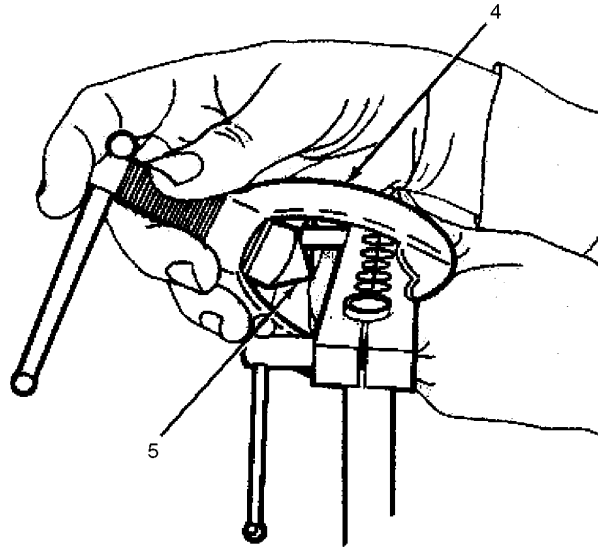


TO-32-1-101-586

- c. Hold tubing so there is about 1/8 inch extending above die block clamp, and tighten die block clamp screws.

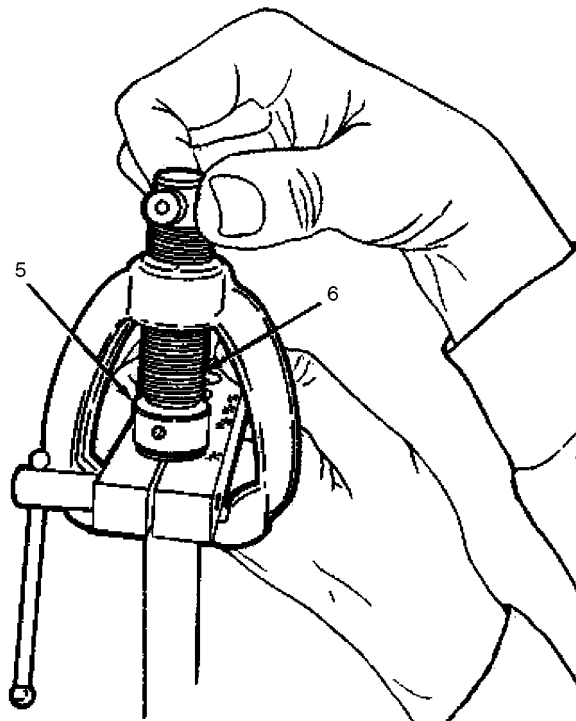
NOTE

Do not over-tighten cutter as tubing may kink and flatten.



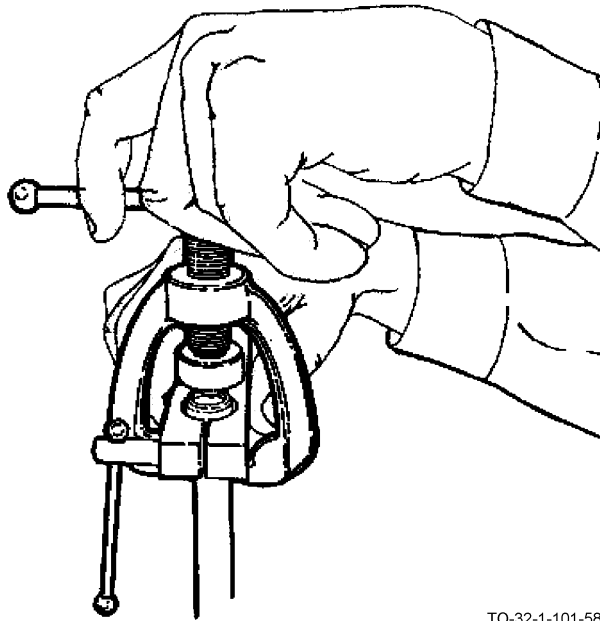
TO-32-1-101-587

- d. Slide yoke (4) over die block clamp, and align the tip (5) over the end of tubing.



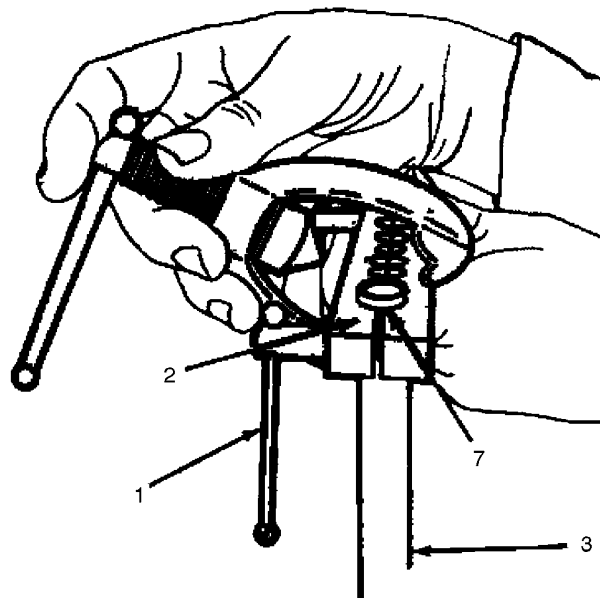
TO-32-1-101-588

- e. Tighten feed screw (6), forcing the tip (5) into the tubing and forcing the tubing into the chamber of the die block clamp.



TO-32-1-101-589

- f. When desired flare is reached, unscrew feed screw, and remove yoke from die block clamp.

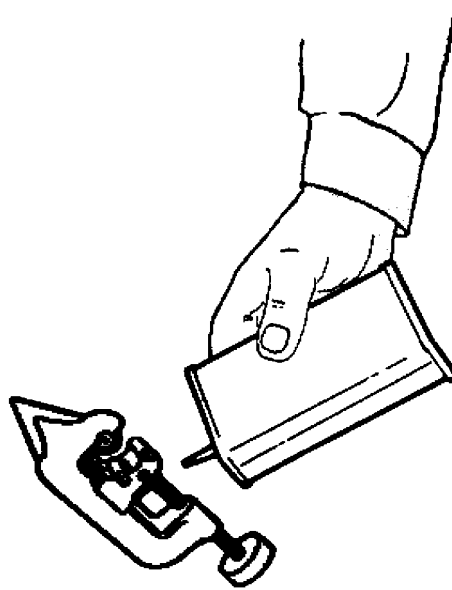


TO-32-1-101-590

- g. Unscrew die block clamp screws (1) and open die block clamp (2), releasing tubing (3).
- h. Inspect flange (7) in tubing for cracks or breaks.
- i. If a crack or break is detected, the tubing will have to be cut and reflanged.

36.4 CARE OF TUBE CUTTERS AND FLARING TOOLS.

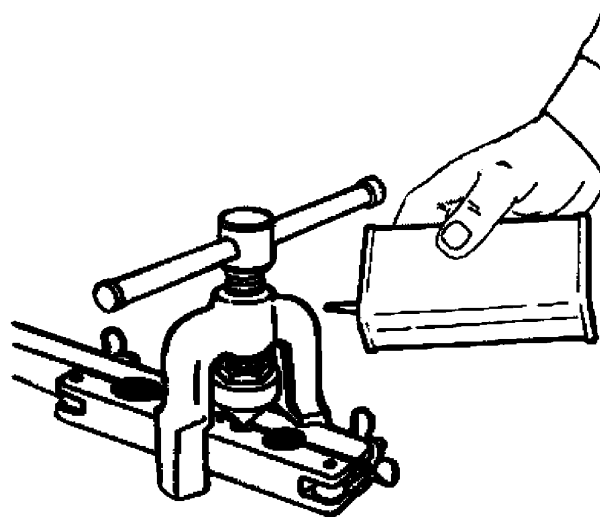
36.4.1 Tube Cutters.



TO-32-1-101-591

Keep cutting wheel clean and lightly oiled. If a reaming device is mounted on the body of the cutter, keep it retracted when not in use. Store tube cutters on a rack or in a box.

36.4.2 Flaring Tool.



TO-32-1-101-592

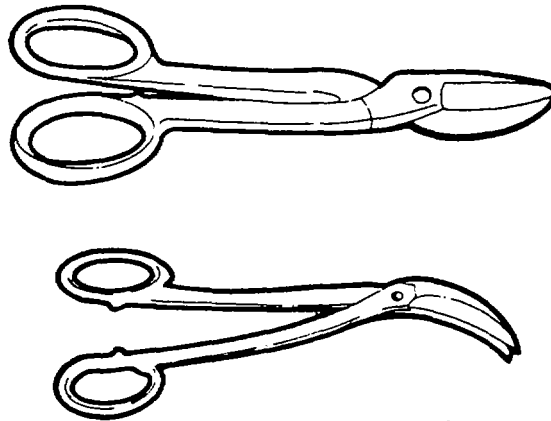
Keep surfaces clean and lightly oiled. Close single flaring tools and tighten cone into block for storing. Keep double flaring tools in the case when not in use.

CHAPTER 37

SHEARS AND NIPPERS

37.1 HOW TO CHOOSE AND USE SHEARS AND NIPPERS.

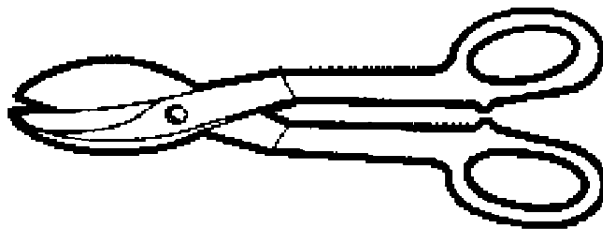
Types and Uses, Paragraph 37.2, provides you with a list of some of the types of shears and nippers. These pages should help you select the right tool to do the job. Using Cutting Nippers, Paragraph 37.4, tells you how to use the shears and nippers to perform the desired function. Care of Shears and Nippers, Paragraph 37.5, tells you 'how to care for the items.



TO-32-1-101-593

37.2 SHEARS AND NIPPERS TYPES AND USES.

Shears are used for cutting sheet metal and steel of various thicknesses and shapes. Shears come in a variety of styles and sizes.



TO-32-1-101-594

AIR FORCE AIR FORCE TO 32-1-101
ARMY ARMY TM 9-243
MARINE CORPS MARINE CORP TM 10209-10/1
NAVY (NAVAIR) NAVY M6290-AJ-MAN-1010

37.2.1 Hand Shears. Hand shears are made with straight or curved cutting blades. Shears are made for right-handed operators so the cutline is always in full view for accurate cutting.



TO-32-1-101-595

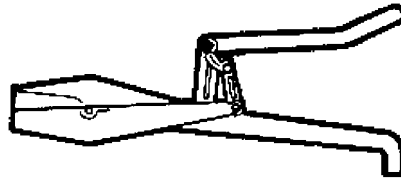
Straight-bladed shears are used to cut straight lines or to cut curves in locations that are easily reached.



TO-32-1-101-596

Shears with curved blades such as the hawk bill and the curved blade hand shears are made especially for cutting short straight lines or curves. They are also used for cutting out small intricate designs in locations where it is necessary to keep the handles and handle-operating hand away from the metal stock.

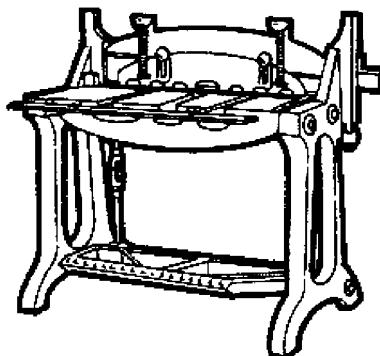
37.2.2 Tinner's Bench Shears.



TO-32-1-101-597

The tinner's bench shear is larger than a hand shear and is used for cutting heavy sheet metal. The lower handle has a hook which can be placed in a hole in the bench so that the operator will have a free hand to guide the work. The bench shear makes a 6 inch cut and is approximately 36 inches long.

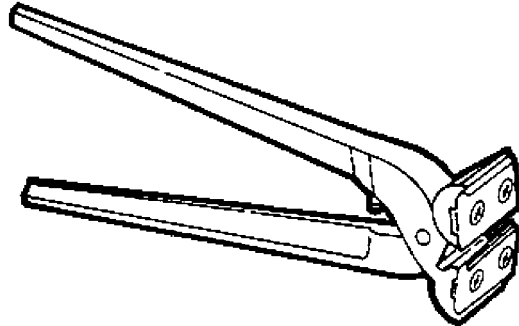
37.2.3 Metal Shearing Machine.



TO-32-1-101-598

The metal shearing machine is foot-operated and is used to cut original sheets into smaller, usable size stock. The shear blade is 36 inches long and will cut all sheet metal up to and including 1/16 inch of mild steel or 1/8 inch of iron.

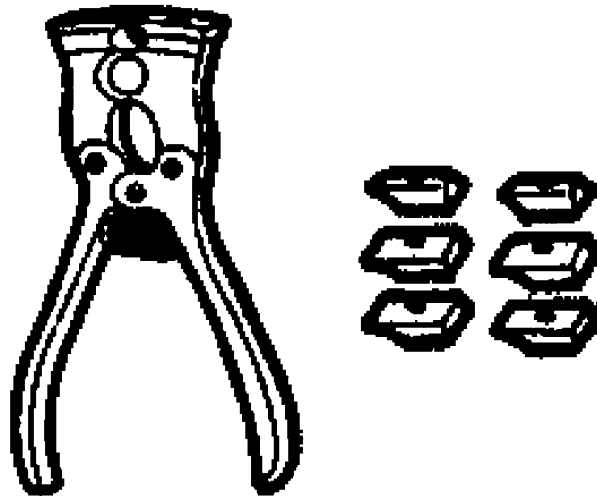
37.2.4 Nippers.



TO-32-1-101-599

Nippers are used to cut protruding metal flush with a surface. They are also used to cut wire, bolts, nails, and light metal bars to specified dimensions. Nippers come in a variety of styles and sizes.

37.2.5 Cutting Nippers.



TO-32-1-101-600

Cutting nippers are available with integral or detachable cutters. They are used to cut wire, light metal bars, bolts, nails, and to cut protruding metal flush with a surface. Some nippers have adjusting screw stops in the handle and adjustable jaws. Others have detachable jaws with compound leverage and come with three extra pairs of jaws. Cutting nippers range in size from 5-1/2 to 15 inches long and up to 1-3/4 inches in jaw widths.

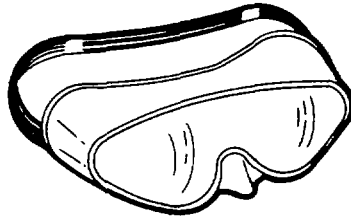
37.3 SHEARS AND NIPPERS SAFETY.

1. Keep fingers, hands, and other parts of the body clear of the cutting edges of bench shears, the shearing machine, hand shears, and nippers.
2. Do not carry shears or nippers in your pocket.
3. Always steady the work that is to be cut.
4. After use, be sure to hang the tools or store them in their proper place.

37.4 USING CUTTING NIPPERS.

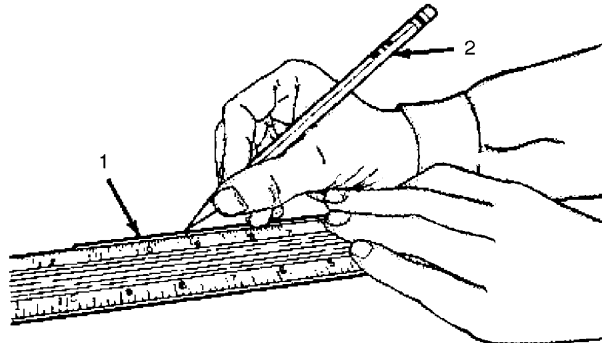
WARNING

Wear eye protection and watch the fingers. Failure to comply could result in injury to, or death of, personnel or long term health hazards.



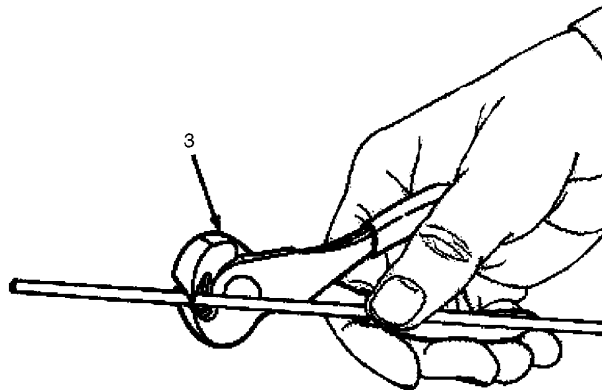
TO-32-1-101-200

37.4.1 Wire Cutting.



TO-32-1-101-601

- a. Place the wire (1) on the table. Measure the section to be cut off. Mark it with pencil, chalk, soapstone or other suitable marking piece (2).



TO-32-1-101-602

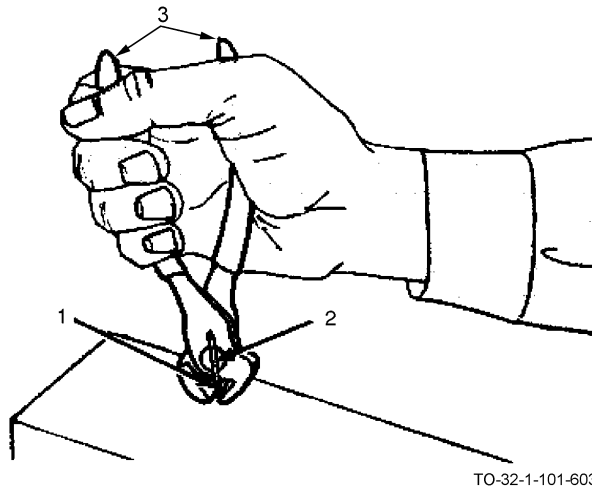
- b. Take the nippers (3) in the right hand and place the cutting edge on the mark.

NOTE

Left-handed people will reverse this procedure.

- c. Squeeze the handles together slowly, exerting enough pressure to cut the wire.
- d. Repeat procedure for as many pieces of wire as need to be cut.

37.4.2 Flush Cutting.



- a. Place the cutting edge (1) of the nippers over the nail, wire, rivet, or bolt (2) that is to be cut flush with the surface.
- b. Squeeze the handles (3) together slowly, exerting enough pressure to cut the materials.
- c. File cut edge smooth to prevent injury.

37.5 CARE OF SHEARS AND NIPPERS.

- a. Keep tools clean at all times. Lubricate the pivot screw or bolt with a drop of light oil.
- b. Remove rust with a fine aluminum-oxide abrasive cloth.
- c. Apply a thin film of oil on tools to prevent rust, and hang tools on hooks or place them on a shelf when not in use.
- d. Do not throw cutting tools together in a box where the cutting edges may be damaged.
- e. Do not use the shearing machine table as a storage place for other tools and work.
- f. Do not attempt to cut material heavier than the tools or machines are designed to handle.
- g. Do not use shears or nippers as hammers or pry bars, as they are easily damaged.
- h. Dull shears can usually be sharpened on an oilstone or with a file.

AIR FORCE AIR FORCE TO 32-1-101
ARMY ARMY TM 9-243
MARINE CORPS MARINE CORP TM 10209-10/1
NAVY (NAVAIR) NAVY M6290-AJ-MAN-1010



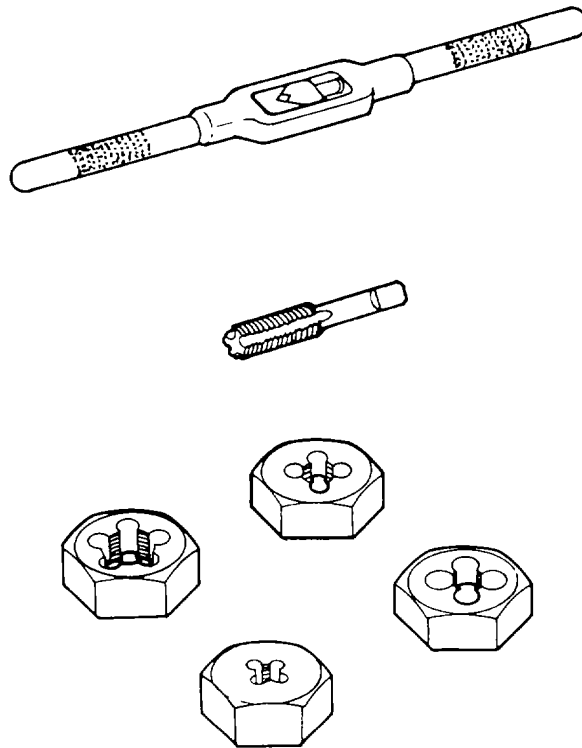
Do not grind shears if sharpening is all that is necessary. Most shears become useless after two or three grindings. Failure to comply could result in damage to, or destruction of, equipment or loss of mission effectiveness.

- i. Grind the shears and nippers only if the cutting edges become nicked, damaged, or distorted from improper sharpening or prolonged use.
- j. For long-term storage, coat tools with a rust-preventive compound and store in a dry place where the cutting edges will not come in contact with other metal objects.

CHAPTER 38 TAPS AND DIES

38.1 HOW TO CHOOSE AND USE TAPS AND DIES.

Types and Uses, Paragraph 38.2, provides you with a list of some of the types of taps and dies. These pages should help you select the right taps and dies to do the job. Using, Paragraph 38.3, tells you how to use taps and dies to perform the desired functions. Care, Paragraph 38.5, tells you how to care for the item.

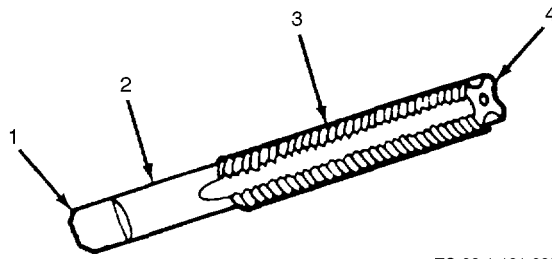


TO-32-1-101-604

38.2 TAPS AND DIES TYPES AND USES.

Taps and dies are used to cut threads in metal, plastics or hard rubber. The taps are used for cutting internal threads, and the dies are used to cut external threads.

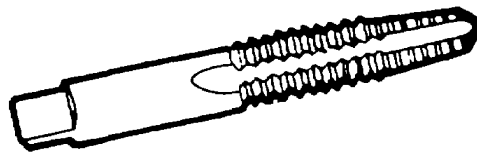
38.2.1 Taps.



TO-32-1-101-605

Taps are made of hardened steel and have the following parts: a square end (1), a round shank (2), a body (threaded) section (3) and a chamfer (4). The square end is used to turn the tap with either a straight or T-handed tap wrench. The shank is a smooth, rounded section which is immediately behind the threaded section. The body (threaded) section contains four flutes which have threads cut into their upper edges. They have a hollow section near the center to permit metal shavings to fall away from the cutting edges. The chamfer is the nonthreaded end of the tap. It allows the tap to be positioned squarely in the metal to be threaded without engaging the threads of the tap.

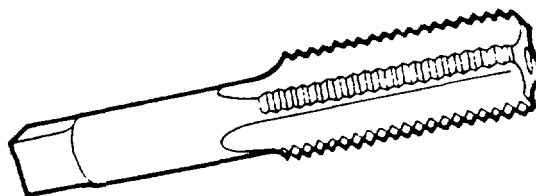
38.2.1.1 Taper (Starting) Hand Tap.



TO-32-1-101-606

The taper (starting) hand tap has a chamfer (non-threaded) length equal to eight to ten threads. The taper hand tap is used to start tapping operations.

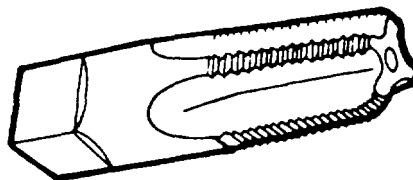
38.2.1.2 Bottoming Hand Tap.



TO-32-1-101-607

The bottoming hand tap has a chamfer length equal to one to one and one-half threads. This tap is used for threading the bottom of a blind hole only after the taper and plug taps have been used. This tap is also used when tapping hard materials.

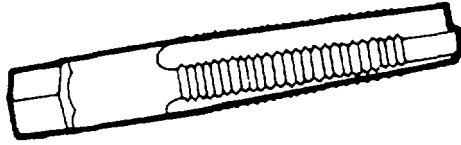
38.2.1.3 Pipe Hand Tap.



TO-32-1-101-608

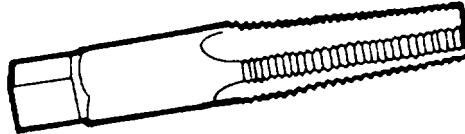
The pipe tap has a tapered diameter which increases at a rate of $\frac{3}{4}$ inch per foot. All the threads on the pipe tap are designed to cut pipe. The pipe tap is used for cutting pipe fittings and in other places where extremely tight fits are required.

38.2.1.4 Boiler Hand Taps. There are two types of boiler taps, straight and tapered.



TO-32-1-101-609

Straight boiler taps range in size from 1/2 inch to 1-1/2 inches in diameter and have a chamfer for starting the tap.



TO-32-1-101-610

Tapered boiler taps have tapered diameters which increase at a rate of 3/4 inch per foot.

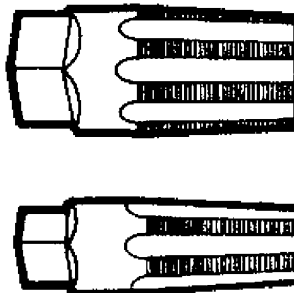
38.2.1.5 Staybolt Taps.



TO-32-1-101-611

Staybolt taps are used in boiler, locomotive, and railroad shops for tapping holes in the outer and inner plates or shells of boilers. The staybolt tap has two separate threaded areas. The first is for cutting threads and the second is for guiding the tap into another piece of metal for threading by the cutting threads. The spindle-type staybolt has an adjustable spindle which changes the distance between the cutting threads and the guide threads.

38.2.1.6 Mud Hand Taps (Washout Tap).

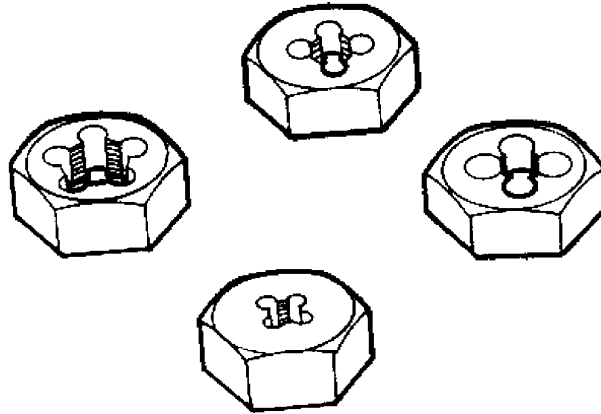


TO-32-1-101-612

The mud or washout tap has six flutes, tapers 1-1/4 inch per foot, and has 12 threads per inch. It is used for cutting American National or V-form threads in mud plug drain holes.

38.2.2 Dies.

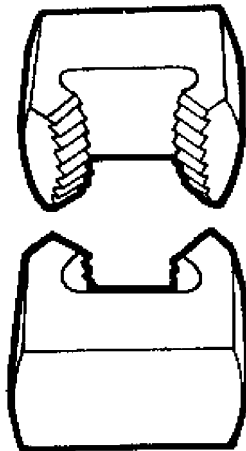
38.2.2.1 Rethreading Die.



TO-32-1-101-613

Rethreading dies are used to restore bruised (rounded) or rusty threads on screws and bolts. The rethreading die is hexagonal in shape and may be turned with a socket, box, open-end, or any other wrench that will fit. They are available in American Coarse and Fine Threads. Rethreading dies are available in a variety of sizes and are usually assembled in sets with a case.

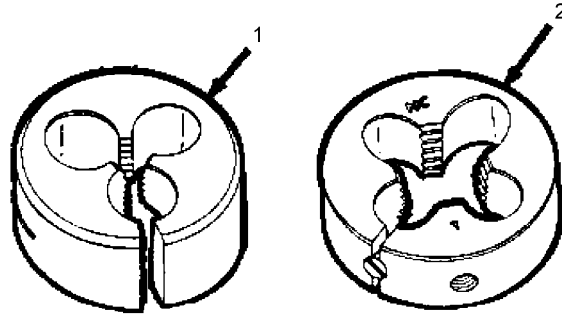
38.2.2.2 Two-Piece Collet Die.



TO-32-1-101-614

The two-piece collet die consists of the two die sections, the collet cap, and collet guide. The die sections are placed inside the cap and held in place by the guide. Adjustment of the die is done by turning setscrews on either end of the internal slot. They are used to cut American Standard Coarse and Fine Threads and are available in assorted sizes.

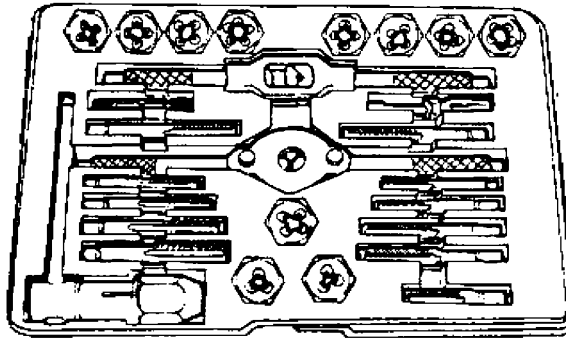
38.2.2.3 Round Split Adjustable Die.



TO-32-1-101-615

The round split adjustable die (1), or button die, may be adjusted through the screws on the holder. Adjustment on the open type is done by turning the three screws on the holder. One expands the die while the other two compress the die. Adjustment of the screw type (2) is done by turning a finepitch screw that either forces the die jaws apart or allows them to spring together. The round split adjustable dies are used to cut American Standard Coarse and Fine Threads. A die holder or handle is needed for proper operation of round split adjustable dies.

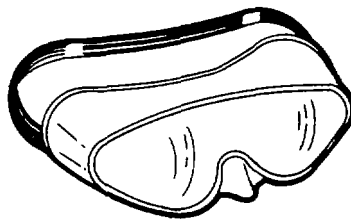
38.2.2.4 Thread Cutter Set.



TO-32-1-101-616

The thread cutter set is made up of a combination of taps, dies, diestocks, tap wrenches, guides, and screwdrivers and wrenches for making adjustments. Thread cutter sets are used for cutting internal and external threads.

38.3 USING A HAND TAP.



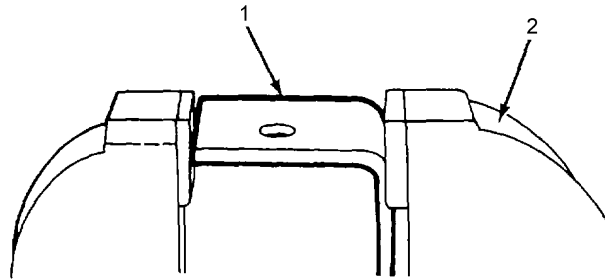
TO-32-1-101-200

WARNING

Wear eye protection. Failure to comply could result in injury to, or death of, personnel or long term health hazards.

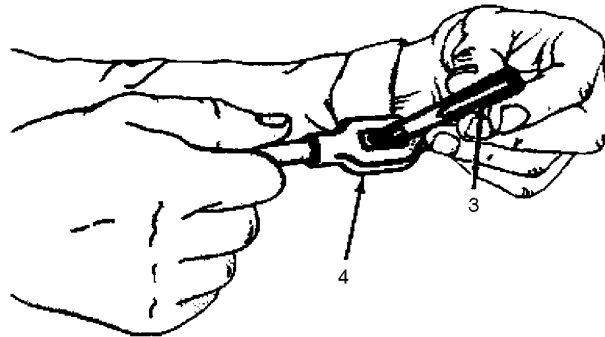
NOTE

The following procedures may also be followed when using a taper tap or a bottoming hand tap.



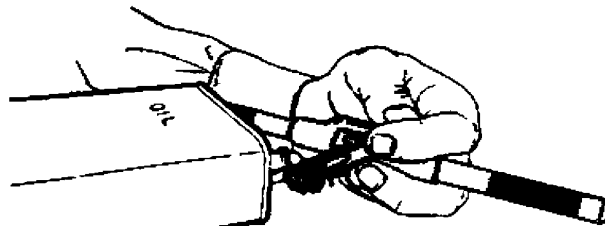
TO-32-1-101-617

- a. Clamp a steel plate (1) securely in a vise (2). Drill and ream a hole of desired size.



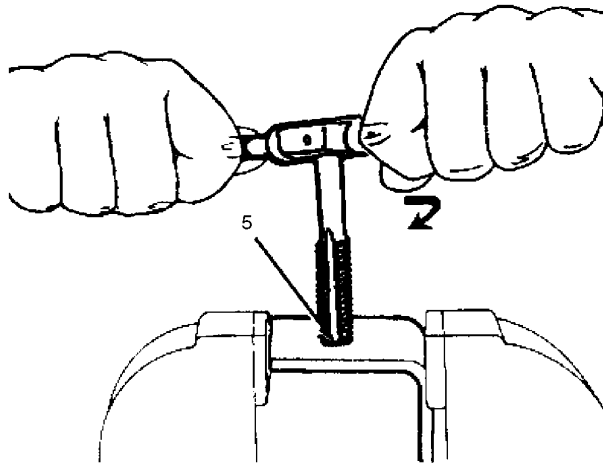
TO-32-1-101-618

- b. Select tap (3) and secure in tap wrench (4).



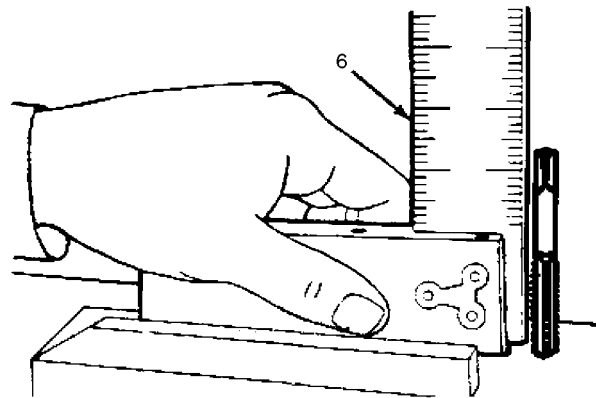
TO-32-1-101-619

- c. Apply cutting oil to the tap and the hole.



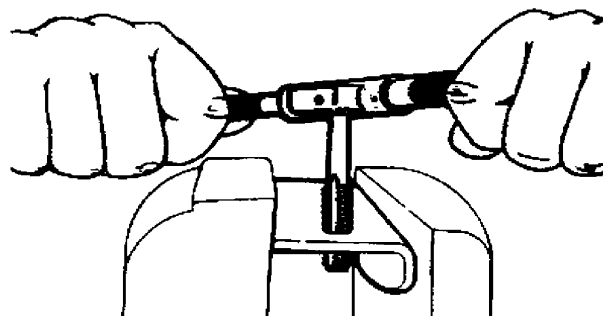
TO-32-1-101-620

- d. Place point of the tap in hole (5) and rotate clockwise for right-hand threads or rotate left-handed tap counterclockwise for left-hand threads.



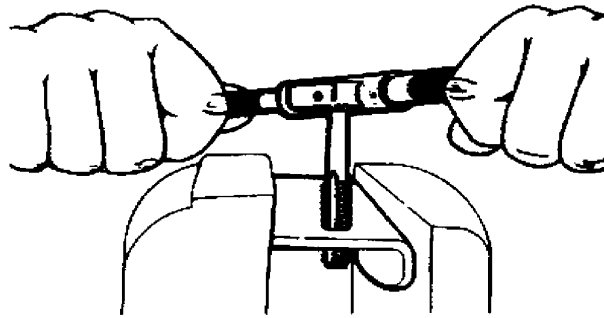
TO-32-1-101-621

- e. Remove tap wrench and, using a square (6), check tap for squareness. Check at least two different positions on the tap.



TO-32-1-101-622

- f. Replace the tap wrench and continue tapping operation. It is not necessary to apply pressure, as the threads will be pulled through at all times.



TO-32-1-101-622

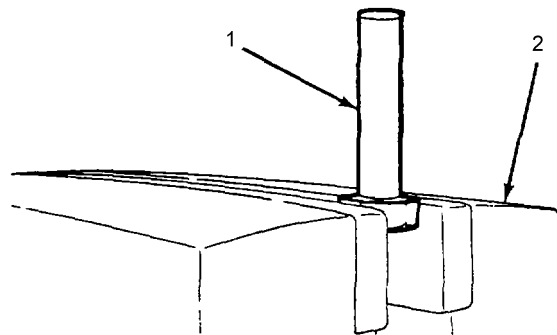
- g. Remove tap by turning in the opposite direction. Wipe excess oil and metal shavings from metal plate. Check newly-cut threads with screw pitch gage before inserting screw or stud.

38.4 USING A DIE AND DIESTOCK.

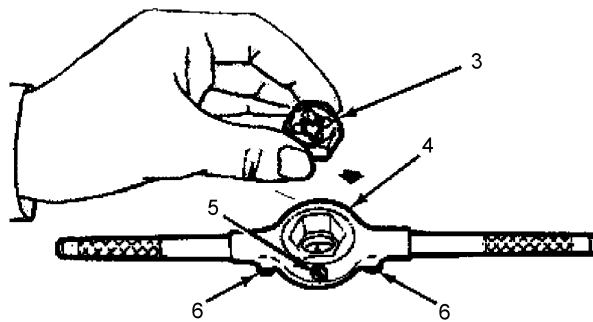
NOTE

Work to be threaded must be clean and free of burrs.

- a. Secure the work (1) firmly in a vise (2).



TO-32-1-101-623

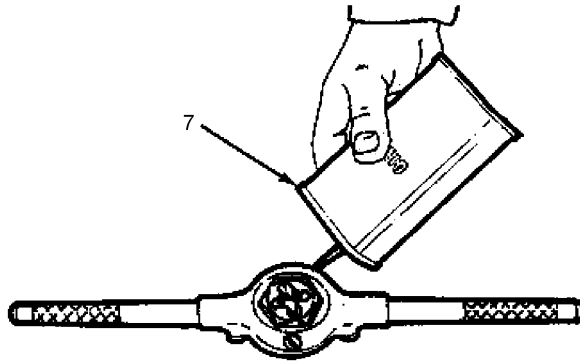


TO-32-1-101-624

CAUTION

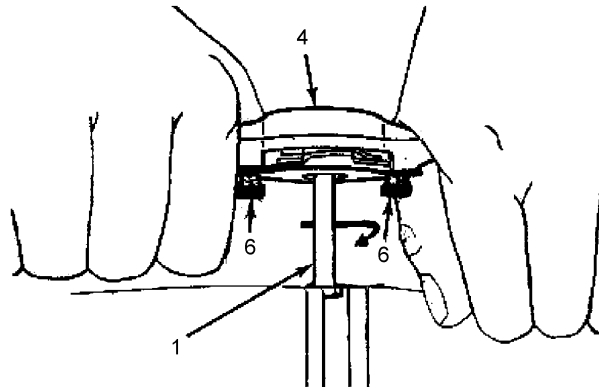
After assembling die to diestock, make sure setscrew is tight. Die could fall out of diestock causing damage to die.

- b. Assemble die (3) and diestock (4). Tighten setscrew (5). Loosen the two thumbscrews (6) to adjust diestock (4).



TO-32-1-101-625

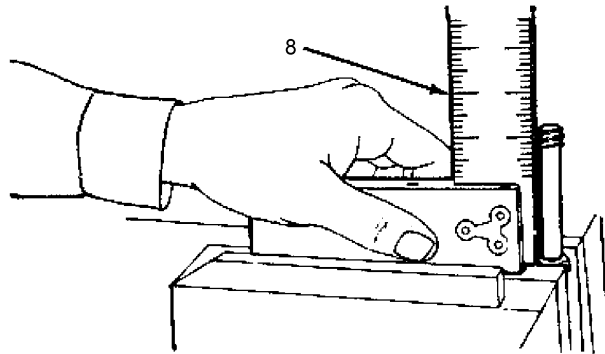
- c. Apply cutting oil (7) to the die and to the work.



TO-32-1-101-626

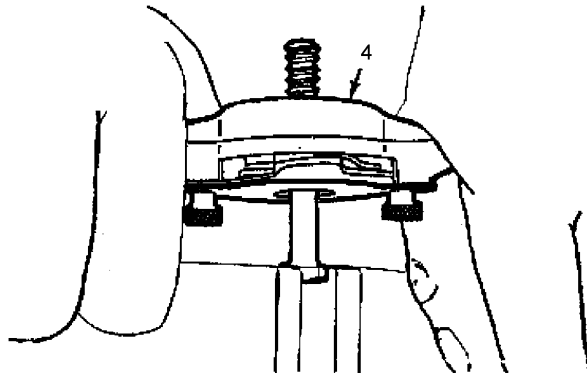
- d. Position the diestock (4) over the work (1).
- e. Tighten thumbscrews (6) securing diestock to work.

f. Rotate the diestock (4) clockwise, slowly but firmly, until the die takes hold.



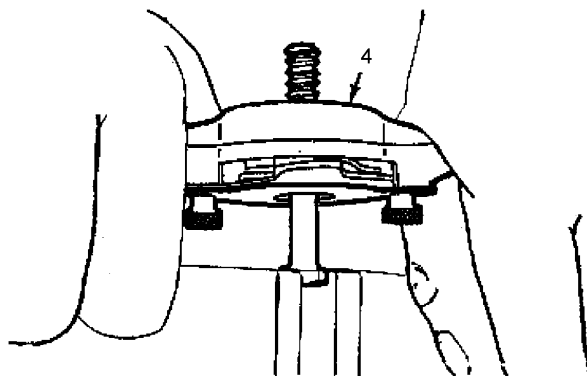
TO-32-1-101-627

g. Use square (8) to check squareness after several threads have been cut.



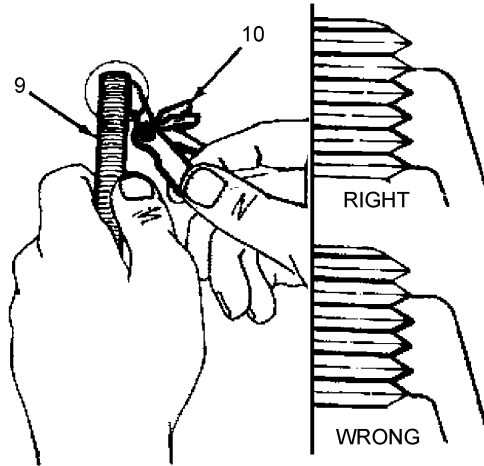
TO-32-1-101-628

h. Turn the diestock (4) one turn forward and one-quarter turn backward. Repeat this procedure until desired thread length has been cut.



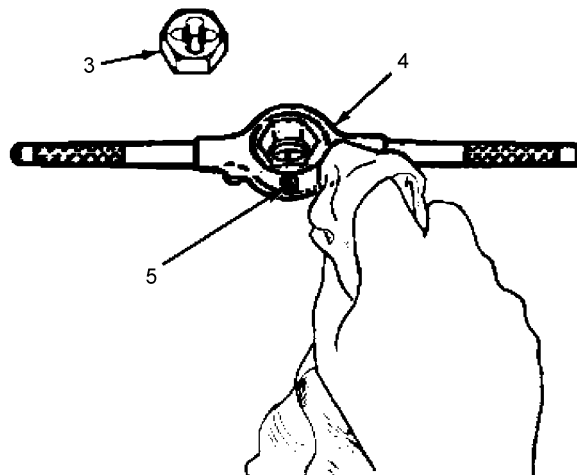
TO-32-1-101-628

- i. Carefully back the diestock (4) off the threads by turning in a counterclockwise direction.



TO-32-1-101-629

- j. Clean threads (9) with a clean rag and check with a screw pitch gage (10) before using.



TO-32-1-101-630

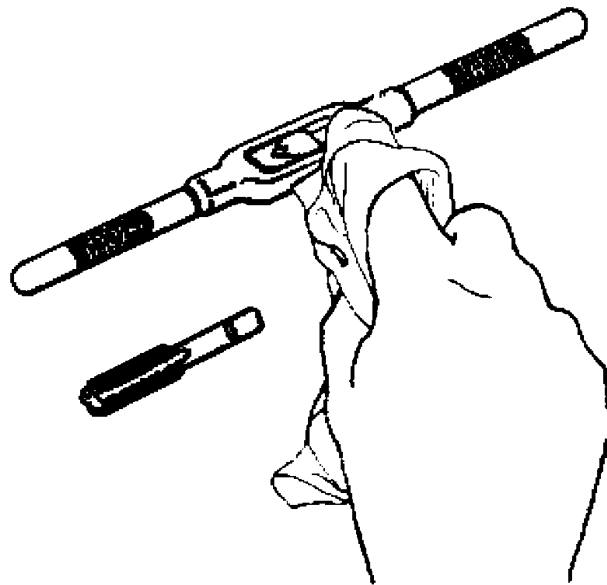
- k. Disassemble die (3) and diestock (4) by loosening setscrew (5). Wipe clean with a rag.

38.5 CARE OF TAPS.

- Do not attempt to sharpen taps.
- Keep cutting edges lightly oiled.
- Wipe excess oil and metal shavings from tap and tap wrench.

AIR FORCE AIR FORCE TO 32-1-101
ARMY ARMY TM 9-243
MARINE CORPS MARINE CORP TM 10209-10/1
NAVY (NAVAIR) NAVY M6290-AJ-MAN-1010

- d. Store them in a case or wrap individually in cloths to protect cutting surfaces.



TO-32-1-101-631

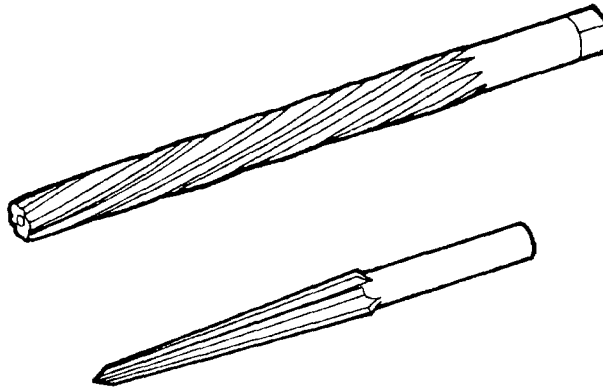
38.6 CARE OF DIES.

- a. Do not attempt to sharpen dies.
- b. Keep cutting surfaces clean and lightly lubricated.
- c. Store in a case or wrap individually in cloths where they will not come in contact with other tools.

CHAPTER 39 REAMERS

39.1 HOW TO CHOOSE AND USE REAMERS.

Types and Uses, Paragraph 39.2, provides you with a list of some of the types of reamers. These pages should help you select the right reamer to do the job. Using, Paragraph 39.3, tells you how to use the reamer to perform the desired function. Care of Reamers, Paragraph 39.4, tells you how to care for the items.

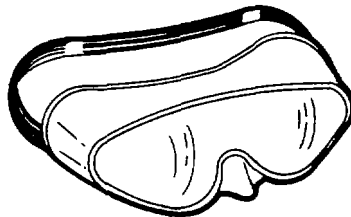


TO-32-1-101-632

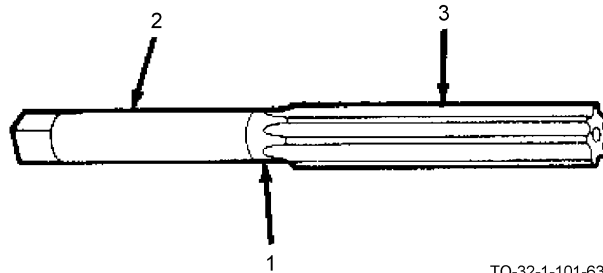
39.2 REAMERS TYPES AND USES.

WARNING

Wear eye protection when using reamers. Failure to comply could result in injury to, or death of, personnel or long term health hazards.



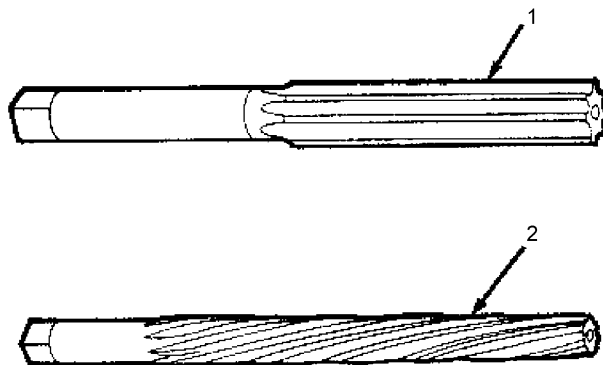
TO-32-1-101-200



TO-32-1-101-633

Reamers are used to enlarge and true a hole. They are also used to remove burrs from the inside diameters of pipes and drilled holes. The reamer consists of three parts, the body (1), the shank (2), and the blades (3). The shank has a square tang to allow the reamer to be held with a wrench for turning.

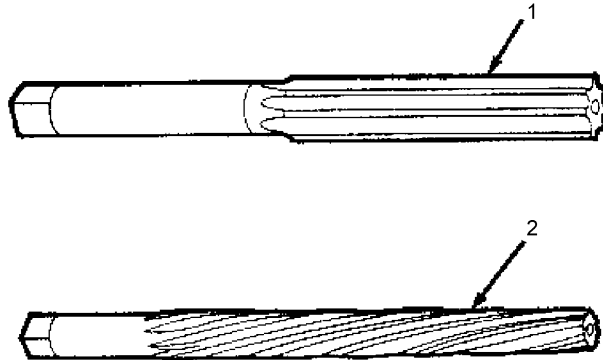
39.2.1 Solid Straight-Hole Reamer.



TO-32-1-101-634

A solid straight-hole reamer is made of one solid piece of high-speed steel having a straight shank and straight (1) or spiral flutes (2). The cutting edges, or lands, between the flutes are usually evenly spaced. Some have irregularly spaced lands to prevent the tool from chattering. They come in sizes from 1/16 inch to include 3 inch diameters. Reamers are also available in sets containing 25 reamers in 1/64 inch increments from 1/8 inch to 1/2 inch. The sets may be mixed to include straight and taper pin reamers. Each reamer size is stamped on the shank of the tool. Solid straight-hole reamers are used for most work since they are the most accurate and the most rugged of the straight-hole reamers.

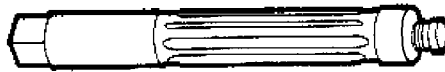
39.2.2 Solid Taper-Pin Reamer.



TO-32-1-101-634

Solid taper-pin reamers are used to finish tapered holes for the insertion of tapered pins or other tapered parts. They are made with a standard taper of 1/4 inch per foot. Solid taper-pin reamers come with straight (1) or spiral flutes (2). Sizes range from 5/0 to 14, with the diameter at the large end ranging from 0.0984 to 1.5412 inches. They also come in sets of 10, sizes 3/0 to 7, and a set of 11, sizes 0 to 10. They are also included in mixed sets of straight and taper-pin reamers.

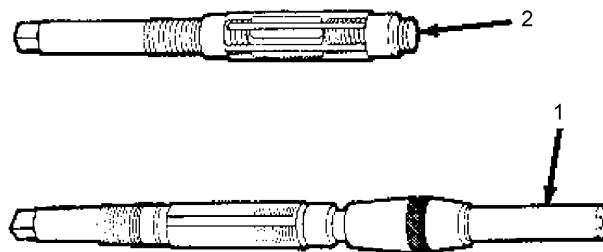
39.2.3 Expansion Reamer.



TO-32-1-101-635

Expansion reamers are adjustable, and their sizes may be changed by 1/8 inch for a 1 inch reamer and 5/16 inch for a 2 inch reamer. The expansion reamer is made of carbon steel and has longitudinal cuts in some of its flutes. It is hollowed out and threaded to receive a tapered screw plug. The diameter of the reamer is changed by screwing in or backing out the screw plug. The standard sizes range from 1/4 inch to 1 inch, by 32nds. A 1/4 inch expansion reamer will enlarge the hole to a 9/32 inch hole, etc. It is used for general purposes and is considered the most practical reamer.

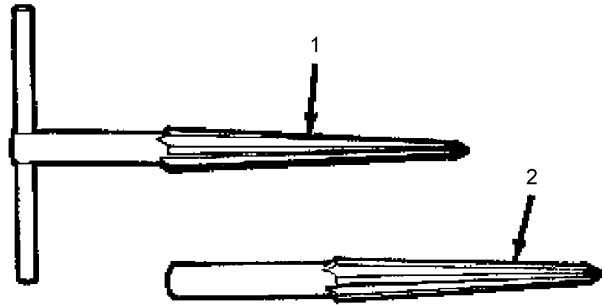
39.2.4 Adjustable-Blade Reamer.



TO-32-1-101-636

The blades of an adjustable reamer are separate from the body and are fitted into grooves in the threaded shank of the tool. Adjusting nuts located below and above the blades control the diameter of the reamer. The reamers come with straight (1) or spiral flutes (2), with or without a floating pilot on solid mandrels, and in several sizes. Adjustable reamers are also available in sets. They are used to enlarge drilled holes to an exact true size using a series of small cuts rather

than one deep cut.

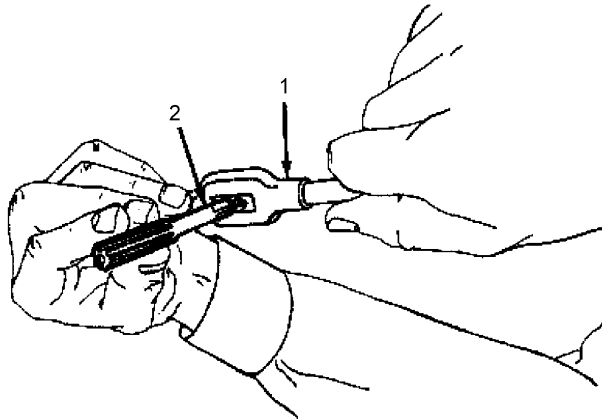


TO-32-1-101-637

Pipe reamers are made of carbon steel. They are tapered with straight or spiral flutes. They come in three sizes, 1/8 inch to 1 inch pipe capacity, 1/4 inch to 1-1/4 inch pipe capacity, and 1/4 inch to 2 inch pipe capacity. Most pipe reamers are designed to receive a T-handle (1). Others (2) have a tapered square shank for use with a brace, or a round shank for use with a hand drill. They are used to remove burrs from the inside diameters of pipe and drilled holes.

39.3 USING A SOLID STRAIGHT-HOLE REAMER.

- a. Secure the work in a vise so that the hole to be reamed is perpendicular to the top of the vise jaws.

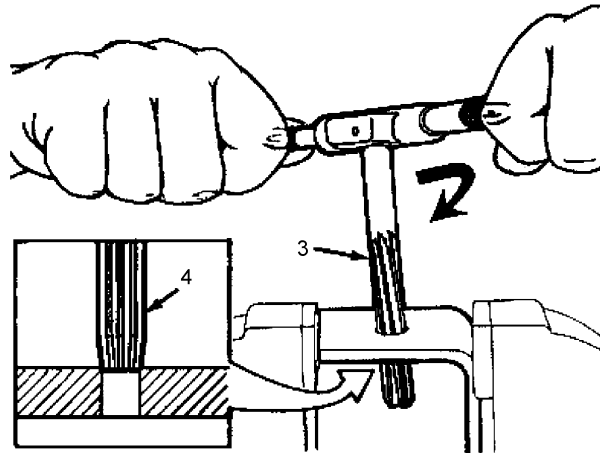


TO-32-1-101-638

- b. Using a tap wrench (1), tighten the handle to the square end of the reamer shank (2).

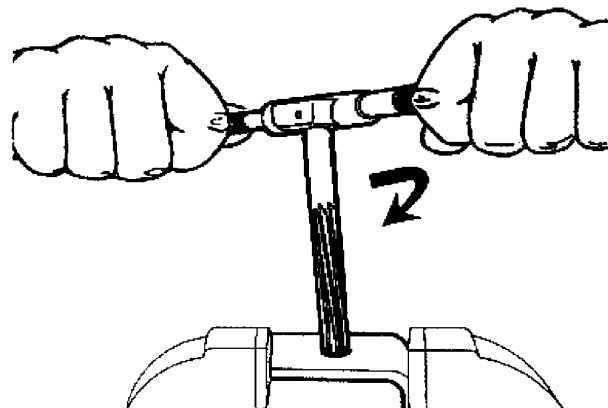


Do not turn the wrench counterclockwise at any time. To do so will cause the reamer to become dull. Failure to comply could result in damage to, or destruction of, equipment or loss of mission effectiveness.



TO-32-1-101-639

- c. Position the reamer (3) at the top of the hole. Turn the wrench clockwise very slowly until the reamer is centered in the hole. Straight-hole reamers (4) have a slight taper at the end so they will fit into the hole easily.
- d. Turn the wrench clockwise with a steady, firm pressure until the reamer has been turned in the hole. When reaming steel, use cutting oil or machine oil to lubricate the tool. When reaming soft iron, do not lubricate the tool. Turning the wrench too fast or too slowly will cause the reamer to chatter, producing an unevenly reamed hole.
- e. Remove the reamer from the hole by turning the wrench clockwise and raising the reamer at the same time.



TO-32-1-101-640

39.4 CARE OF REAMERS.

- a. Keep reamers absolutely clean to do accurate work.
- b. Do not use the reamer to remove more than 0.002 to 0.003 inches of metal. If the hole is too small, enlarge it with a drill before reaming it.

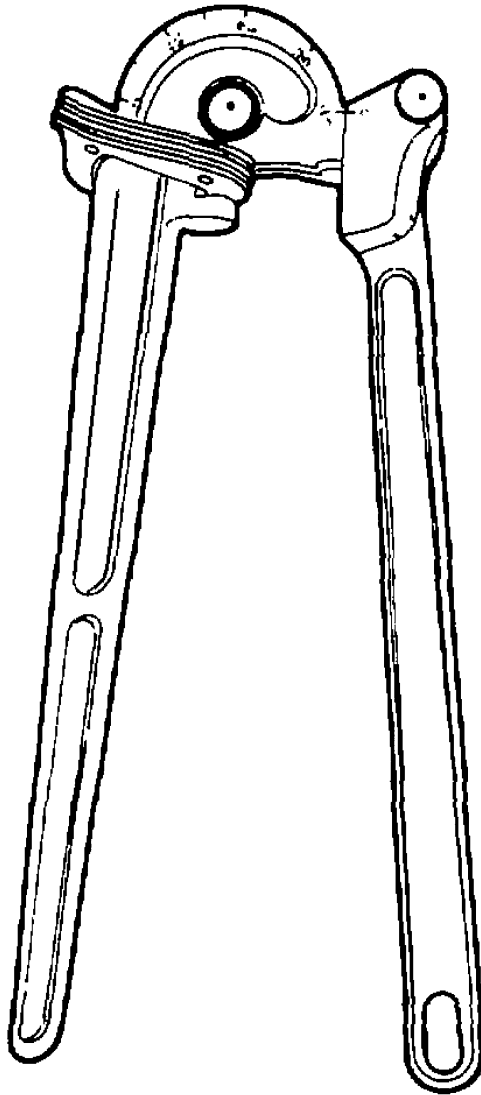
AIR FORCE AIR FORCE TO 32-1-101
ARMY ARMY TM 9-243
MARINE CORPS MARINE CORP TM 10209-10/1
NAVY (NAVAIR) NAVY M6290-AJ-MAN-1010

- c. If the proper pressure is applied in use and the reamer chatters, replace it to insure accurate work.
- d. If the reamer edges are only slightly dulled, honing the edges on an oilstone may restore the sharpness. On an adjustable reamer, the blades may be replaced.
- e. To prevent chipping or dulling the reamer when you are reaming a hole, turn the reamer in the cutting direction only.
- f. To prevent damage to reamers for long and short term storage, ensure reamers are cleaned of all debris and individually separated where they will not come in contact with each other, or other tools. If at all possible, store the reamers in their original shipping containers.

CHAPTER 40 BENDERS

40.1 HOW TO CHOOSE AND USE BENDERS.

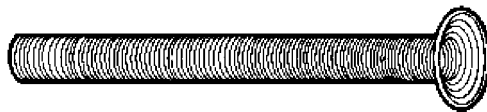
Types and Uses, Paragraph 40.2, provides you with a list of some of the types of benders. These pages should help you select the right bender to do the job. Using, Paragraph 40.3, tells you how to use the bender to perform the desired function. Care of Benders, Paragraph 40.5, tells you how to care of the items.



TO-32-1-101-641

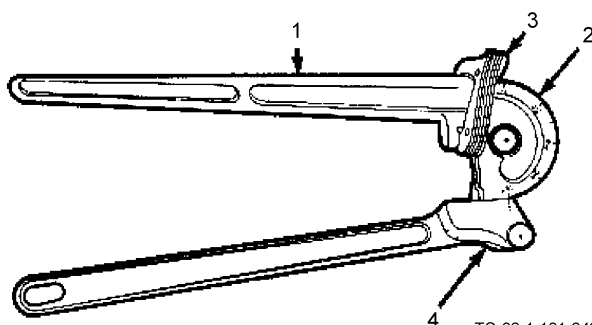
40.2 BENDERS TYPES AND USES.

40.2.1 Spring Tube Benders.



TO-32-1-101-642

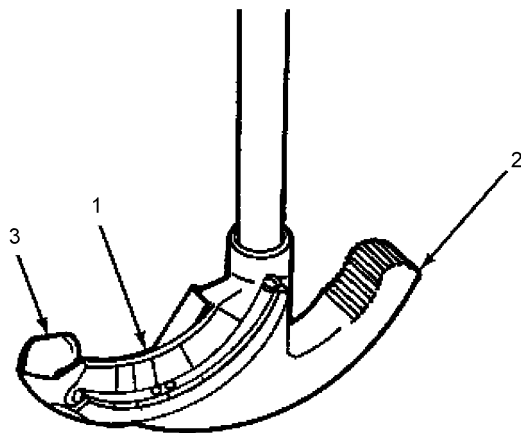
There are two types of spring tube benders, external and internal. The spring tube bender permits the bending of small diameter tubing by hand without collapsing the tubing. External benders are used to bend straight sections of tubing which have at least one end which has not been flared. They are available in 1/4, 5/16, 3/8, 7/16, 1/2, and 5/8 inch diameters. Internal benders are used for bending straight sections of tubing which have both ends flared. They are available in 3/8, 1/2, and 5/8 inch outside diameters.



TO-32-1-101-643

The hand tube bender consists of the following components: a handle (1), a radius block (mandrel) (2), a clip (3), and a slide bar (4). The radius block is graduated from 0 to 180 degrees, and the slide bar has a scribe mark which indicates the degree of bend. These benders are available in 3/16, 1/4, 5/16, 3/8, and 1/2 inch sizes. The hand tube bender is used to bend copper, brass, or aluminum tubing to specific angles.

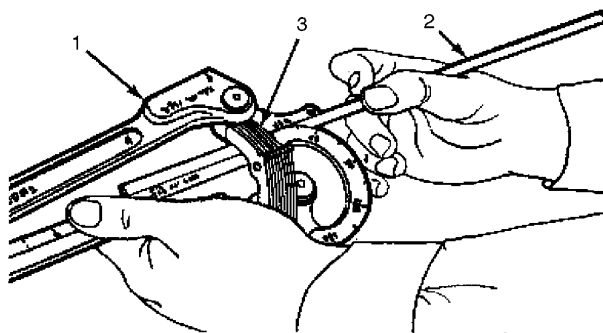
40.2.2 Electrical Conduit Hand Bender.



TO-32-1-101-644

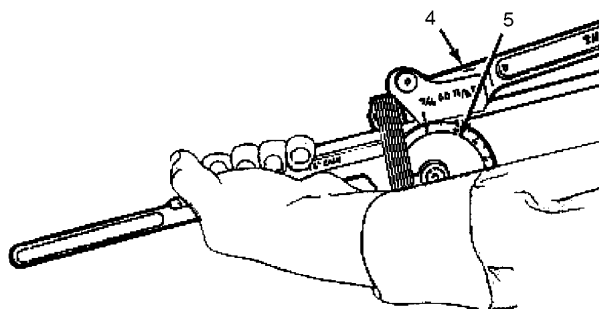
The electrical conduit hand bender has precise grooves to insure a smooth bend. It has a concave base (1), a foot rest (2), and a retaining hook (3) to keep conduit from slipping as it is being bent. The bender has a threaded opening for attaching a threaded piece of pipe to be used as a handle. Electrical conduit hand benders are available in 1/2, 3/4, 1, 1-1/4, 1-1/2, and 2 inches in diameter. They are used to bend thin wall and rigid conduit to allow for flat installation on inside building walls.

40.3 USING A TUBING BENDER.



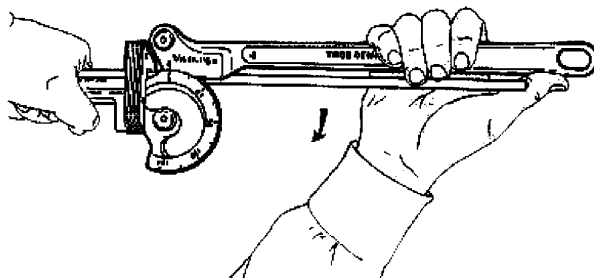
TO-32-1-101-645

- a. Raise slide bar (1) and insert tubing (2) to be bent.
- b. Raise locking clip (3) and lock tubing in place.



TO-32-1-101-646

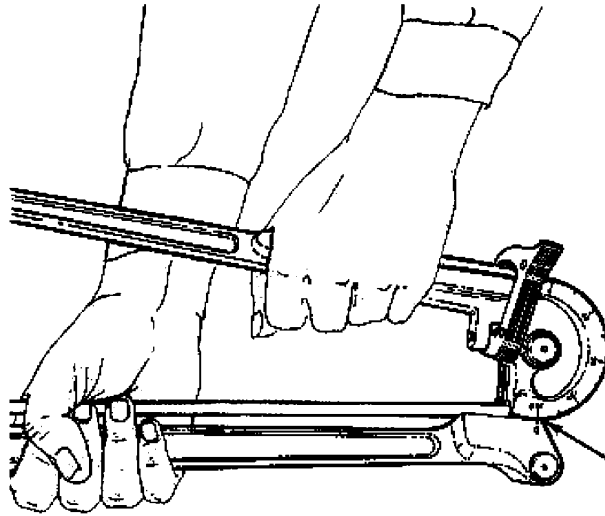
- c. Lower slide bar. The zero mark (4) on the slide bar should match up with the zero mark on the block (5).



TO-32-1-101-647

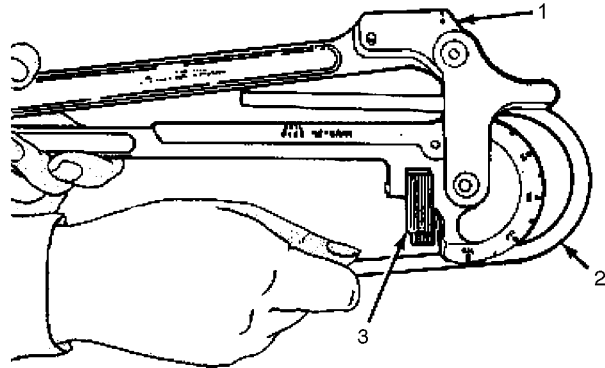
AIR FORCE AIR FORCE TO 32-1-101
ARMY ARMY TM 9-243
MARINE CORPS MARINE CORP TM 10209-10/1
NAVY (NAVAIR) NAVY M6290-AJ-MAN-1010

d. Apply downward pressure on the slide bar.



TO-32-1-101-648

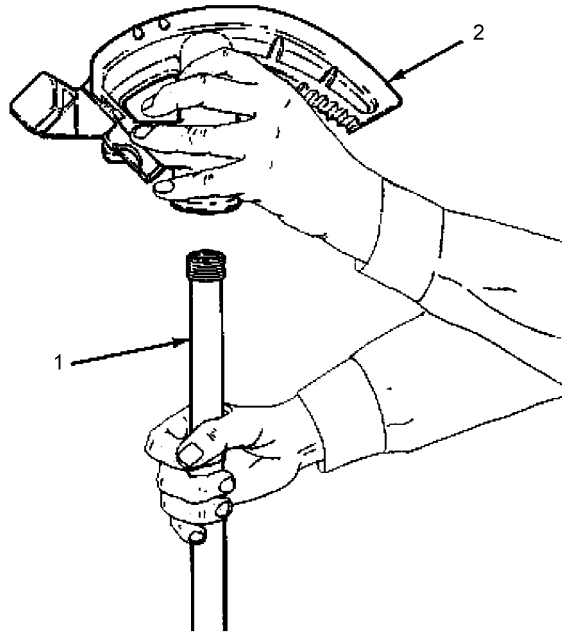
e. Stop bending the tubing when the zero mark on the slide bar matches the desired angle (6) on the block.



TO-32-1-101-649

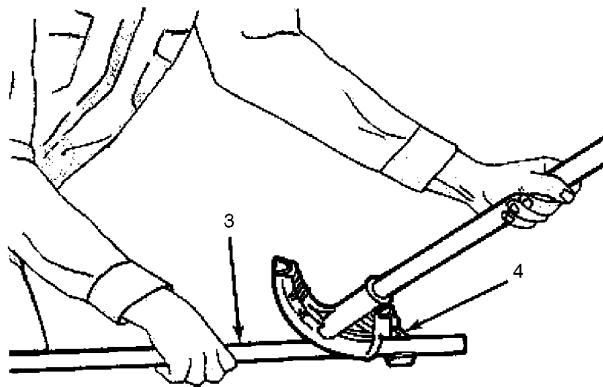
f. Raise the slide bar (1), lift up the locking clip (3), and remove the bent tube (2).

40.4 USING AN ELECTRICAL CONDUIT HAND BENDER.



TO-32-1-101-650

- a. Install handle (1) on bender (2). A section of threaded pipe may be used as a handle.

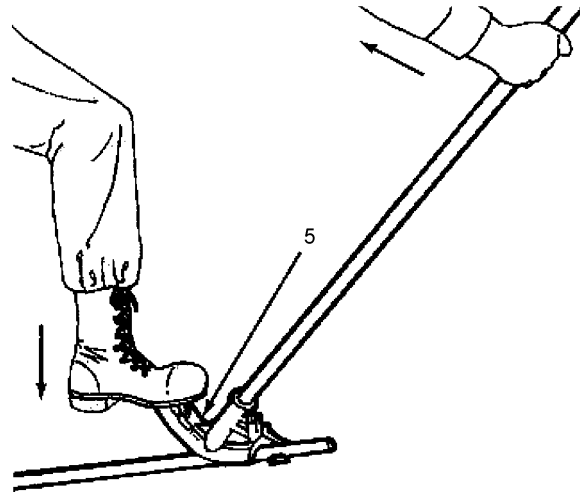


TO-32-1-101-651

- b. Tip the bender forward and slide the section of conduit (3) to be bent through the retaining hook (4).
- c. Place mark where bend is to start opposite the arrow on the front end of the bender.

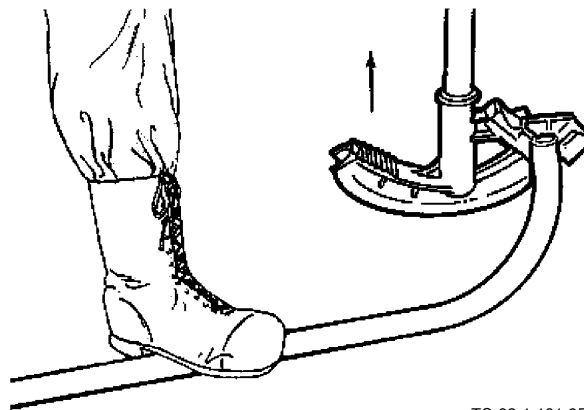


Do not jerk the handle, as this will create internal cracks and ridges inside the conduit which will cut the wires. Failure to comply could result in damage to, or destruction of, equipment or loss of mission effectiveness.



TO-32-1-101-652

- d. Place one foot on the foot rest (5) and push down with your foot while pulling back on the handle. Apply steady pressure throughout the entire bending process.



TO-32-1-101-653

- e. When desired bend has been obtained, release the pressure on the conduit by returning the handle to an upright position and slide the conduit out of the bender.

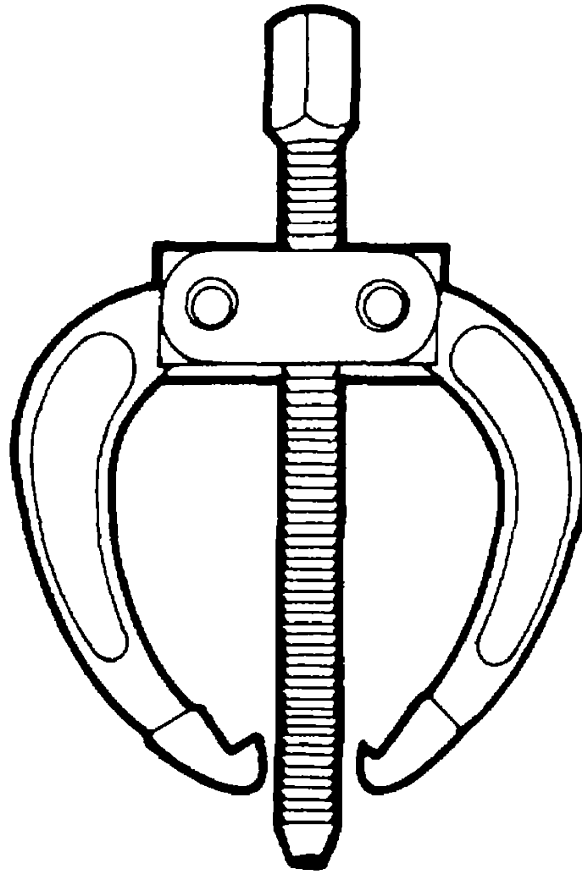
40.5 CARE OF BENDERS.

- a. Clean all grease and oil from gripping surfaces with a rag.
- b. Apply a light coat of oil to non-gripping surfaces.
- c. Store in a safe, dry place.

CHAPTER 41 PULLERS

41.1 HOW TO CHOOSE AND USE PULLERS.

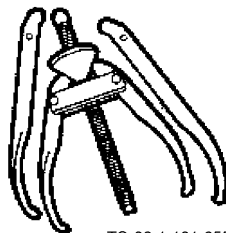
Types and Uses, Paragraph 41.2, provides you with a list of some of the types of pullers. These pages should help you select the right puller to do the job. Using, Paragraph 41.3, tells you how to use the puller to perform the desired function. Care of Pullers, Paragraph 41.5 tells you how to care for the items.



TO-32-1-101-654

41.2 PULLERS TYPES AND USES.

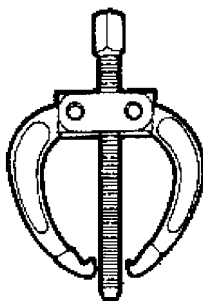
41.2.1 Universal Gear Puller.



TO-32-1-101-655

The universal gear puller is usually of yoke and screw construction with two jaws. The jaws have a capacity from 0 to 14 inches in diameter. The universal gear puller is used for pulling gears, pulleys, and wheels.

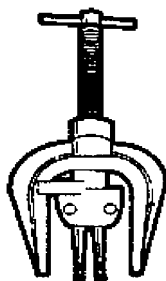
41.2.2 Gear and Bearing Puller.



TO-32-1-101-656

The gear and bearing puller is used to pull gears, bearings, pinions, sheaves, pulleys, and wheels. It is a screw-type puller with two jaws. The grip tightens as pull is increased. The gear and bearing puller has a maximum spread of 5-1/2 inches.

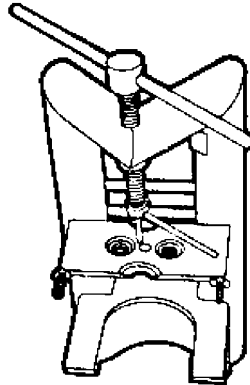
41.2.3 Universal Bearing and Bushing Puller.



TO-32-1-101-657

The universal bearing and bushing puller has interchangeable jaws. It provides a pulling capacity of up to 1-1/4 inches. The larger jaws are used for removing bronze or oilite bushings without crumbling them. The smaller jaws are used to pull clutch pilot bearings.

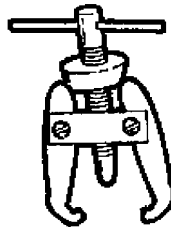
41.2.4 Electrical Unit Bearing Puller.



TO-32-1-101-658

The electrical unit bearing puller is used to pull bearings from shafts of electrical units. It is supplied with plates to fit a variety of unit constructions and to fit behind the particular shaft bearings to be pulled.

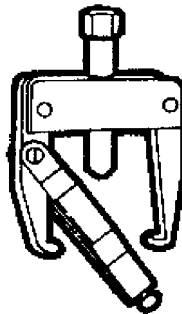
41.2.5 Battery Terminal and Small Gear Puller.



TO-32-1-101-659

The battery terminal and small gear puller is a screw-type puller for use in close quarters. In addition to pulling battery terminals, it is used to pull small gears and bearings.

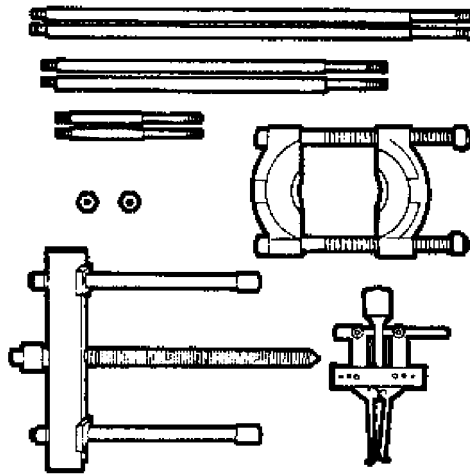
41.2.6 Steering Gear Arm Puller.



TO-32-1-101-660

The steering gear arm puller is used for pulling steering gear arms. It also can be used for a wide variety of other pulling jobs. The clamp locks the puller on the arm, leaving both hands free for pulling.

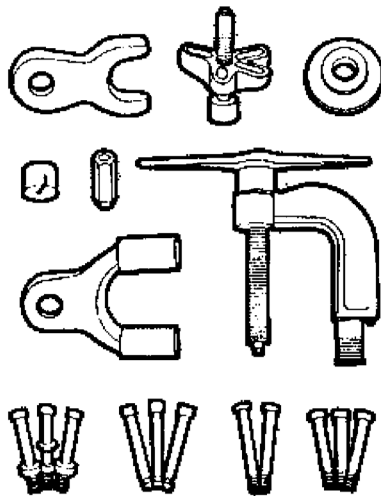
41.2.7 Push and Pull Puller Set.



TO-32-1-101-661

The push and pull puller set is used in conjunction with a variety of attachments and adapters. The push and pull puller consists of a 13-1/2 inch steel bar which is slotted to receive two 9-1/2 inch legs. A pressure screw in the center of the bar is 13 inches long. It has a diameter of one inch, and it is threaded. This puller is universal and versatile. With the use of the bearing pulling attachment, bearing cup pulling attachment, sheave puller attachment, threaded adapters, step plate adapters, additional legs, and many other special adapters, this puller is capable of removing or replacing bearings, gears, pinion, pulleys, wheels, and bushings. The push and pull puller set has many other uses.

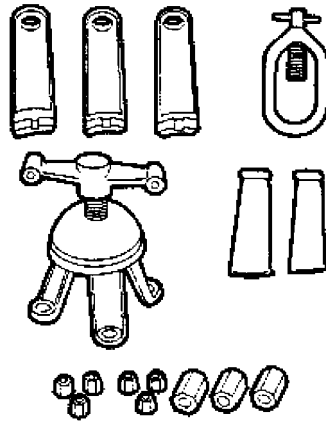
41.2.8 Steering Wheel Puller Set.



TO-32-1-101-662

The steering wheel puller consists of all the units necessary for removal of steering wheels from early models of cars and trucks up to the present models.

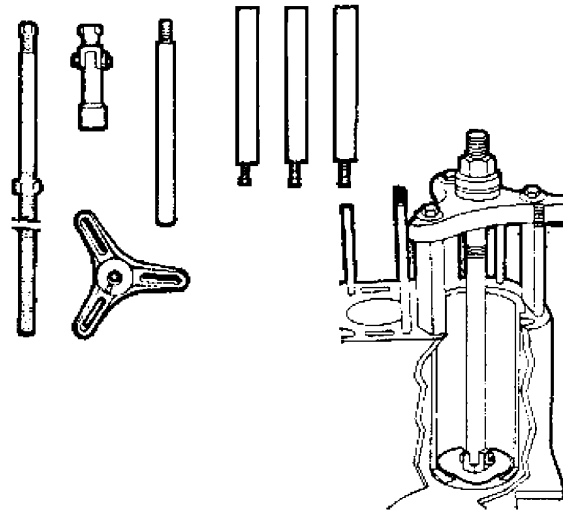
41.2.9 Wheel Puller Set.



TO-32-1-101-663

The universal wheel puller set consists of a body and drive assembly that receives three long jaws, three short jaws, or a special grooved hub set. The interchangeable jaws pivot and swing to any desired bolt circle. Tapered, right and left hand threaded stud nuts complete the set all of which are carried in a metal case. The wheel puller set is capable of pulling any demountable wheel hub for any passenger car, and most lightweight trucks.

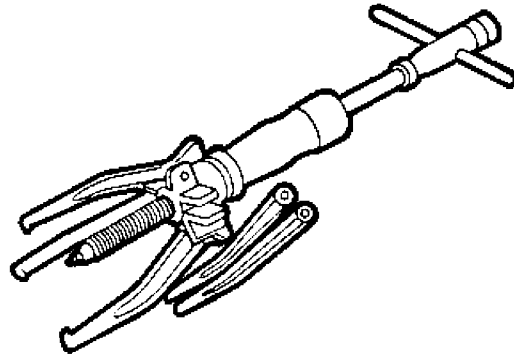
41.2.10 Cylinder Sleeve Puller.



TO-32-1-101-664

The universal cylinder sleeve is used to pull cylinder sleeves from engine blocks. It is adjustable to provide clearance regardless of the position of the cylinder studs and to simplify centering the tool over the bore. This puller is used in conjunction with four adapter plates supplied with the puller. The combination is capable of pulling cylinder sleeves 4-1/4, 4-1/2, 4-3/4, and 5-3/4 inches in diameter.

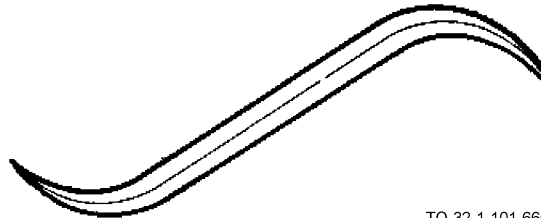
41.2.11 Slide Hammer Puller.



TO-32-1-101-665

The slide hammer puller set is a universal-type puller equipped with a two and three-way yoke, three medium jaws for outside pulls and two jaws for inside pulling. The small jaws can be inserted through a 1/2 inch opening. The capacity of the medium jaws is 6-1/4 inches. The slide hammer puller is also equipped with a locking feature which holds the jaws open or locks them on the work.

41.2.12 Cotter Pin Puller.



TO-32-1-101-666

A cotter pin puller is an S-shaped tool used to install or to remove cotter pins. One end is used to insert through the cotter pins for extracting. The other end is used for spreading the cotter pin. The shank is beveled square for easy handling and for a firm grip. This type is seven inches long.

41.3 USING A GEAR AND BEARING PULLER.



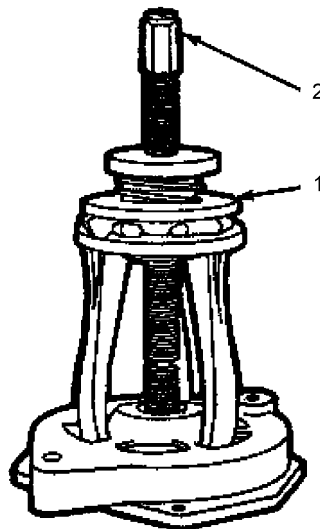
When pulling a sheave or bearing from a shaft with an internally threaded hole, ensure that the tip does not enter threaded portion of shaft. This can be done by using proper adapter.

- a. Check all gripping edges end threads of a puller for damage before using it.
- b. Place the puller (1) firmly in position and secure it.
- c. Use the proper size wrench for turning the pressure screw or nut (2) to avoid rounding the corners of the nut or of the screw head.

WARNING

Turn the pressure screw or nut slowly to prevent injury as the gear bearing is released. Failure to comply could result in injury to, or death of, personnel or long term health hazards.

- d. Turn the pressure screw or nut slowly in a clockwise direction until the gear bearing is removed.



TO-32-1-101-667

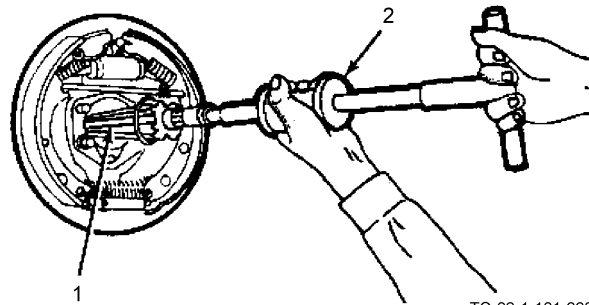
41.4 USING A SLIDE HAMMER PULLER SET.

- a. Check to make sure that you have all parts before starting the process. Make sure the threads are clean and will move freely.
- b. Lock the jaws (1) on the gear with the locking feature and slide the hammer handle (2) up the shaft in the direction of the pull.

WARNING

Do not slide the handle too rapidly, the gear may fly off and cause injury. Failure to comply could result in injury to, or death of, personnel or long term health hazards.

- c. Slide the handle in a series of slides until the gear is loose or comes off.



TO-32-1-101-668

41.5 CARE OF PULLERS.

- a. Keep pullers clean at all times.
- b. Do not grease or oil the gripping edges. This will cause the tool to slip.
- c. Clean all the tools after use and store so the threads will not become damaged.
- d. Make certain that attachments and adapters are stored with the basic puller and that they do not become separated.
- e. Oil pullers after use and wipe clean before using again.
- f. When storing for long periods, apply a coat of rust preventive compound on the tools and store them in a dry place.

CHAPTER 42 BARS

42.1 HOW TO CHOOSE AND USE BARS.

Types and Uses, Paragraph 42.2, provides you with a list of some of the types of bars. These pages should help you select the right bar to do the job. Using the Combination Bar, Paragraph 42.4 tells you how to use the bar to perform the desired function. Care of Bars, Paragraph 42.5, tells you how to care for the item.



TO-32-1-101-669

42.2 BARS TYPES AND USES.

Bars are steel tools used to lift and move heavy objects and to pry where leverage is needed. They can also be used to remove nails and spikes, and to loosen hard soil for digging. The most commonly used types of bars are the wrecking bar, crowbar, pinch bar, and combination pry bar. These bars range from 12 inches to 72 inches in length, depending upon their design and the purpose for which they are used.



TO-32-1-101-670

42.2.1 Wrecking Bar.



TO-32-1-101-671

The wrecking bar is used to pull large nails or spikes, to open heavy crates, and to do wrecking work.

42.2.2 Crowbar.



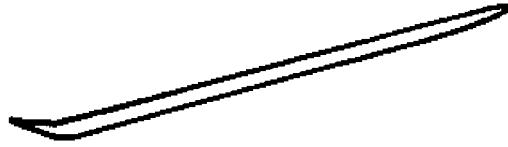
TO-32-1-101-672

The crowbar is used for heavy prying and for moving heavy timbers and other large objects short distances. It can also be used for loosening rock formations, as a lever for moving rails, and for breaking up hard earth when digging. In moving heavy objects or prying, it should be used in a position where the weight of the user's body is exerted downward on the

**AIR FORCE AIR FORCE TO 32-1-101
ARMY ARMY TM 9-243
MARINE CORPS MARINE CORP TM 10209-10/1
NAVY (NAVAIR) NAVY M6290-AJ-MAN-1010**

long section of the lever. When possible use a block or other object as a fulcrum behind the bar, near the spot where the bar's point is wedged under the object to be moved.

42.2.3 Pinch Bar.



TO-32-1-101-673

The pinch bar is used for light ripping and prying jobs.

42.2.4 Combination Bar.



TO-32-1-101-670

The combination pry bar is an all-purpose combination pry and scrape bar for rugged heavy-duty service. It is used to pry, pull, cut, scrape, lift, and pound nails. The slim tapered blades are easily inserted for prying and lifting. It also has beveled nail slots.

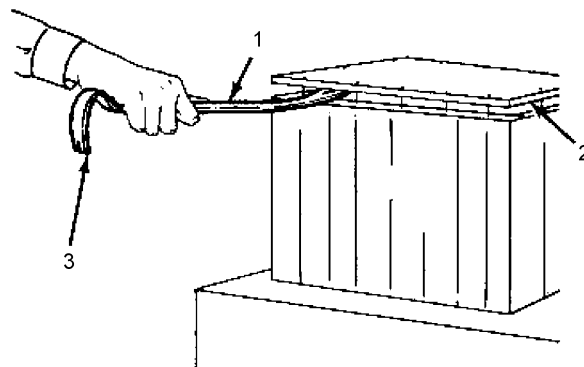
42.3 BAR SAFETY.

- a. Wrecking bars are exceptionally heavy, and care must be taken to keep them from falling and striking someone.
- b. When using bars for prying, make sure the bar does not slip and cause personal injury.
- c. Do not use bars for extra heavy work, since they will bend and may cause injury.

42.4 USING THE COMBINATION BAR.

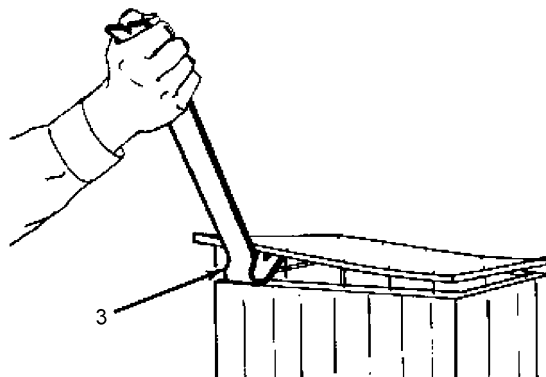
WARNING

Use care in using the combination bar to avoid slippage and personal injury.



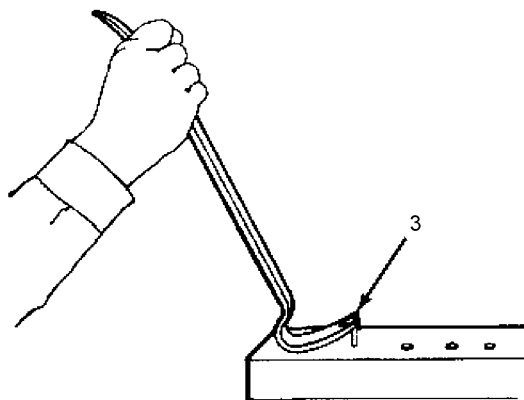
TO-32-1-101-674

- a. Insert the long tapered blade (1) between boards (2) to be removed or ripped. Then exert leverage on the short hooked blade (3) of the bar to pry the boards loose.

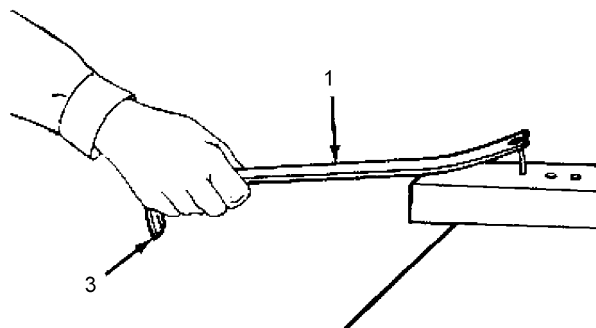


TO-32-1-101-675

- b. Insert the short hooked blade (3) between the boards if greater leverage is required.



TO-32-1-101-676



TO-32-1-101-677

AIR FORCE AIR FORCE TO 32-1-101
ARMY ARMY TM 9-243
MARINE CORPS MARINE CORP TM 10209-10/1
NAVY (NAVAIR) NAVY M6290-AJ-MAN-1010

- c. To remove nails, use the short hooked blade (3) nail slot to remove a nail that is almost completely driven home. Pull the nail approximately half-way out. Then switch to the long tapered blade (1) nail slot to completely remove the nail.

42.5 CARE OF BARS.



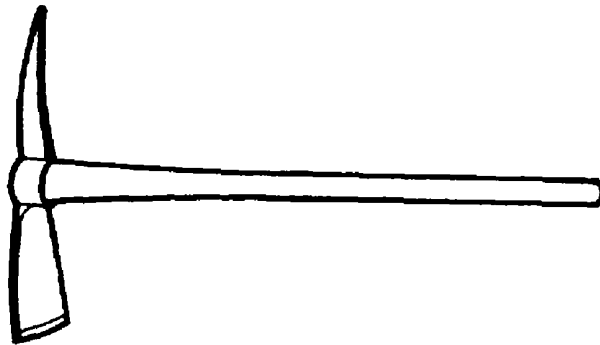
When grinding, take care to cool the end being ground by dipping it in water frequently, so tempering is not lost. Failure to comply could result in damage to, or destruction of, equipment or loss of mission effectiveness.

- a. Bars require little maintenance. They should be thoroughly cleaned after use when they accumulate dirt and grease.
- b. They should be covered with light oil before storing in a dry place.
- c. The ends of the bars should be kept in shape by filing or grinding to their original shape, because a dull chisel end or claw end makes using the bar more difficult.

CHAPTER 43 MATTOCKS

43.1 HOW TO CHOOSE AND USE MATTOCKS.

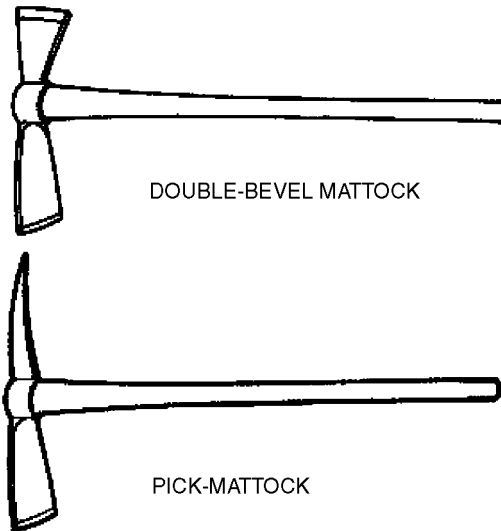
Types and Uses, Paragraph 43.2, provides you with a list of some of the types of mattocks. These pages should help you select the right mattock to do the job. Using the Mattock, Paragraph 43.4, tells you how to use the mattock to perform the desired function. Care of Mattocks, Paragraph 43.5, tells you how to care for the item.



TO-32-1-101-678

43.2 MATTOCKS TYPES AND USES.

43.2.1 Single-Bevel and Double-Bevel. The mattock is designed for digging and cutting operations. The mattock can have a single or double-beveled head. However, the single beveled mattock can be combined with other digging tools to perform a variety of functions. For example, the “pick-mattock” is a combination of the single-beveled mattock and pick.



TO-32-1-101-679

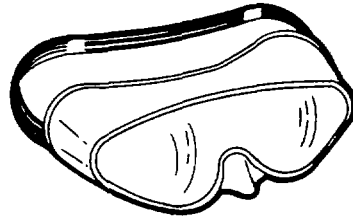
43.3 MATTOCKS SAFETY.

- a. When using a mattock, it is important to have a firm footing and correct posture to prevent the mattock from glancing and striking the feet or legs if the mark is missed.
- b. Do not swing a mattock until you are sure that no one will be endangered by the swing, a possible. loose head, or glancing of the tool.

43.4 USING THE MATTOCK.

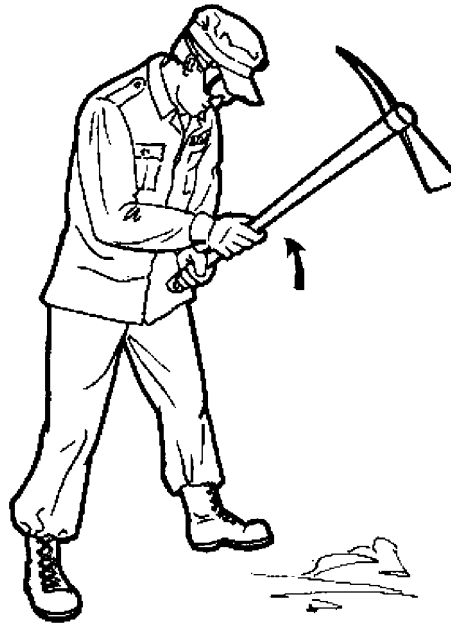
WARNING

Wear eye protection. Failure to comply could result in injury to, or death of, personnel or long term health hazards.



TO-32-1-101-200

- a. Distribute body weight equally on both feet. The knees should be set but not tense. The feet should be spread apart at a comfortable distance. The body should be relaxed and free to swing and bend from the hips.



TO-32-1-101-680

- b. When practicing using the mattock, swing with either the right or the left hand leading. When your position becomes tiring, reverse your hands on the handle of the mattock.

- c. With the right hand leading, the left foot should be brought slightly toward the work. To start the swing, hold the handle at the end with the left hand and near the center with the right hand. Raise the mattock over the right shoulder. Swing the mattock down toward the work, allowing the right hand to slide back along the handle toward the left hand so that at the finish of the swing, the hands are close together.
- d. With the left hand in the center of the handle, the mattock is swung in the same manner, except that the positions are reversed.
- e. Light swings are accomplished with wrist motion only, allowing the head of the mattock to do the work.



Slight prying may be done with the mattock. However, this must be done cautiously to prevent breaking the wood handle. Failure to comply could result in damage to, or destruction of, equipment or loss of mission effectiveness.

- f. Use the wrists, forearms, and shoulders for heavy swings.

43.5 CARE OF MATTOCKS.

- a. Clean the mattock thoroughly after use and before short or long-term storage.
- b. Store the mattock so that the head will not be struck against metal or other hard surfaces. The mattock should be placed on its head against a wall or hung on a rack for storage. Coat the head with oil.
- c. For long-term storage, coat the head with a rust-preventive compound and store in a dry place in a rack or box with the cutting edges protected.

WARNING

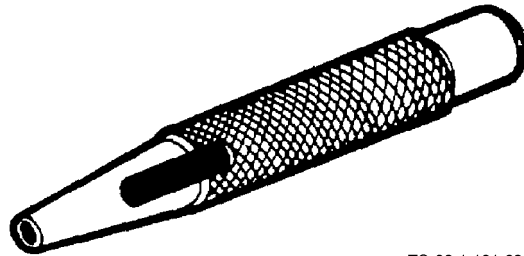
Linseed oil is a flammable liquid. To avoid personal injury, properly dispose of all cleaning rags in noncombustible containers.

- d. The raw wood handles of mattocks should be rubbed thoroughly (preferably prior to use) with a cloth soaked in boiled linseed oil. This will prevent drying, checking, and moisture penetration. Failure to comply could result in injury to, or death of, personnel or long term health hazards.

CHAPTER 44 GASKET CUTTERS

44.1 HOW TO CHOOSE AND USE GASKET CUTTERS.

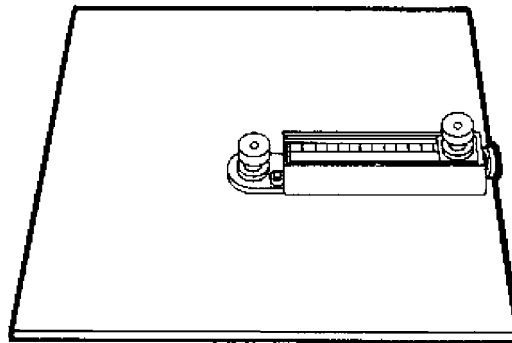
Types and Uses, Paragraph 44.2, provides you with a list of some of the types of gasket cutters. These pages should help you select the right cutter to do the job. Using the Gasket Cutter, Paragraph 44.3, tells you how to use the gasket cutter to perform the desired function. Care of Gasket Cutters, Paragraph 44.4, tells you how to care for the item.



TO-32-1-101-682

44.2 GASKET CUTTERS TYPES AND USES.

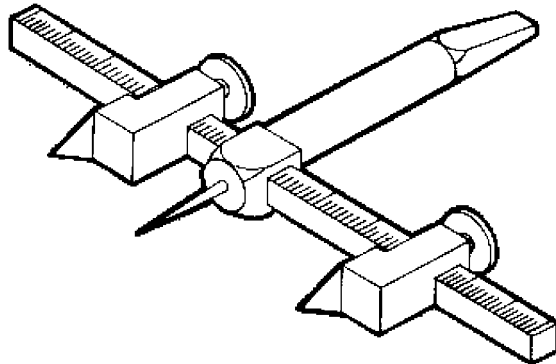
44.2.1 Circle Gasket Cutter.



TO-32-1-101-683

The compass-style circle gasket cutter cuts gaskets from 4 inch diameters through 20 inch diameters. It cuts leather, paper, plastic, rubber, sheet lead, or thin wood. It has an aluminum frame with a graduated scale, steel pivot pin, and tempered tool steel knives. It requires a knurled thumb screw adjustment to change diameters.

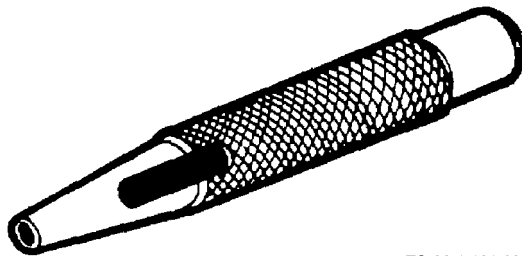
44.2.2 Bit Brace Circle Gasket Cutter.



TO-32-1-101-684

The bit brace circle gasket cutter adjusts from 1 to 5-1/2 inches in diameter. It cuts metal, plastic, wood, hardwood and other materials. It has a tapered square shank to fit a bit brace. It comes with a 3/16 inch tool steel bit, 1/4 inch pilot drill, and a hexagon wrench for easy adjustment.

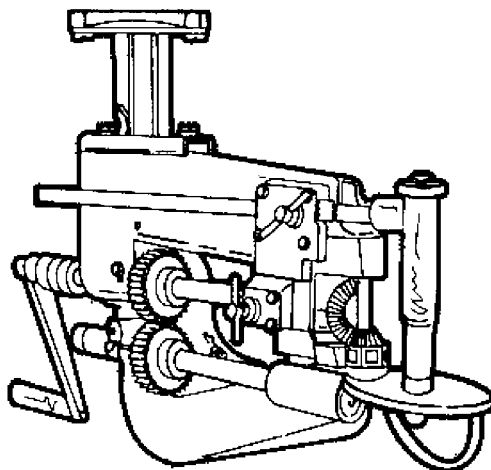
44.2.3 Hollow Gasket Cutter.



TO-32-1-101-682

The hollow gasket cutter is also known as a hollow punch. It is extremely serviceable for cutting soft materials. It comes in a set with a mandrel. The sizes are 1/4, 5/16, 3/8, 7/16, 1/2, 9/16, and 5/8 inch. The set will withstand unlimited use if a hardwood block is used under the gasket material when cutting gaskets. They are not designed for cutting metal or cutting against a hard surface. Other individual hollow gasket cutters are also available.

44.2.4 Heavy Duty Bench Mount Gasket Cutter.



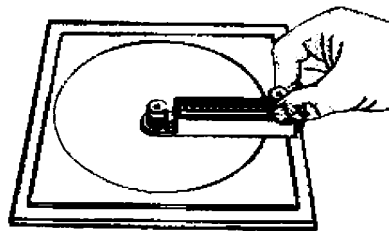
TO-32-1-101-685

The bench mount gasket cutter is used for heavy duty jobs requiring gaskets cut from the heaviest of materials.

44.3 USING THE GASKET CUTTER.

Below are examples of how several of the gasket cutters in this chapter can be used.

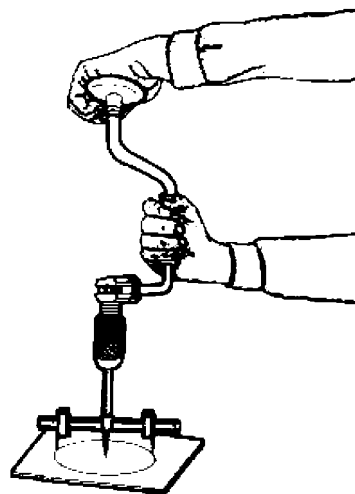
44.3.1 Using a Circle Gasket Cutter.



TO-32-1-101-686

Cutting circular gasket compass-style.

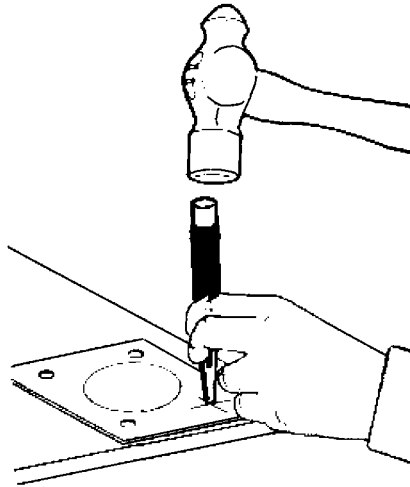
44.3.2 Using a Bit Brace Circle Gasket Cutter.



TO-32-1-101-687

Cutting smaller circular gasket with a bit brace.

44.3.3 Using a Hollow Gasket Cutter.



TO-32-1-101-688

Cutting small holes in gasket with a hollow punch.

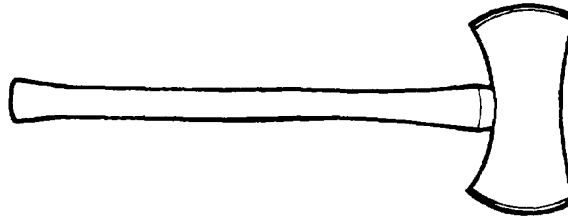
44.4 CARE OF GASKET CUTTERS.

- a. After using a gasket cutter, wipe it clean and apply a thin film of oil to prevent rusting.
- b. Carefully place the gasket cutter on a shelf, rack or other suitable place to avoid damaging its cutting edges.
- c. For long-term storage, coat the gasket cutter with rust preventive compound. Protect the cutting edges and store carefully in a dry place.

CHAPTER 45 CHOPPING TOOLS

45.1 HOW TO CHOOSE AND USE CHOPPING TOOLS.

Types and Uses, Paragraph 45.2, provides you with a list of some of the types of chopping tools. These pages should help you select the right chopping tool to do the job. Using, Paragraph 45.4, tells you how to use chopping tools to perform the desired function. Care of Chopping Tools, Paragraph 45.7, tells you how to care for the item.

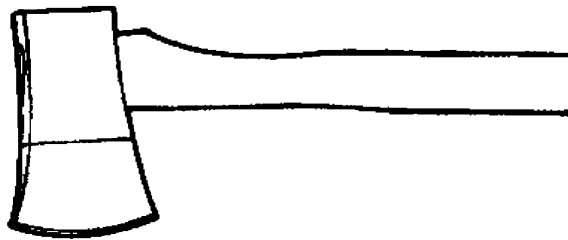


TO-32-1-101-689

45.2 CHOPPING TOOLS TYPES AND USES.

45.2.1 Axes. Axes are cutting tools used for the cutting down of trees and for the chopping and splitting of wood. They may be either single or double-edged. Single-bit, double bit, and crash axes are the most common types. Sizes of axes vary depending upon their design and purpose.

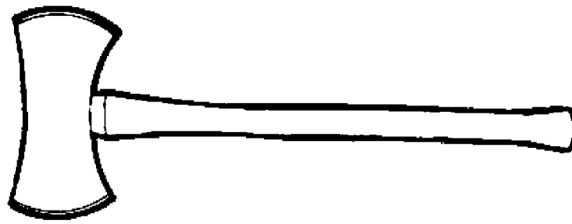
45.2.1.1 Single-Bit Ax.



TO-32-1-101-690

The single-bit ax is used to cut down or prune trees. It can also be used to cut or trim logs and heavy brush, or to split and cut wood. This type ax has a steel head attached by wedges to a long, slightly curved handle. The head has a flat face at one end. At the other end is the cutting edge or “bit.”

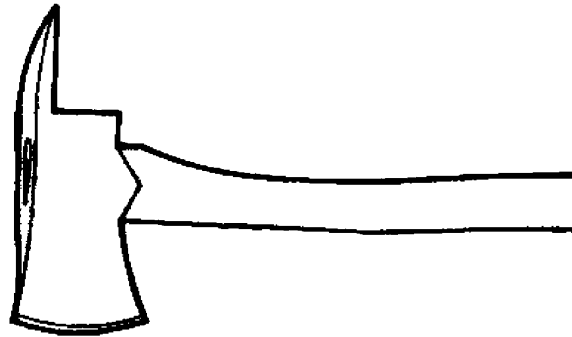
45.2.1.2 Double-Bit Ax.



TO-32-1-101-691

The double-bit ax is used for the chopping down and the lopping and topping of trees. The double-bit ax has a wedge-type head with two cutting edges.

45.2.1.3 Crash Ax.

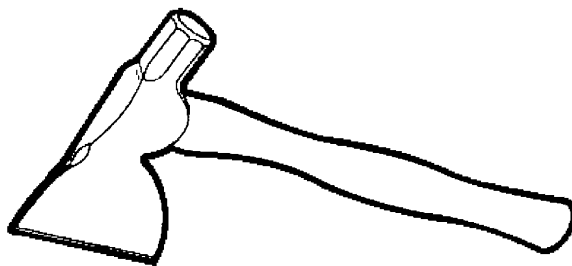


TO-32-1-101-692

The crash ax, or fireman's ax, is used by emergency personnel to gain quick access to a given area. This ax has a steel head with a cutting blade or bit at one end, and a spike-like extension at the other.

45.2.2 Hatchets.

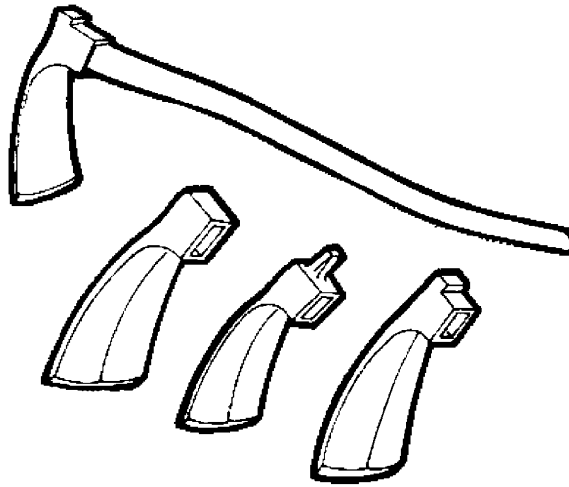
45.2.2.1 Half-Hatchet.



TO-32-1-101-693

The half-hatchet, commonly called a hatchet, has a steel head fastened by wedges to a short wooden handle. The head always has a straight front edge and a round rear shoulder. The other end of the head may vary in shape depending on the design and use.

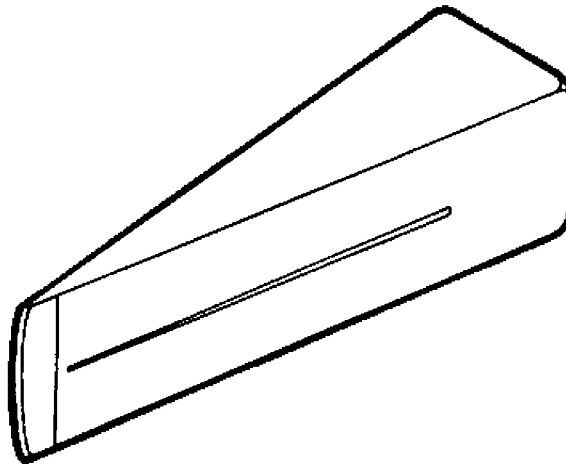
45.2.3 Adz.



TO-32-1-101-694

The adz is a chopping tool used for chopping and smoothing lumber or logs where a great deal of wood or bark is to be removed. The adz is a form of ax where the edge of the blade is at a right angle to the handle. It has a curved steel head attached to a curved handle.

45.2.4 Timber Wedges.



TO-32-1-101-695

The timber wedge is used with a sledge, primarily to split logs and timber. When sawing timber or thick lumber, it may also be used to spread the cut so the saw will not bind. The timber wedge is a steel tool resembling a slender single-bit ax head. One end is slightly fan-shaped and sharpened to a dull edge. The other end is flat where a sledge can strike when driving the wedge into a log.

45.3 SAFETY.

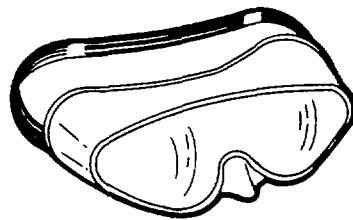
- a. Never use any tool that is defective.
- b. Always wear eye protection when working where flying particles may injure the eyes.
- c. Do not use dull or defective tools.
- d. Before swinging a tool, be sure no one is close enough to be injured.

- e. Do not use a tool not designed for the job. It can be dangerous.
- f. Before using an ax, clean the work area of material that might deflect the ax blade.
- g. Keep arms, legs, and feet out of path of ax.

45.4 USING THE SINGLE-BIT AX.

WARNING

Always wear suitable eye protection. Failure to comply could result in injury to, or death of, personnel or long term health hazards.



TO-32-1-101-200

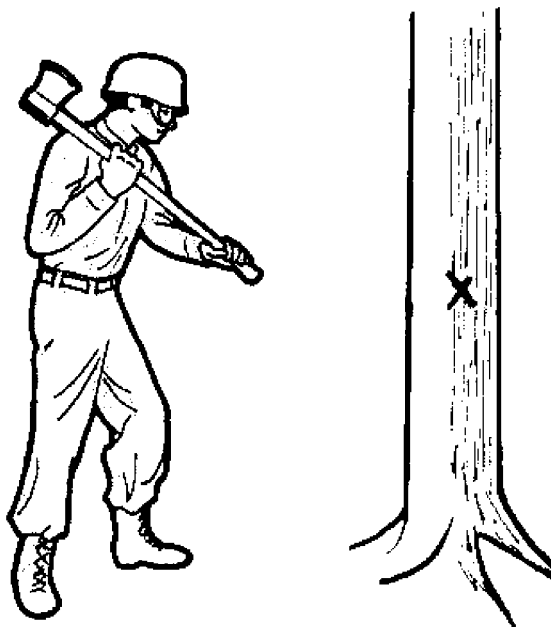


TO-32-1-101-696

- a. First clear the work area of material that might deflect the ax blade. The user's body weight should be evenly distributed, with knees set, but not tense. The feet should be spread at a comfortable distance to retain balance, while the body should be relaxed and free to swing and bend at the waist.
- b. To use the ax, grasp the ax handle with both hands close together near the end of the handle, with the right or leading hand closer to the ax head. The left foot should be closer to the work.

NOTE

Reverse the position of the hands, feet and shoulder if left-handed.



TO-32-1-101-697

- c. To start the swing, bring the ax back over the right shoulder, bending the elbow as the right hand slides up the handle toward the ax head.



TO-32-1-101-698

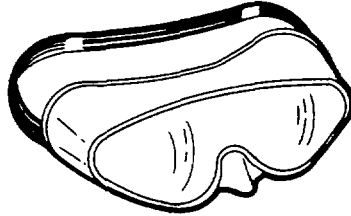
- d. On the downswing, let the right hand slide down the handle, toward the left hand.

- e. At the end of the downswing, the right hand will be beside the left hand at the end of the handle.

45.5 USING THE ADZ.

WARNING

Always wear suitable eye protection. Failure to comply could result in injury to, or death of, personnel or long term health hazards.



TO-32-1-101-200

- a. To use the adz, first clear the work area of branches and debris.



TO-32-1-101-699

- b. Block the timber to be worked on so it cannot slip, slide, or roll.

- c. Straddle the timber and grip the adz handle with both hands. The right hand should be held approximately 12 to 15 inches above the left hand.



TO-32-1-101-700

- d. Use short, choppy down strokes while keeping the hands in approximately the same position on the handle. The right hand does not slide toward the left hand as in swinging the ax, because the right hand must be in a position to keep control of the adz head at all times. Sliding the right hand to the end of the handle would allow the adz blade face to be deflected toward the user.

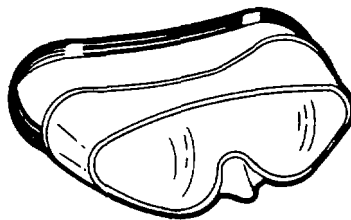
NOTE

As wood chips accumulate on the work surface, clear them away to prevent their causing a deflection of the adz blade. Reverse the position of the hands if left-handed.

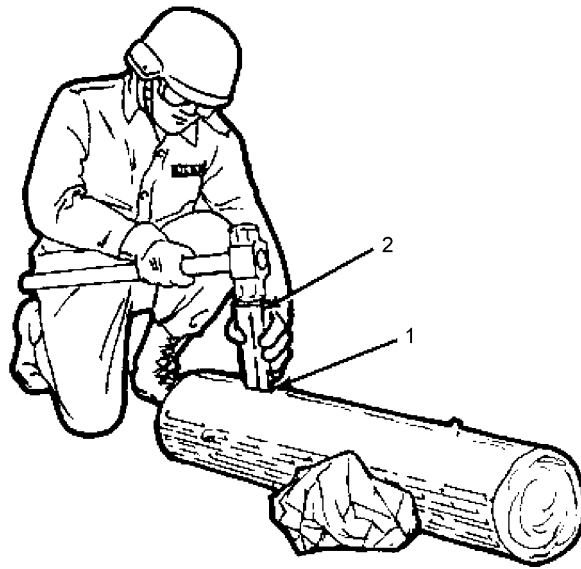
45.6 USING THE TIMBER WEDGE.

WARNING

Before using always wear suitable eye protection. Failure to comply could result in injury to, or death of, personnel or long term health hazards.



TO-32-1-101-200



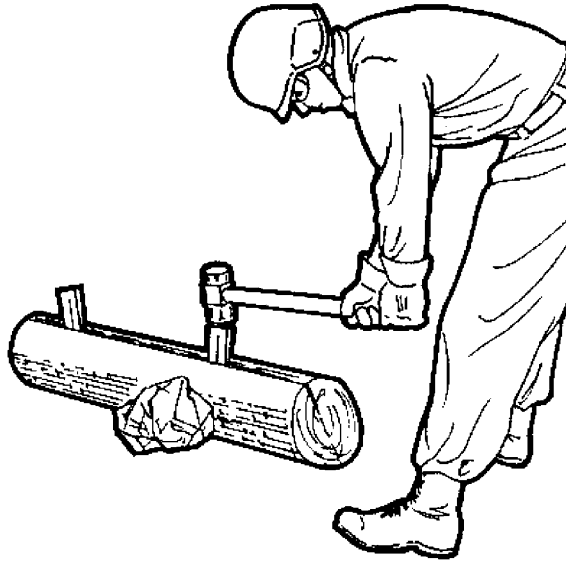
TO-32-1-101-701

- a. To use the timber wedge, first block the log to be split, or steady it so it cannot roll.
- b. With the left hand, hold the wedge's narrow edge (1) on the log where a split is desired.

CAUTION

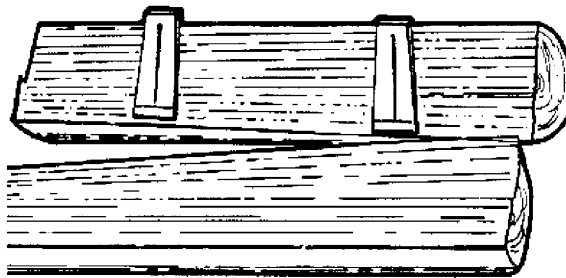
Do not use a timber wedge that has nicks or burrs, since the rough sections can scratch the hands or can cause chips to break off when struck by sledge. Failure to comply could result in damage to, or destruction of, equipment or loss of mission effectiveness.

- c. Hold the sledge handle in the right hand, close to its head, and start driving the wedge (2) into the log with a pounding action.



TO-32-1-101-702

- d. Give the wedge a few blows, then start a second wedge on the line farther along the log and drive it with a few sledge blows.



TO-32-1-101-703

- e. Alternate driving the wedges into the log until log splits. For longer logs, more than two wedges should be used.

NOTE

Reverse the position of the hands if left-handed.

45.7 CARE OF CHOPPING TOOLS.

- a. Clean all chopping tools after use.
- b. Store tools to protect heads and cutting edges.
- c. For prolonged storage, keep tools free of rust by wiping with oil.
- d. In very cold weather, never use a chopping tool before the blade is warm. A cold blade is brittle and will break easily.

WARNING

Linseed oil is a flammable liquid. To avoid personal injury, properly dispose of all cleaning rags in noncombustible containers. Failure to comply could result in injury to, or death of, personnel or long term health hazards.

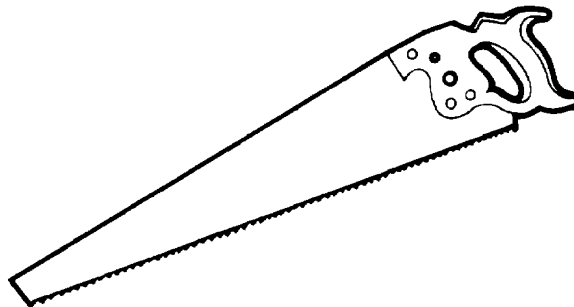
- e. Promptly replace wooden handles on all chopping tools when needed. When changing handles, apply a light coating of linseed oil.

CHAPTER 46

SAWS

46.1 HOW TO CHOOSE AND USE SAWS.

Types and Uses, Paragraph 46.2, provides you with a list of some of the types of saws. These pages should help you select the right saw to do the job. Using, Paragraph 46.4, tells you how to use the saw to perform the desired function. Care of Saws, Paragraph 46.7, tells you how to care for the item.

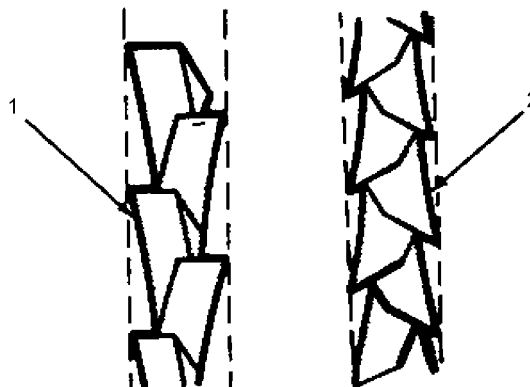


TO-32-1-101-704

46.2 SAWS TYPES AND USES.

Saws are tools with thin, flat steel blades that have a row of spaced notches or “teeth” along the edge. The blade is fastened to a handle. Saws are available in various sizes and designs depending on their use and the material to be cut. The most common types of saws are handsaw, (crosscut and rip saw), backsaw, one-man crosscut saw, two-man crosscut saw, nested saw (keyhole and compass) and hacksaw.

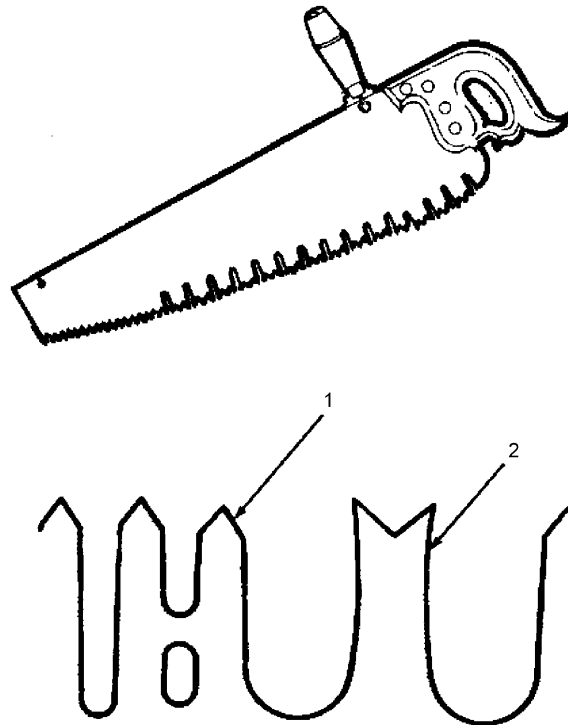
46.2.1 Handsaw.



TO-32-1-101-705

The handsaw consists of a thin flat blade with teeth and a wooden or plastic handle, called the heel, fastened to the end of the blade by screws. There are two categories of handsaws: the rip saw (1) and the crosscut (2). The rip saw is designed to cut with the grain of wood, and the crosscut saw is designed to cut against the grain. The handsaw is used in carpentry, roughout work, and for “finish” hand sawing. Sizes of handsaws vary depending on design and nature of the task.

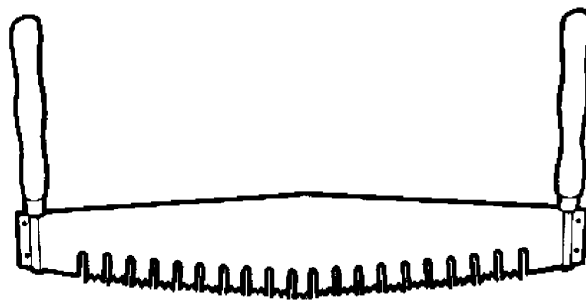
46.2.2 One-Man Crosscut Saw.



TO-32-1-101-706

The one-man crosscut saw is about 36 inches long and has a handle at one end. This type of saw is characterized by a highgrade steel blade with two types of teeth known as “cutters (1) and “rakers” (2). The cutters do the cutting, and the rakers chisel out and remove chips from the cut. It is used for heavy work such as cutting down trees and sawing heavy timbers.

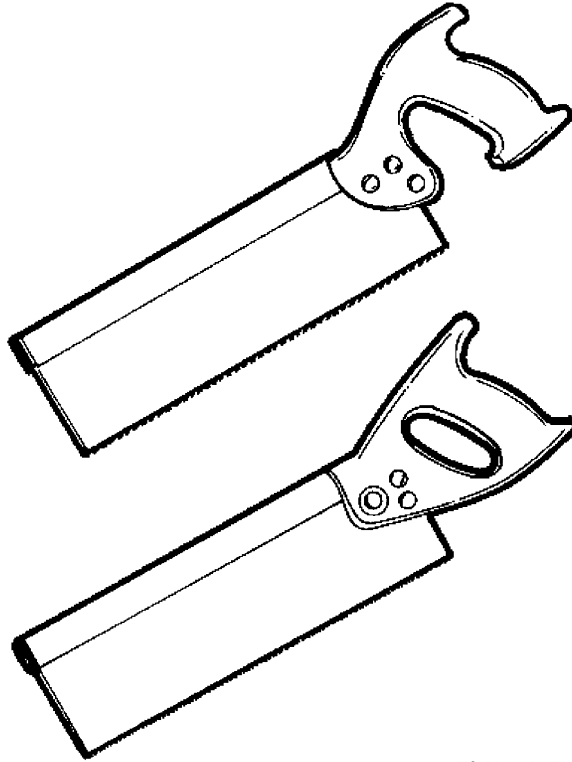
46.2.3 Two-Man Crosscut Saw.



TO-32-1-101-707

The two-man crosscut saw is 5 to 6-1/2 feet long with a handle at each end. As with the one-man crosscut saw, it also has a high-grade steel blade with the “cutter” and “raker” teeth arrangement. It is used when two men are required for extra heavy cutting jobs.

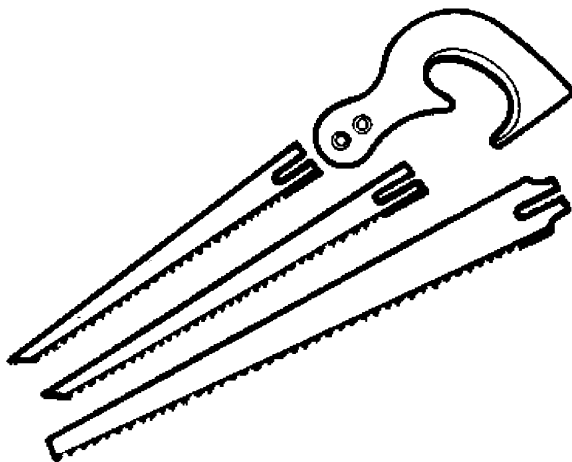
46.2.4 Backsaw.



TO-32-1-101-708

The backsaw has a straight blade and parallel top and bottom, with a heavy strip of steel or brass wrapped along the back to provide rigidity. The handle is of similar shape to other hand saws except it is usually mounted higher. Backsaws are used for general bench work such as cutting joints and smaller sections of lumber to length. Sizes vary depending on design and nature of work.

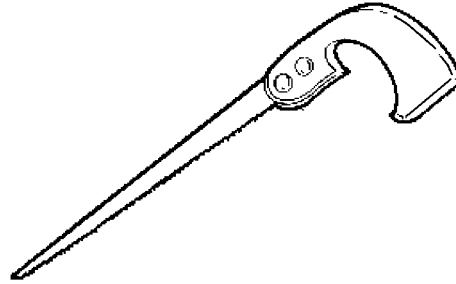
46.2.5 Nested Saws.



TO-32-1-101-709

Nested saws consist of a wooden handle to which several different blades can be attached, making up different types of saws such as the keyhole or compass saw. A slotted end at the heel of each blade slips into the pistol-grip type handle where a wingnut fastens it in place. Nested saws are used to cut along curved lines, to start cuts for larger saws, or to make starting saw cuts from drilled holes or small openings. The size of these saws will vary depending on design and nature of use.

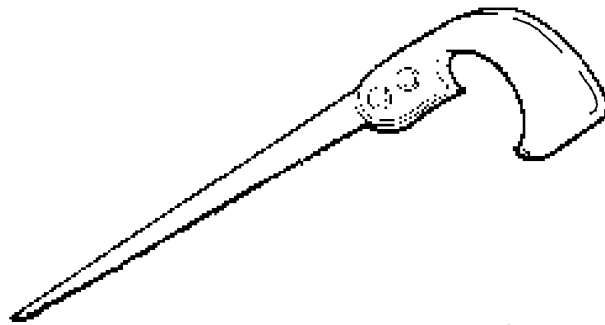
46.2.5.1 Keyhole Saw.



TO-32-1-101-710

The keyhole saw is the smallest type of nested saw. Its blade has a very narrow point small enough to enter a 1/4 inch hole. It is used for close-quarter work, such as cutting, shaping, or enlarging holes in a board.

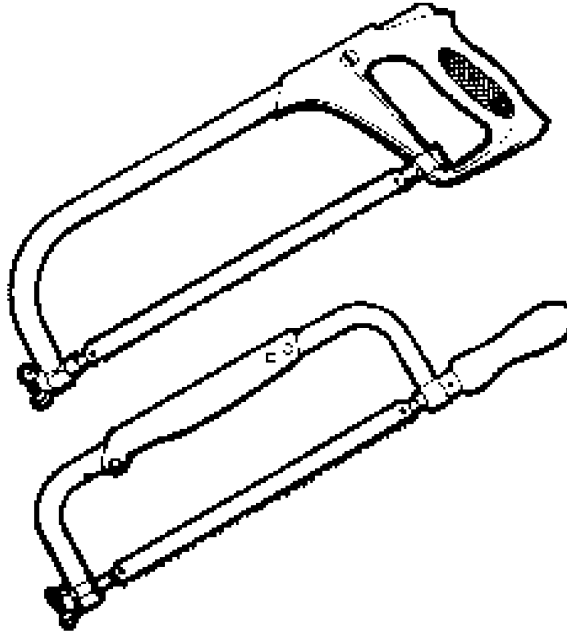
46.2.5.2 Compass Saw.



TO-32-1-101-711

The compass saw is slightly larger than the keyhole saw. The teeth are so arranged that the blade can easily be turned for cutting curves or holes. As with the keyhole saw, the compass saw will vary in size depending on the design and purpose.

46.2.5.3 Hacksaw.



TO-32-1-101-712

The hacksaw is designed to cut almost any size or shape of metal object. The hacksaw uses two types of blades, hard and flexible. The type of blade used depends on the nature of the task. The blade is held to the saw frame by pins that fit into small holes at each end of the blade. Blade tension is adjusted by a screw and wingnut assembly at either the nose or the handle end of the frame. The hacksaw comes in various designs, depending on the purpose.

46.3 SAW SAFETY.

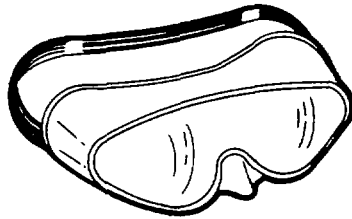
- a. Before using, inspect the tool. Do not use any damaged or broken saw.
- b. Store all tools in their proper places when not being used.
- c. Wear proper eye protection when using any saw.
- d. Do not throw or drop any tools. If a saw is dropped, inspect immediately before reusing.
- e. Using clamps or vises, steady or secure any loose material to be cut.
- f. Do not allow pointed or edged tools to lie around where they may injure someone.
- g. Be careful not to allow the fingers or other parts of body to get in the line of cut.
- h. Do not use a tool for any purpose other than that for which it was designed.

AIR FORCE AIR FORCE TO 32-1-101
ARMY ARMY TM 9-243
MARINE CORPS MARINE CORP TM 10209-10/1
NAVY (NAVAIR) NAVY M6290-AJ-MAN-1010

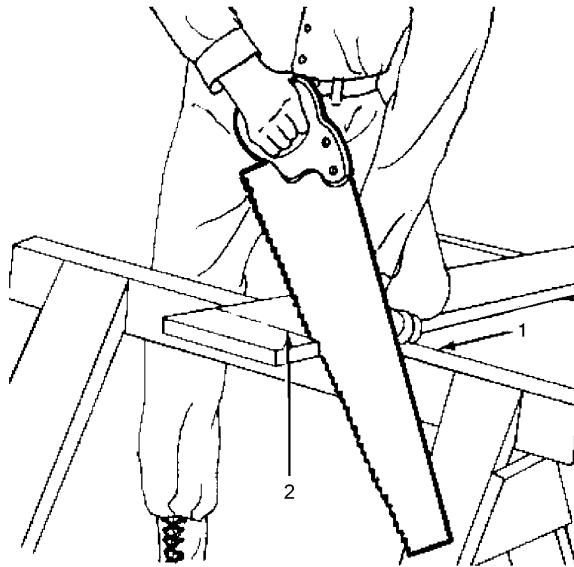
46.4 USING THE CROSSCUT SAW.

WARNING

Wear eye protection. Failure to comply could result in injury to, or death of, personnel or long term health hazards.

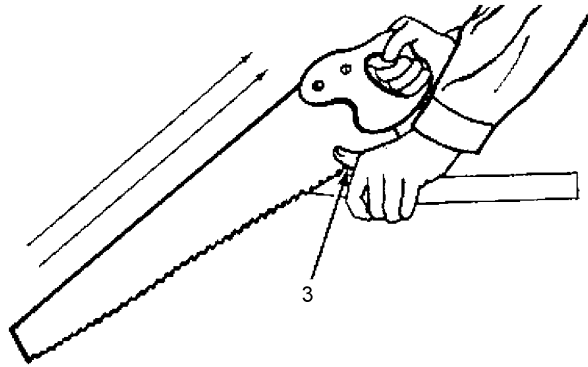


TO-32-1-101-200



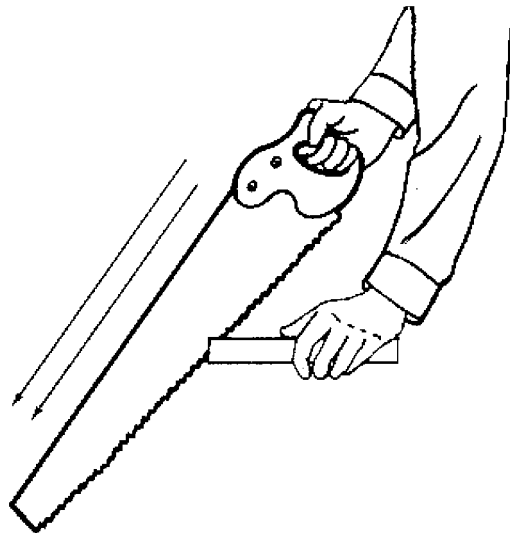
TO-32-1-101-713

- a. In using the crosscut saw, place the work on a level just below the knees. Place one sawhorse, bench or other support (1) fairly close to line of cut (2).



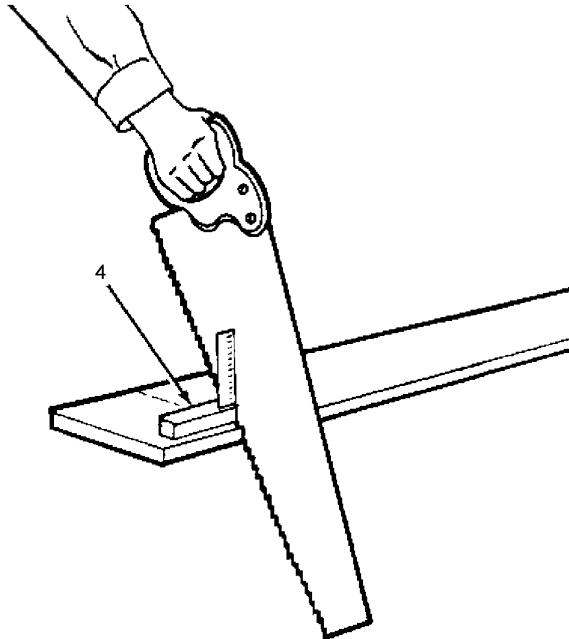
TO-32-1-101-714

- b. To start the cut, place thumb (3) against the side of the saw blade, being careful to hold it well above teeth.
- c. Start the cut by drawing back a few inches of teeth at the heel of the saw a few times.



TO-32-1-101-715

- d. At approximately a 45 degree angle, saw only on the downward stroke applying pressure evenly.



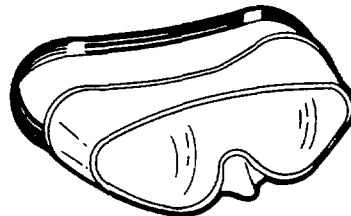
TO-32-1-101-716

- e. Keep the saw blade at a right angle to the work surface by checking the saw position occasionally with a try square (4).
- f. When nearing end of cut, hold the waste side of the wood to prevent board breaking off unevenly.

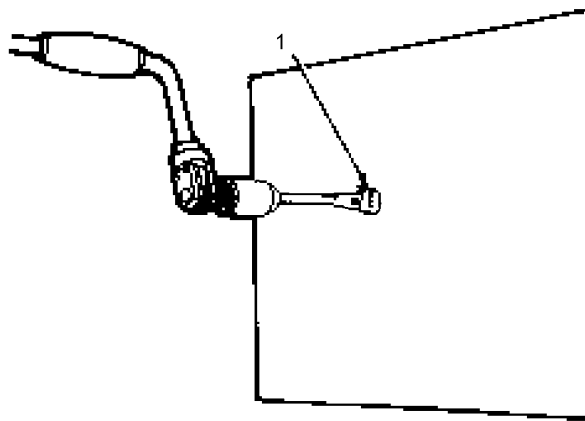
46.5 USING THE KEYHOLE SAW.

WARNING

Wear proper eye protection to avoid flying wood chips or debris. Failure to comply could result in injury to, or death of, personnel or long term health hazards.

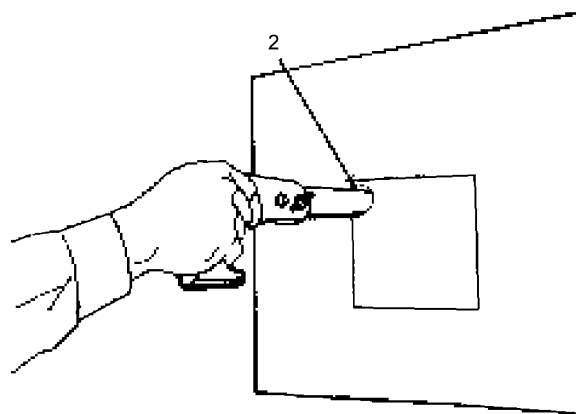


TO-32-1-101-200



TO-32-1-101-717

- a. To make an inside-out cut, first drill a hole (1) large enough to admit the point of the saw.



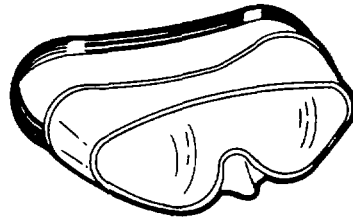
TO-32-1-101-718

- b. Insert the saw blade (2) and start to cut slowly, with a minimum of pressure.
- c. Be careful not to twist the blade too sharply, as the narrow blade will easily bend.

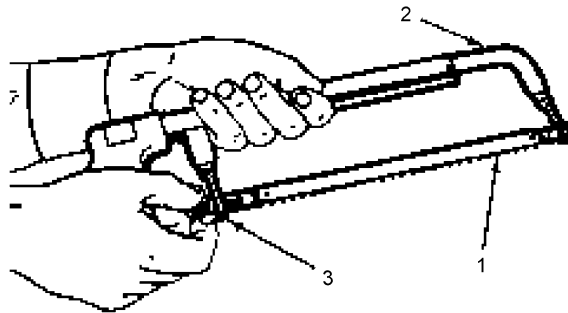
46.6 USING THE HACKSAW.

WARNING

Wear protective eye wear to avoid flying metal chips. Failure to comply could result in injury to, or death of, personnel or long term health hazards.

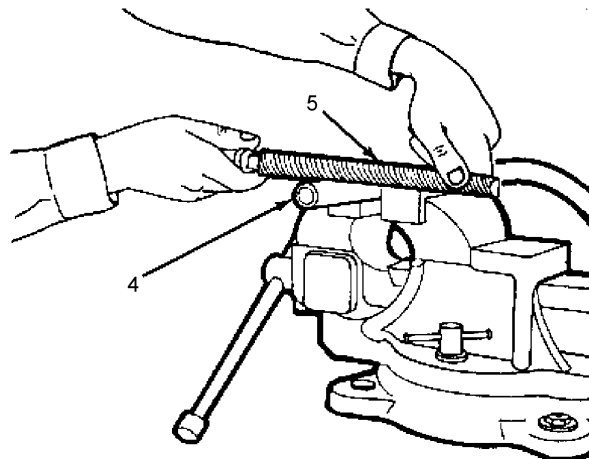


TO-32-1-101-200



TO-32-1-101-719

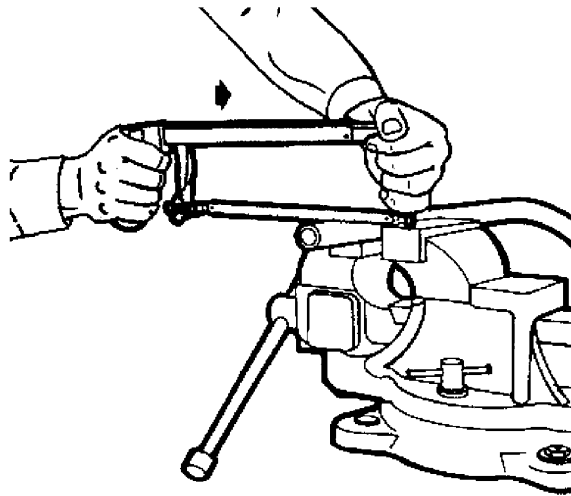
- a. Insert the correct blade (1) in the hacksaw frame (2) and adjust wing nut (3) for proper tension.



TO-32-1-101-720

- b. Secure the material (4) to be cut in a vise or other holding device to avoid vibration which may snap the blade.

- c. To make an accurate cut, use a file (5) to make a notch for guiding the first strokes of the saw.



TO-32-1-101-721

- d. Steady the saw by holding the handle with the right hand and the frame with the left.
- e. Hold the blade parallel to the work surface and cut on the push stroke, being careful not to bear down too hard. Draw the blade back using no pressure each time.
- f. Saw at a rate not to exceed 40 to 50 strokes per minute.

46.7 CARE OF SAWS.

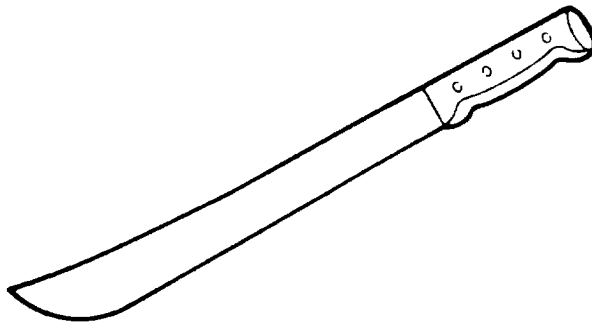
- a. Store blades in a dry place and apply a light coat of oil when not in use. This will keep the blades from rusting.
- b. Never use a woodcutting saw to cut through nails or other metal.
- c. Between cuts, place saw flat on a work bench or in a spot where teeth cannot be damaged.
- d. Avoid placing heavy tools or objects on saw blades as this can result in distortion of the blade.
- e. Do not force the saw if it binds. Use a wedge to spread the cut.
- f. Replace damaged saw handles with new ones immediately when needed.
- g. To keep saw teeth in too condition, touch up the teeth with a file occasionally.
- h. Always protect saw blade teeth from coming in contact with metal or other material that may damage them.

CHAPTER 47

BRUSH-CUTTING TOOLS

47.1 HOW TO CHOOSE AND USE BRUSH-CUTTING TOOLS.

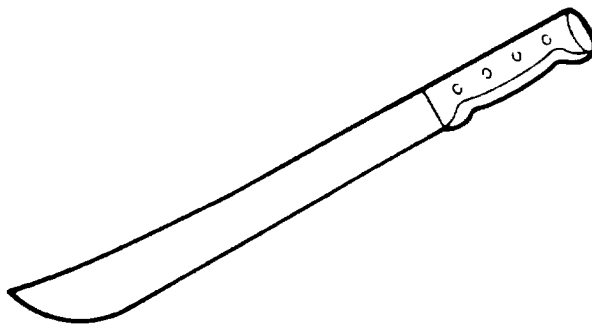
Types and Uses, Paragraph 47.2, provides you with a list of some of the types of brush-cutting tools. These pages should help you select the right brush-cutting tool to do the job. Using the Brush Hook, Paragraph 47.4, tells you how to use the brush-cutting tools to perform the desired function. Care of Brush-Cutting Tools, Paragraph 47.5 tells you how to care for the item.



TO-32-1-101-722

47.2 BRUSH-CUTTING TOOLS TYPES AND USES.

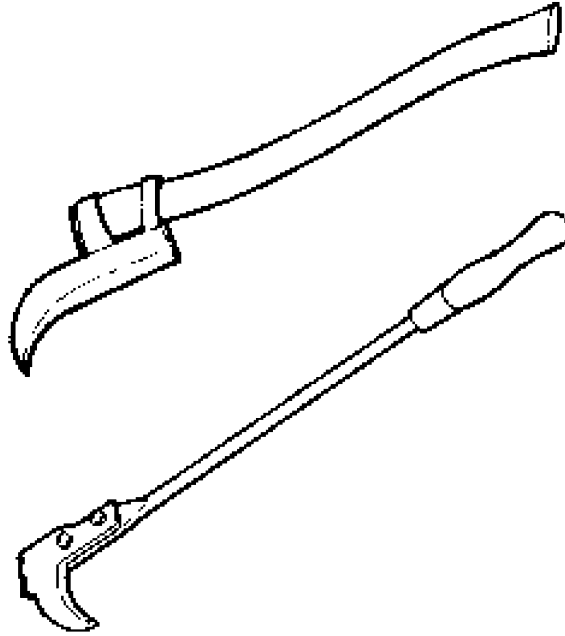
When it is not practical to use an ax or other conventional cutting tool, a brush-cutting tool can be used. Brush-cutting tools are used for cutting underbrush, shrubs, tree branches, vines, and tall grass. Two of the most common brush-cutting tools are the brush hook and the machete. Brush-cutting tools are available in various sizes and designs depending on the nature of use.



TO-32-1-101-722

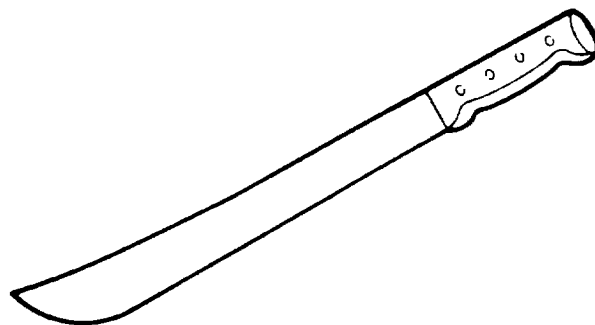
AIR FORCE AIR FORCE TO 32-1-101
ARMY ARMY TM 9-243
MARINE CORPS MARINE CORP TM 10209-10/1
NAVY (NAVAIR) NAVY M6290-AJ-MAN-1010

47.2.1 Brush Hook. The brush hook is a hook-shaped steel blade set onto a heavy-duty metal or wooden handle. The inside edge of the hooked blade is sharpened like the cutting edge of an ax blade. The brush hook is used for cutting underbrush, shrubs, or branches. Tool size and design vary according to the task.



TO-32-1-101-723

47.2.2 Machete. The machete normally in military use is an 18 inch knife, widest and heaviest at the point of the blade. The blade is attached to a handle shaped to fit the hand. The handle is designed with a slight projection to prevent the machete from slipping from the hand while being used. The machete is used to cut tall grass, vines, and small brush.



TO-32-1-101-722

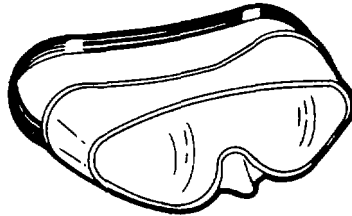
47.3 BRUSH-CUTTING TOOLS SAFETY.

- a. Always make sure no one is close enough to be injured before swinging the tool.
- b. Take care not to allow branches or brush in line of swing to deflect the stroke and cause injury.
- c. Do not use a dull or defective tool.
- d. Store tools properly when not in use.

47.4 USING THE BRUSH HOOK.

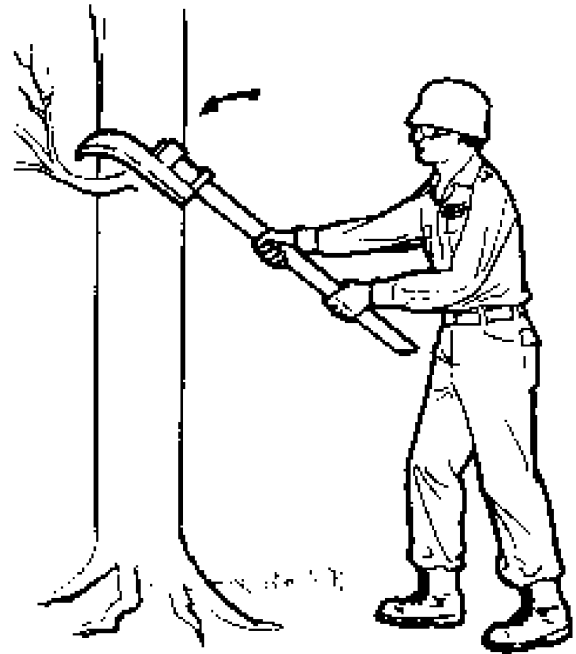
WARNING

Wear proper eye protection when working where flying particles may cause eye injury. Failure to comply could result in injury to, or death of, personnel or long term health hazards.



TO-32-1-101-200

- a. To use the brush hook on a tree branch, lift the curve of the hook above the branch and make short, chopping strokes downward against the surface of the branch.
- b. To cut small brush or bushes, swing the brush hook horizontally. The hooked portion will keep the brush from bouncing away from the cutting edge.



TO-32-1-101-724

47.5 CARE OF BRUSH-CUTTING TOOLS.

- a. Repair all nicks and dulled cutting edges immediately.
- b. For prolonged storage, coat metal parts with light oil.

AIR FORCE AIR FORCE TO 32-1-101
ARMY ARMY TM 9-243
MARINE CORPS MARINE CORP TM 10209-10/1
NAVY (NAVAIR) NAVY M6290-AJ-MAN-1010

c. Replace defective handle immediately.



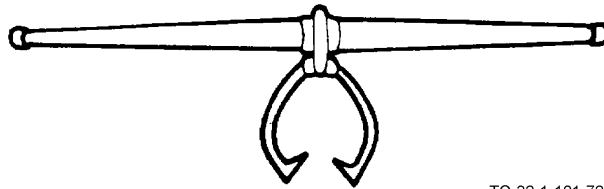
TO-32-1-101-725

CHAPTER 48

TIMBER HANDLING TOOLS

48.1 HOW TO CHOOSE AND USE TIMBER HANDLING TOOLS.

Types and Uses, Paragraph 48.2, provides you with a list of some of the types of timber handling tools. These pages should help you select the right timber handling tool to do the job. Using Timber Handling Tools, Paragraph 48.4, tells you how to use timber handling tools to perform the desired function. Care of Timber Handling Tools, Paragraph 48.5, tells you how to care for the item.

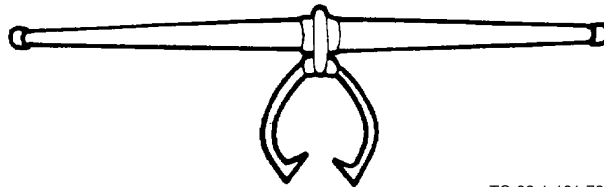


TO-32-1-101-726

48.2 TIMBER HANDLING TOOLS TYPES AND USES.

Timber handling tools are used for lifting or moving heavy objects such as logs or timbers. The timber carrier and the peavy are the most common examples of timber handling tools.

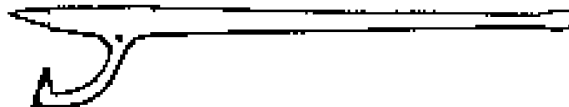
48.2.1 Timber Carrier.



TO-32-1-101-726

The timber carrier consists of a pair of large chisel-bill hooks with sharp, pointed ends. These hooks are hung by pivots in the center of a large wooden handle, four feet in length. The timber carrier is used to lift logs and timbers from one lever to another as well as carry them.

48.2.2 Peavy.



TO-32-1-101-727

The peavy has a sturdy pole-type wooden handle, about 5 feet in length, that fits into a cylindrical tapered steel socket. The socket has a sharp spiked point. Hinged to the side of the socket is a curved hook that ends in a sharp point. The peavy is used for rolling, turning, and carrying logs and timbers.

48.3 TOOL SAFETY.

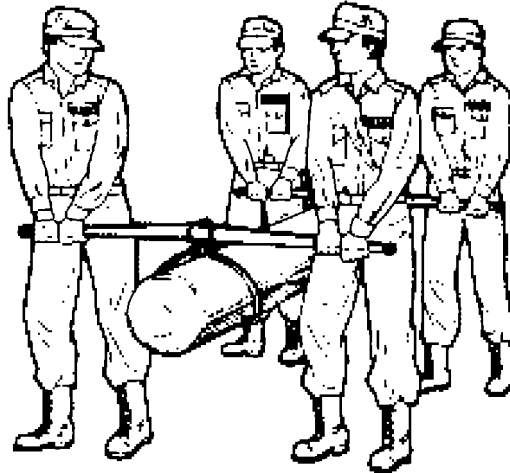
- a. Be sure that all hooks are securely embedded in the log to be carried.

- b. Be sure that all personnel at the end of the timber carrier or peavy handles lift and lower the log in unison.
- c. Do not toss tools from one location to another, as damage or injury may result.

48.4 USING TIMBER HANDLING TOOLS.

Below are examples of how the timber handling tools in this chapter can be used.

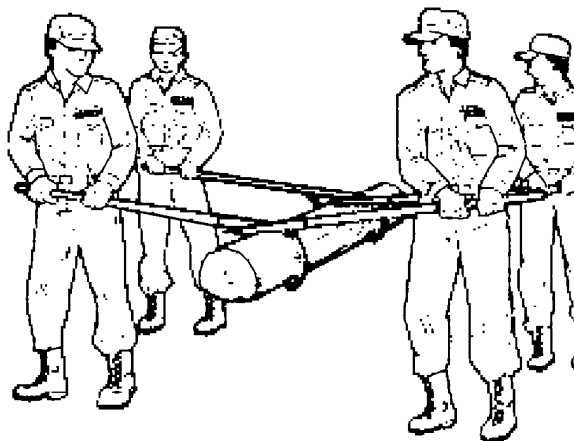
48.4.1 Using a Timber Carrier.



TO-32-1-101-728

Lifting and moving heavy log with timber carriers.

48.4.2 Using A Peavy.



TO-32-1-101-729

Lifting and moving heavy log with peavies.

48.5 CARE OF TIMBER HANDLING TOOLS.

- a. Keep the points on both tools sharp by filing when points are even slightly dulled.
- b. Oil the rustable metal portions of these tools on occasion to maintain their good condition.

- c. Inspect the pivots on the timber carrier to insure they are tight.

WARNING

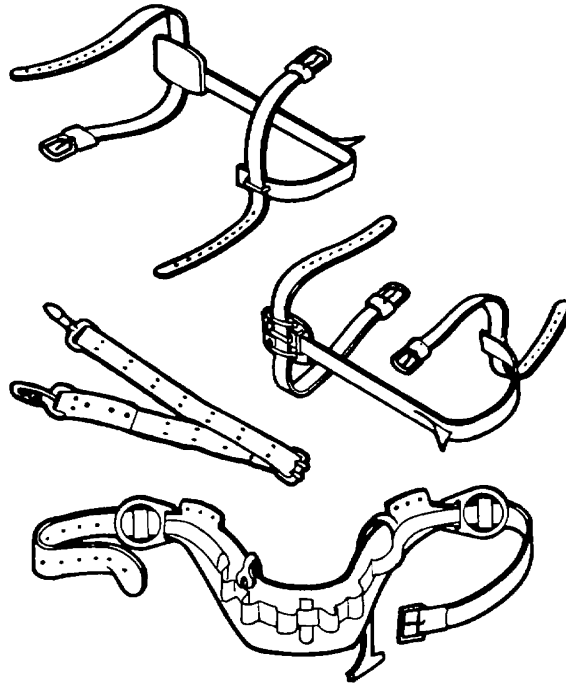
Linseed oil is a flammable liquid. To avoid personal injury, properly dispose of all cleaning rags in noncombustible containers.

- d. Coat the handles occasionally with linseed oil to prevent drying out.
- e. Replace defective or damaged handles immediately.

CHAPTER 49 CLIMBING TOOLS

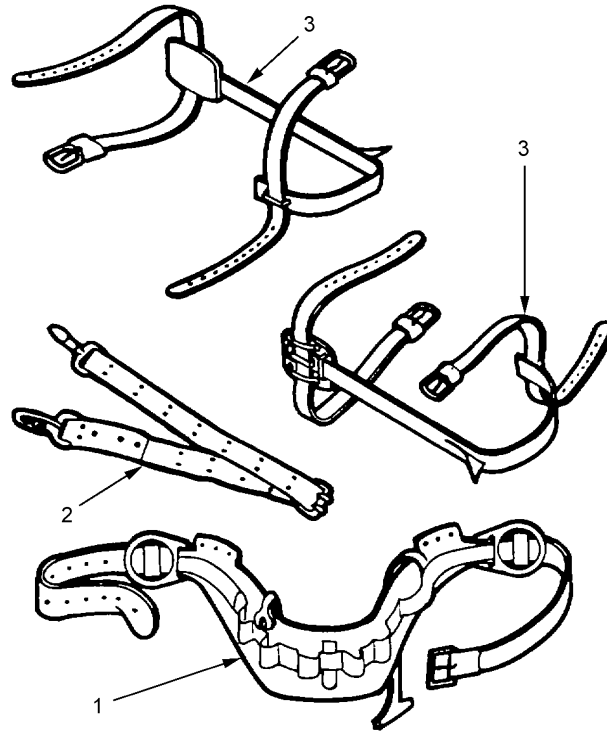
49.1 HOW TO CHOOSE AND USE CLIMBING TOOLS.

Types and Uses, Paragraph 49.2, provides you with a list of some of the types of climbing tools. These pages should help you select the right climbing tool to do the job. Using Climbing Tools, Paragraph 49.4, tells you how to use climbing tools to perform the desired function. Care of Climbing Tools, Paragraph 49.5, tells you how to care for the item.



TO-32-1-101-730

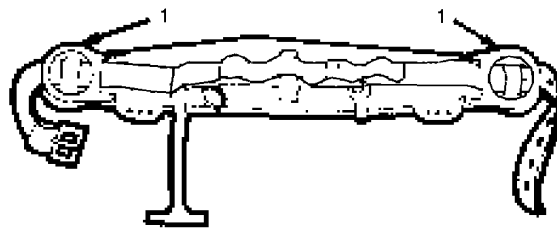
49.2 CLIMBING TOOLS TYPES AND USES.



TO-32-1-101-731

Climbing tools consist of safety belts (1), safety straps (2), and leg irons with spurs (3). Climbing tools are used for scaling poles and trees, erecting power lines, and for support when clearing and topping trees.

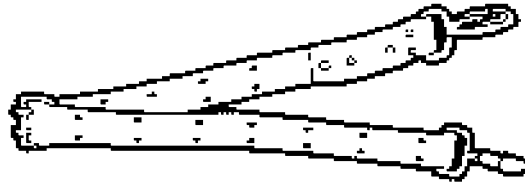
49.2.1 Safety Belt.



TO-32-1-101-732

The safety belt is an adjustable leather belt that has loops in which to carry tools. It also has two D-rings (1) attached to hold the safety strap.

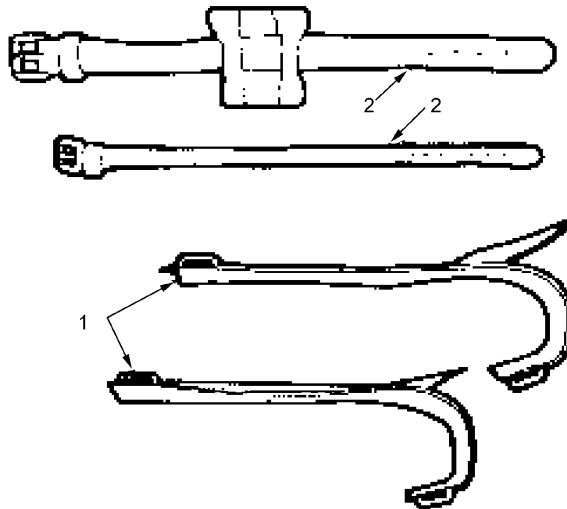
49.2.2 Safety Strap.



TO-32-1-101-733

The safety strap is a leather strap with metal snap hooks on each end. These hooks attach to the D-rings on the safety belt.

49.2.3 Leg Irons.



TO-32-1-101-734

The leg irons (1) are often called tree and pole climbers. They consist of flattened metal bars, curved at one end to fit under the foot arch, and with the straight portion along the inside of the lower leg. Leather straps (2) secure the irons to the leg and ankle.

49.3 CLIMBING TOOLS SAFETY.

- a. Always inspect climbing tools thoroughly before using them.
- b. Never climb without using a safety strap.
- c. When climbing, insure that the spurs are securely driven into the wood at each stop.
- d. Do not use any belt or strap that is cracked or dried-out.
- e. Never use a safety belt or safety strap with broken, bent or badly worn rings or fasteners.

49.4 USING CLIMBING TOOLS.



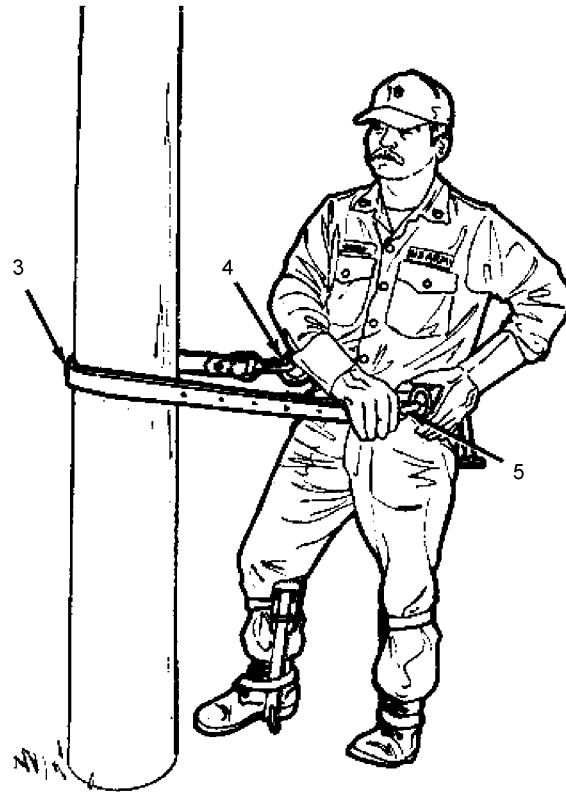
TO-32-1-101-735

- a. Secure safety belt (1) around waist and place tools needed in position on belt.



TO-32-1-101-736

b. Strap the leg irons (2) to the legs and feet.



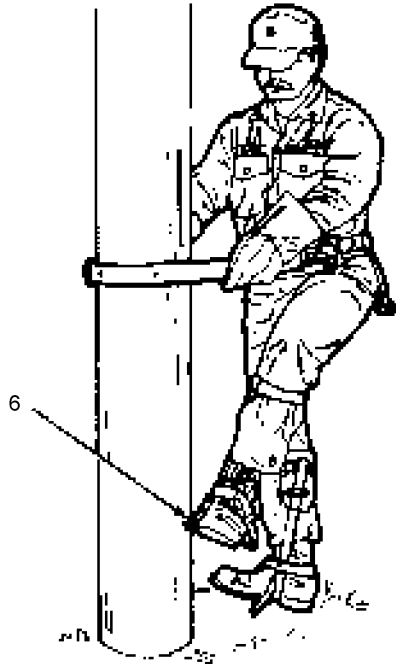
TO-32-1-101-737

c. Snap the safety strap (3) to one D-ring (4) on the belt, pass the strap around the pole to be climbed, and snap the other end of the safety strap to the other D-ring (5).

AIR FORCE AIR FORCE TO 32-1-101
ARMY ARMY TM 9-243
MARINE CORPS MARINE CORP TM 10209-10/1
NAVY (NAVAIR) NAVY M6290-AJ-MAN-1010

WARNING

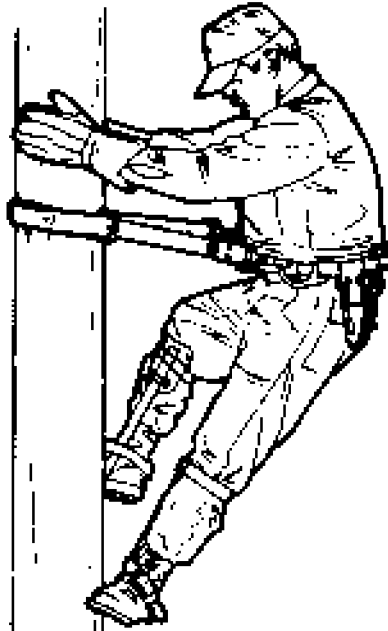
Before placing your weight on the strap, look to see that the snap and D-ring are properly engaged. Do not rely on the click of the snap-tongue as an indication that the fastening is secure. Failure to comply could result in injury to, or death of, personnel or long term health hazards.



TO-32-1-101-738

- d. Begin the climb by driving one leg iron gaff (6) into the pole so the gaff has a solid hold.

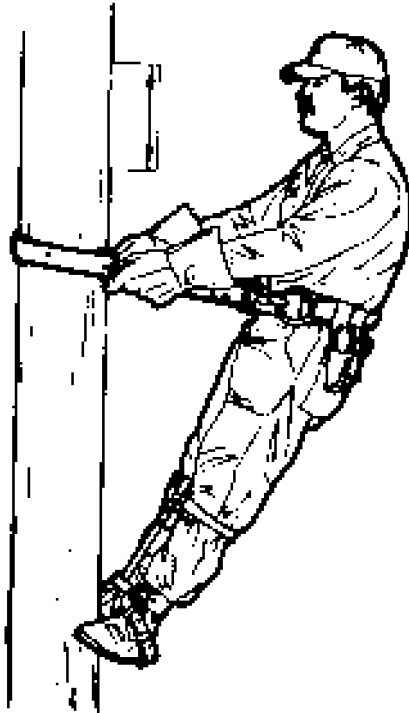
- e. Place your weight on the embedded gaff and drive the other gaff into the pole a little higher than the first.



TO-32-1-101-739

- f. Begin the climb using the procedure outlined in Step e.
- g. While climbing, lean your body away from the pole to prevent the safety strap from slipping.
- h. Keep both hands on the pole until the safety strap needs moving.

- i. With both gaffs firmly embedded in the pole, slide the safety strap up the pole.



TO-32-1-101-740

- j. When desired height is reached, sink both gaffs into the pole at the same level.
- k. Lean back with the safety strap around the pole slightly higher than the safety belt. Hold this position while working.

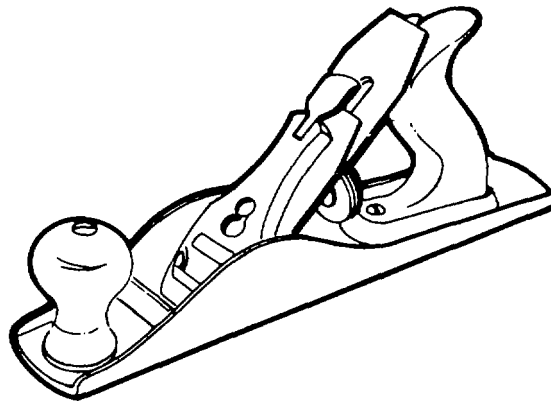
49.5 CARE OF CLIMBING TOOLS.

- a. Keep leather items soft and supple by occasionally applying neat's foot oil.
- b. Examine all stitching frequently and repair immediately if needed.
- c. Inspect D-rings on the safety belt and snap-hooks of the safety strap frequently.
- d. Keep spurs sharp by filing after use.
- e. Store leather parts away from extreme heat.
- f. Oil all metal parts before storing.
- g. Lay metal leg irons away so spur points will not be damaged by coming in contact with other tools.

CHAPTER 50 PLANES

50.1 HOW TO CHOOSE AND USE PLANES.

Types and Uses, Paragraph 50.2, provides you with a list of some of the types of planes. These pages should help you select the right plane to do the job. Using, Paragraph 50.4, tells you how to use planes to perform the desired function. Care of Planes, Paragraph 50.6, tells you how to care for the item.

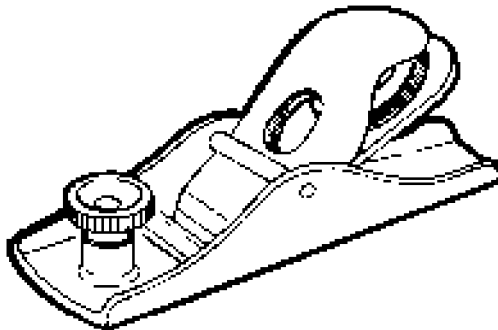


TO-32-1-101-741

50.2 PLANES TYPES AND USES.

Planes are smoothing tools used to true edges or surfaces of wood. Planes also are used where a finished surface or close fitting joints are required. Planes vary in size and shape, but each is designed for a specific purpose. The two types of planes most generally used are the block plane and bench plane.

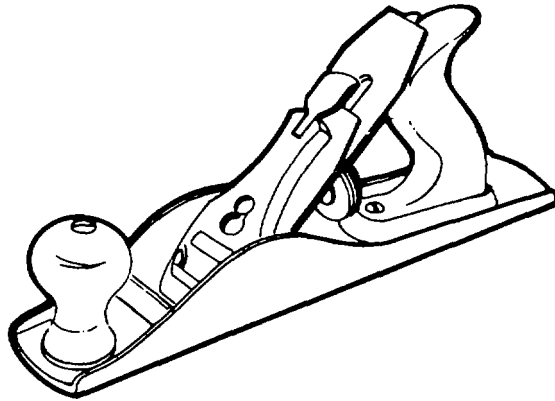
50.2.1 Block Plane.



TO-32-1-101-742

The block plane is the smallest type of plane. It is available in a variety of patterns and is designed to cut end grain with the cutting blade set between 12 degrees and 20 degrees. Although it can usually be used with one hand, a toe knob is provided when additional pressure is needed.

50.2.2 Bench Plane.



TO-32-1-101-741

One of the most common types of bench planes is the jack plane. Like all bench planes, the jack plane is designed for cutting with the grain of the wood. Its cutting blade is set at approximately 45 degrees and is used for all purpose planing or to cut lumber to specified lengths.

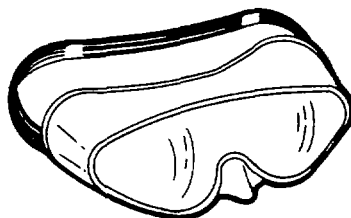
50.3 CUTTING TOOLS SAFETY.

- a. Be careful to plane work smoothly to avoid splinters that may be left to cause injury.
- b. Use each plane only for the job it is intended.
- c. Keep all cutting tools in good condition.
- d. Do not allow tools to lie around work areas in such a position that they may cause injury to others.
- e. Before using, inspect the tool for damage or other defects. Repair or replace immediately if required.

50.4 USING THE BLOCK PLANE.

WARNING

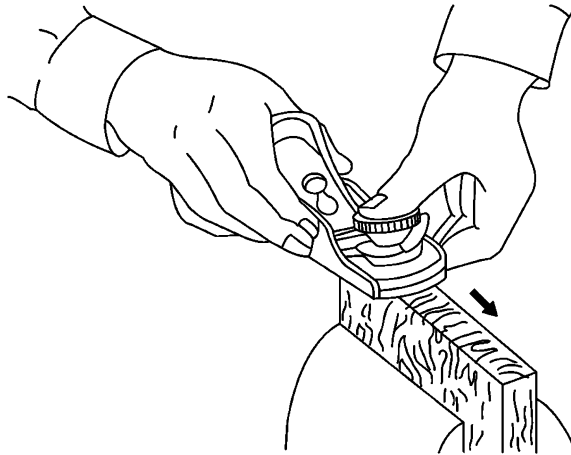
Wear eye protection when working where flying particles may cause eye injury. Failure to comply could result in injury to, or death of, personnel or long term health hazards.



TO-32-1-101-200

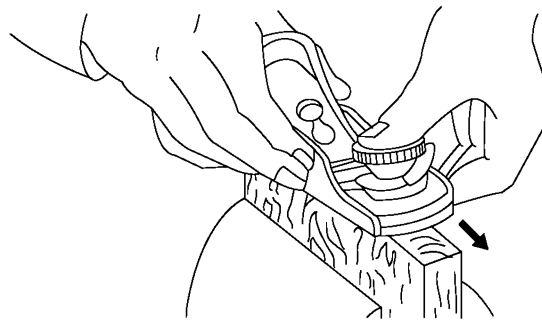
- a. Secure work with a vise or with clamps to prevent slippage.

- b. Ensure that the cutting blade is extremely sharp and set to produce a fine cut.



TO-32-1-101-743

- c. Place the plane on the edge of board with the plane pointing across the grain.

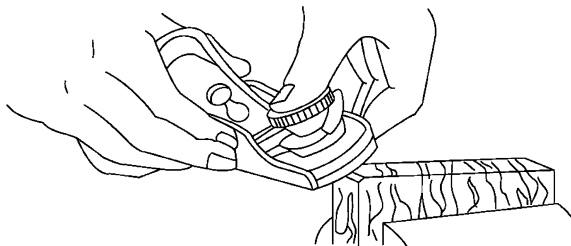


TO-32-1-101-744

- d. Push along the length of the board with a steady, even stroke.

NOTE

Plane from either end to prevent the grain splitting or plane a chamfer on the far end first, as shown.

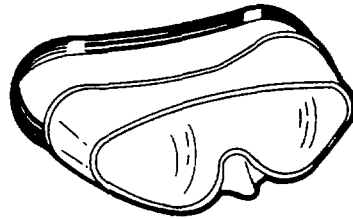


TO-32-1-101-745

- e. Raise the plane from the work after each stroke and return to the starting point.

f. Repeat the process until the task is complete.

50.5 USING THE BENCH PLANE.



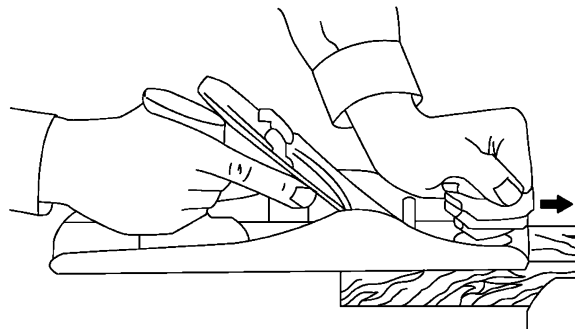
TO-32-1-101-200

Wear eye protection when working where flying particles may cause eye injury. Failure to comply could result in injury to, or death of, personnel or long term health hazards.

- a. Secure work with a vise or with clamps to prevent slippage.
- b. Make sure the plane is sharp and properly adjusted before using.
- c. Place the plane on the board with the right hand on the handle and the left hand on the knob.

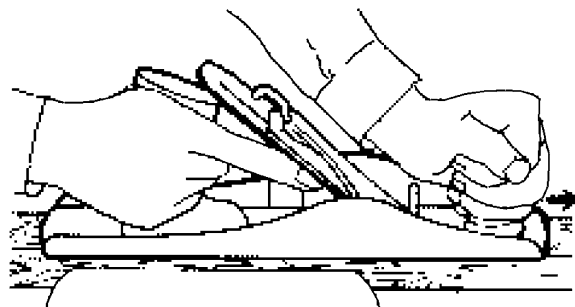
NOTE

Reverse the position of the hands if left-handed.



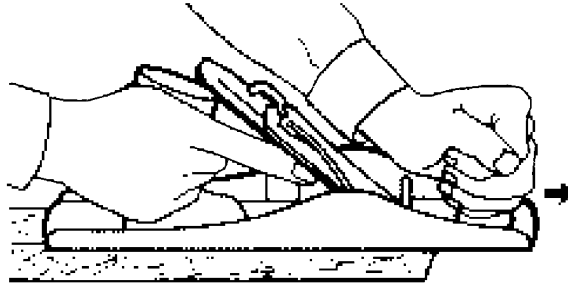
TO-32-1-101-746

- d. Check to insure the plane is placed on the work so that the wood grain points in the direction the plane will go.



TO-32-1-101-747

- e. Push with a steady, even stroke along the length of the board.
- f. Raise the plane and return to the starting point after each stroke.



TO-32-1-101-748

- g. Repeat the process until the task is completed.

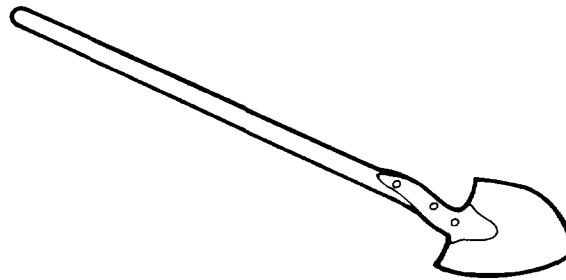
50.6 CARE OF PLANES.

- a. Place the plane on its side to protect cutting edge when not in use.
- b. Keep the cutting edge sharp and free of nicks.
- c. Cover all metal parts with light oil to prevent rusting.
- d. For storage, withdraw the cutting edge into the mouth of the plane.

CHAPTER 51 DIGGING TOOLS

51.1 HOW TO CHOOSE AND USE DIGGING TOOLS.

Types and Uses, Paragraph 51.2, provides you with a list of some of the types of digging tools. These pages should help you select the right digging tool to do the job. Using, Paragraph 51.4, tells you how to use digging tools to perform the desired function. Care and Cleaning of Digging Tools, Paragraph 51.7, tells you how to care for the item.

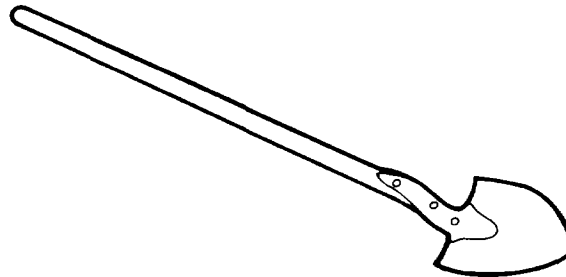


TO-32-1-101-749

51.2 DIGGING TOOLS TYPES AND USES.

Digging tools are designed for the breaking and digging of soil. Common types of digging tools are the long-handled and D-handled shovel, spade, posthole digger, and auger.

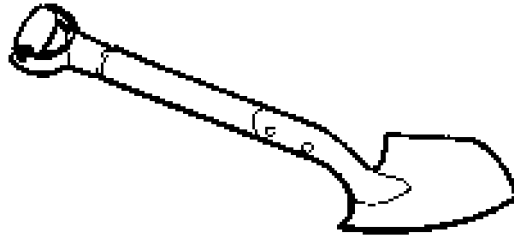
51.2.1 Long-Handled Shovel.



TO-32-1-101-749

The long-handled shovel consists of a curved, shaped steel blade attached to a long wooden handle. The lower metal edge of the blade is tapered to help it cut into the ground. The long-handled shovel is used for heavy digging, especially when it is necessary to throw or move dirt a substantial distance.

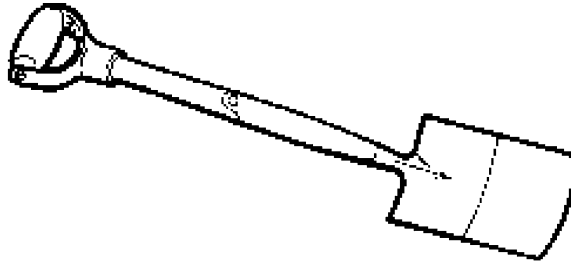
51.2.2 D-Handled Shovel.



TO-32-1-101-750

The D-handled shovel resembles the long-handled shovel except that it has a shorter handle with a D-shaped handgrip at the end. The D-handled shovel is used for fight work or for digging in cramped, tight places.

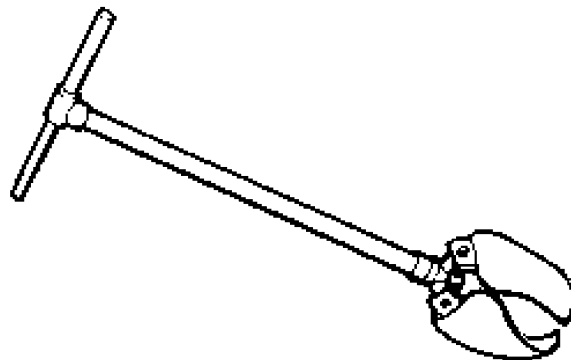
51.2.3 Spade.



TO-32-1-101-751

The spade, like the shovel, has a steel blade and a wooden handle. The blade may be rounded, pointed or square in shape and the handle may have the D or T-shaped handgrip. The spade is used for heavy digging or in confined areas.

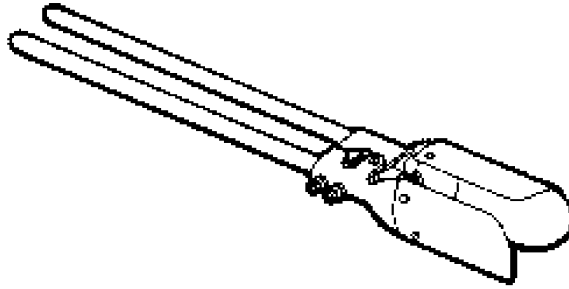
51.2.4 Posthole Auger.



TO-32-1-101-752

The posthole auger is a long tool made up of a steel shaft that has two shovel-like blades at one end. The blades have curved faces which are hinged to permit slight movement with the concave surfaces of these blades facing each other. The posthole auger is used to bore holes in the ground for posts, poles and explosive charges.

51.2.5 Posthole Digger.



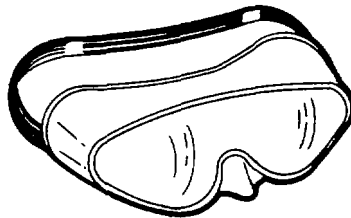
TO-32-1-101-753

The posthole digger has two concave blades similar to the posthole auger except that each blade is fastened to a long, wooden handle. The blades are hinged at the top so that separating the handles will close them and moving the handles together will open them. Like the auger, the posthole digger is used to bore holes in the ground for posts, explosive charges and similar jobs.

51.3 PROPER TOOL SAFETY.

- a. Do not use a dull or defective tool.
- b. Before swinging a tool, always be sure no one is close enough to be injured.
- c. Store tools properly when not in use. Carelessly stored tools can cause injuries.
- d. Use tools correctly so that you and everyone in the vicinity is protected from injury.
- e. Do not use a tool not designed for the job.

51.4 USING THE LONG-HANDLED SHOVEL.



TO-32-1-101-200

WARNING

Wear proper eye protection when working where flying particles may cause eye injury. Failure to comply could result in injury to, or death of, personnel or long term health hazards.



TO-32-1-101-754

- a. Hold one hand at the end of the handle, with the other hand a few inches below it.
- b. Press the blade into the ground. Use the foot on top of the blade for extra force if necessary.
- c. With shovel embedded in soil, push the handle downward and pull back slightly to break the dirt loose.



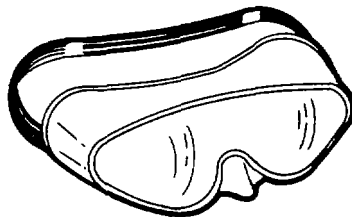
TO-32-1-101-755

- d. Slide one hand near enough to the shovel blade to raise the weight of the blade and dirt, holding the handle down with the other hand.

51.5 USING THE SPADE.

WARNING

Wear proper eye protection when working where flying particles may cause eye injury. Failure to comply could result in injury to, or death of, personnel or long term health hazards.



TO-32-1-101-200



TO-32-1-101-756

- a. Hold the handle upright gripping with both hands and push the blade into the ground with foot.
- b. With the blade in the ground, push the handle downward and pull back to break the dirt loose.

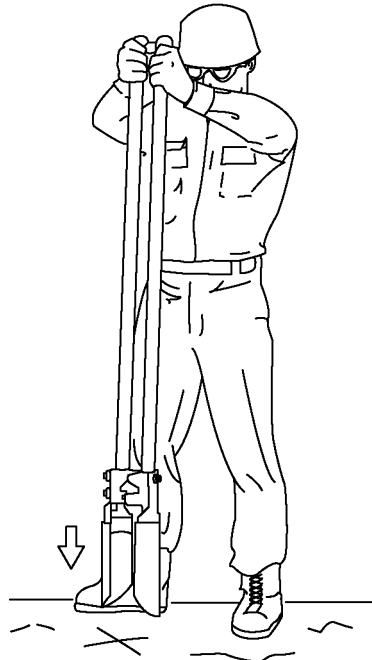


TO-32-1-101-757

- c. Slide one hand near enough to the blade to raise the weight of the blade and the dirt.

AIR FORCE AIR FORCE TO 32-1-101
ARMY ARMY TM 9-243
MARINE CORPS MARINE CORP TM 10209-10/1
NAVY (NAVAIR) NAVY M6290-AJ-MAN-1010

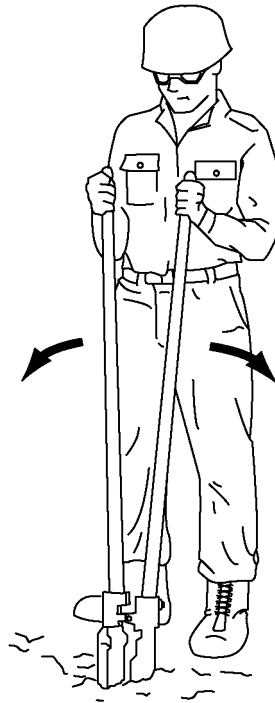
51.6 USING THE POSTHOLE DIGGER.



TO-32-1-101-758

- a. Drive the posthole digger into the spot where the hole is to be dug.

- b. Hold the handles slightly separated near the top, and bring the blades down sharply into the soil by force of the arms.



TO-32-1-101-759

- c. Pull the handles apart to grasp the earth out of the hole and lift digger out of hole.
- d. Continue the process until the hole is the required size and depth.

51.7 CARE AND CLEANING OF DIGGING TOOLS.

- a. Tools should be cleaned often after each use and metal parts oiled before storing.
- b. Never use a tool other than for the job it was intended.
- c. Store all digging tools in their proper places when not in use.
- d. Replace defective handles immediately.

WARNING

Linseed oil is a flammable liquid. To avoid personal injury, properly dispose of all cleaning rags in noncombustible containers.

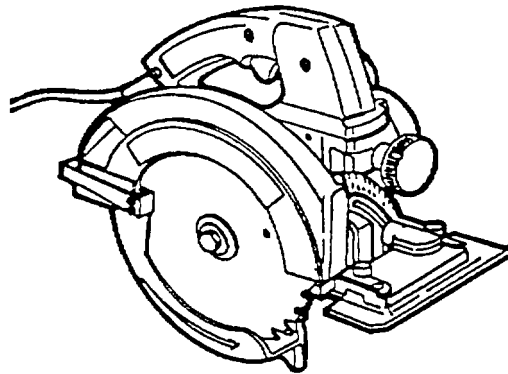
- e. Treat wooden handles occasionally with linseed oil to prevent drying out or splintering.

CHAPTER 52

ELECTRICAL POWER TOOLS

52.1 HOW TO CHOOSE AND USE ELECTRICAL POWER TOOLS.

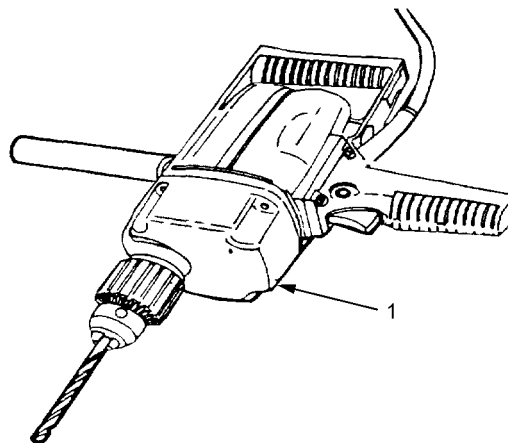
Types and Uses, Paragraph 52.2, provides you with a list of the electrical power tools found in the pioneer tool outfit. These pages should help you select the right power tool for the job. Using, Paragraph 52.4, tells you how to best use these tools. By becoming familiar with these procedures, you will build a good background for further skill development in the use of power tools. Care of Electric Power Tools, Paragraph 52.10, tells you how to keep your power tools in proper working condition. Safety, Paragraph 52.3, tells you how to use your power tools safely and wisely.



TO-32-1-101-760

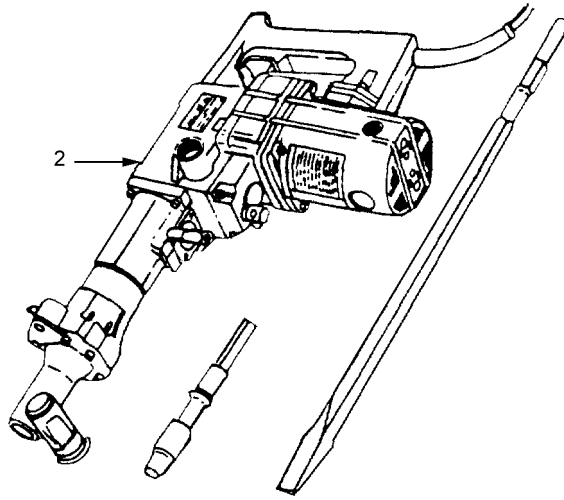
52.2 ELECTRICAL POWER TOOLS TYPES AND USES.

Portable electric power tools are designed for a wide variety of uses including construction, tree cutting, bridging, or tree clearing. Electric power tools increase production and reduce time and manpower. Although there are many varieties of electric power tools, only those tools contained in the pioneer tool outfit will be covered in this chapter. They are the electric drill (1), hammer (2), impact wrench (3), circular saw (4), chain saw (5), sander (6), and accessories for these tools. For additional information on power tools not covered in this chapter, refer to FM 9-24.

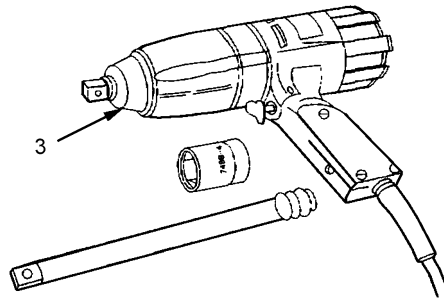


TO-32-1-101-761

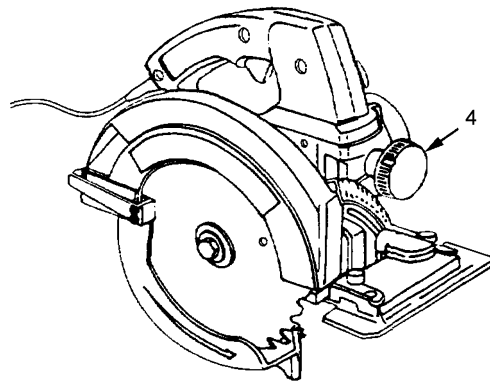
AIR FORCE AIR FORCE TO 32-1-101
ARMY ARMY TM 9-243
MARINE CORPS MARINE CORP TM 10209-10/1
NAVY (NAVAIR) NAVY M6290-AJ-MAN-1010



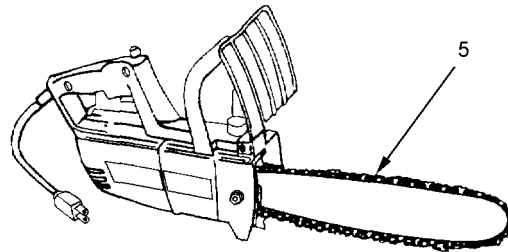
TO-32-1-101-762



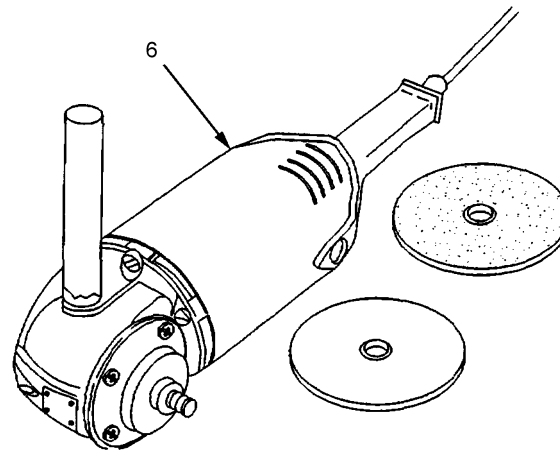
TO-32-1-101-763



TO-32-1-101-764

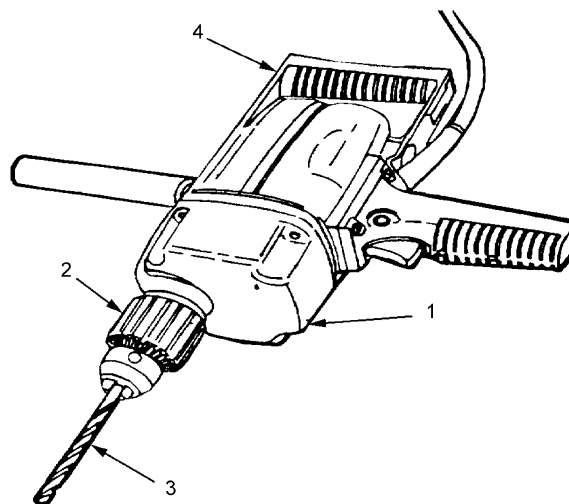


TO-32-1-101-765



TO-32-1-101-766

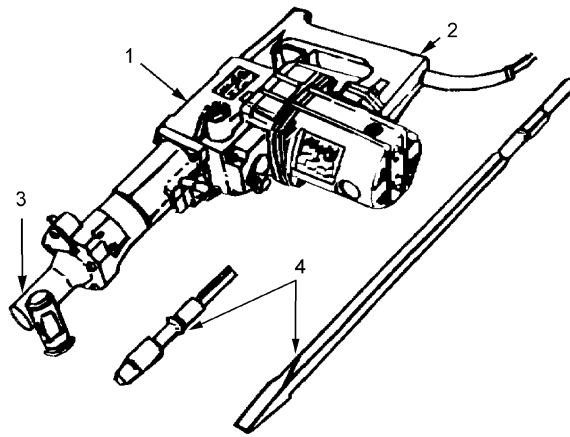
52.2.1 Portable Electric Drill.



TO-32-1-101-767

The portable electric drill is basically an electric motor in a metal housing (1). The housing is fitted with a “chuck” (2) into which a bit (3) or other attachment can be inserted. The portable electric drill, although varying in size and design, usually has either a spade or pistol-grip handle (4). The portable electric drill is basically designed for drilling. However, by adding various accessories it can be adapted for different jobs. Sanding, sawing, buffing, and polishing are examples of possible uses.

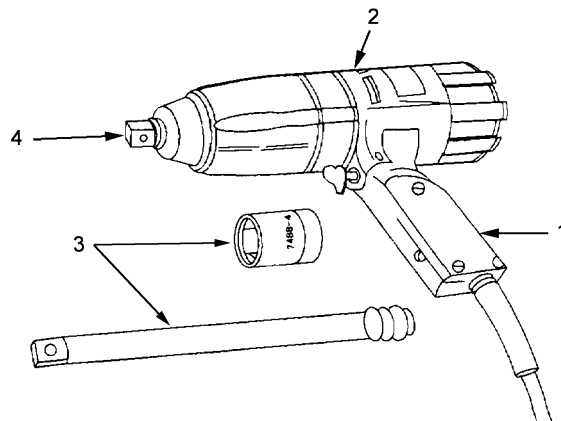
52.2.2 Portable Electric Hammer.



TO-32-1-101-768

The portable electric hammer consists of a metal housing (1) with a spade or pistol-grip handle (2). A strong spring inside the housing moves a steel piston back and forth in a pounding motion. The housing muzzle (3) is designed to hold a variety of bits (4) which give the electric hammer great versatility. Examples of possible uses for this tool are beveling, caulking, pounding, digging, and breaking operations.

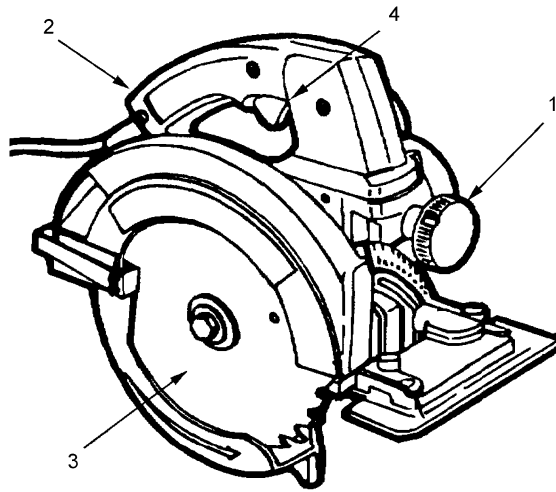
52.2.3 Portable Electric Impact Wrench.



TO-32-1-101-769

The portable electric impact wrench consists of a pistol-grip handle (1) on a metal housing (2) which contains a motor that energizes the driving-anvil inside the muzzle of the housing. Attachments (3) are fastened to the driving-anvil by snapping them onto the socket retainer (4). The portable electric wrench with its accompanying equipment is primarily intended for applying and removing nuts, bolts, and screws. It may also be used to drill and tap wood, metal, plastics, etc., and to drive and remove socket head or self-tapping screws.

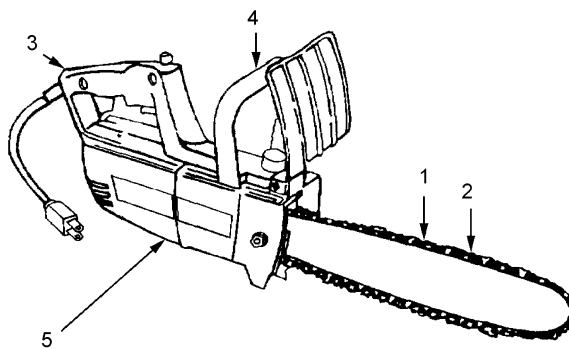
52.2.4 Portable Electric Circular Saw.



TO-32-1-101-770

The portable electric circular saw consists of a sturdy motor in a metal housing (1), a pistol-grip handle (2), and a circular saw blade (3). The trigger switch (4) is built into the handle. Saws vary in size and design depending on the nature of the task. There are many applications for this tool. Typical uses would be cutting studding to length, cutting off end boards, preparing trim, or ripping boards and planks.

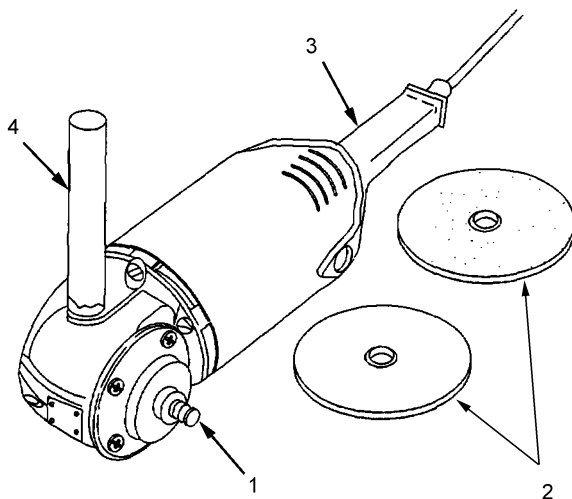
52.2.5 Portable Electric Chain Saw.



TO-32-1-101-771

The electrically driven chain saw is a portable power saw with the teeth (1) arranged on a flexible steel chain-like belt (2). It has a pistol-like grip (3) and bar frame (4) above the motor housing (5) for holding and guiding. Unlike the gasoline-powered chain saw, the electric chain saw is designed for lighter work such as tree trimming and cutting small logs and timber.

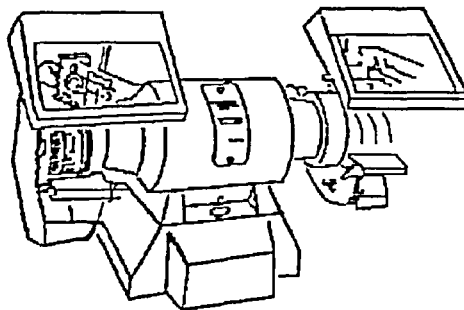
52.2.6 Portable Electric Disk Sander.



TO-32-1-101-772

The portable electric disk sander is an electrically driven tool with a spindle (1) at the front end for holding circular attachments (2). Various types of attachments can be fastened to the end of the projecting spindle. The rear end of the sander's housing tapers to form a guiding handle (3). To provide additional control, a second handle (4) is attached to the side of the housing. The portable electric disk sander with its many attachments can be used for a variety of tasks. Heavy-duty sanding, grinding, wire brushing, buffing, and planing are some of the possible applications.

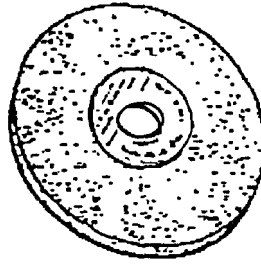
52.2.7 Bench Grinders and Oilstones. The bench grinder is used to sharpen tools, dress screwdrivers, and to shape and smooth metal stock. Avoid grinding of non-ferrous metals (brass, copper, aluminum, etc.) on the grinder supplied; special grinding wheels are required for this purpose.



TO-32-1-101-773

The bench grinder available at the sites is equipped with two different types of grinding wheels. One wheel is coarse and is used for rough grinding, the other is fine and is used for tool sharpening and finish grinding. These grinders are also equipped with safety shields and tool rests. The tool rest should be adjusted so that the space between the grinding wheel and the tool rest is approximately 1/16 inch, but never over 1/8 inch. Flexstones and oilstones can also be used for removing burrs and rough edges. A further use of the oilstone is the sharpening of tools. Flexstones are not to be used for this purpose. Mounting Grinding Wheels on Spindles. The following procedures should be used when grinding wheels are

to be mounted on the spindle.



TO-32-1-101-774

- a. Inspect the wheel for flaws and make the “ring test”.
- b. Clean the bearing surfaces of wheel, flanges and spindle so that the clamping pressure will be evenly distributed.
- c. Check the speed of the spindle to make sure that it is not running too fast for the type and size of wheel.
- d. Make sure that the hole in the wheel bushing is the right size for the spindle. (neither too small nor too large).
- e. Use flanges that are recessed and large enough to clamp the wheel well toward its circumference.
- f. Tighten the spindle end nuts just enough to keep the wheel from moving out of position between the flanges.
- g. Before turning on power, make sure that the wheel runs true and will strike no obstruction.

52.2.7.1 Grinding Wheel “Ring” Test. New grinding wheels should be unpacked promptly upon receipt and should be given the “ring” test for damage suffered. Give this test also immediately before mounting either a new or used wheel on the spindle, especially if the wheel has been in storage for a considerable time. Most defects in grinding wheels, including flaws and cracks, are not visible to the naked eye, but the “ring” test readily discloses them. Make the test by suspending the wheel free and clear and tapping it gently with a light wooden implement, such as a wooden screw driver handle for light wheels, and a wooden mallet for heavy wheels. Sound and undamaged wheels will give forth a clear metallic tone when tapped. If defective there will be no ring. Wheels bonded with organic material do not give forth the same clear metallic sound as do verified and silicate wheels. Any wheel should be dry and free of sawdust when the “ring” test is given; otherwise the sound will be deadened. Grinding Suggestions Listed below are several suggestions that, if followed, will eliminate machine abuse and provide maximum protection for the operator:

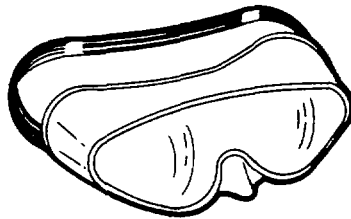
- a. Wear safety glasses at all times when working near the grinder, including the period of adjusting guards and tool rest. Do not remove the glasses until the job is completed and the machine shut off.
- b. Be sure that the wheel guards, tool rests, and shields are properly positioned before applying power.
- c. Stand to the side of the grinder when turning it on. Allow the machine to run for one minute before engaging the wheel with the work. The turn-on period is the mostly likely time for a wheel to break.
- d. Keep the tool rest as close to the grinding wheel as possible (approximately 1/16 inch) when using the grinder; take small cuts with moderate pressure.
- e. Never use a glazed, worn, or uneven wheel; replace it.
- f. Never operate the grinder or attempt any repairs without having a thorough knowledge of the grinder’s operation.

52.2.7.2 Portable Rotary Polishers and Grinders. Portable rotary polishers and/or grinders are either electric or pneumatic powered types of various speed ranges. Wheels used on these tools vary from coarse grit for metal removal, fine grit for paint or rust removal, to soft fabric material for polishing surfaces. When mounting wheels on spindles, the following procedures should be used:

- a. Inspect grinding wheels for flaws and make the “ring test”. (Refer to. Grinding wheel “Ring” test paragraph.)
- b. Clean the bearing surfaces of wheel, flanges and spindle so that clamping pressure will be evenly distributed.
- c. Make sure the hole in the wheel bushing is the right size for the spindle (neither too small not too large).
- d. Use flanges that are recessed and large enough to clamp the wheel well toward its circumference.

WARNING

Eye protection must always be used when operating these tools. A grinding wheel that has a glazed surface, and an uneven wheel should never be used. Failure to comply could result in injury to, or death of, personnel or long term health hazards.



TO-32-1-101-200

CAUTION

- Pencil type die grinders, designed with a rotary or a twist throttle control and not a spring or air pressure loaded cut off switch, may be used with cutting tools not greater than 1/8” diameter.
 - A hand held polisher or grinder must always be equipped with an operating switch that is either spring loaded or air pressure loaded to the cut-off position to cut-off power when the hand grip is released. Tools without this equipment should be discarded.
 - Grinding wheels used must always be rated at a speed equal to or greater than the tool it will be used on.
 - These tools should only be used on objects that are either massive enough or restrained to prevent grinding or polishing from moving or throwing the object. This tool shall never be used to grind or polish an item that is held by hand.
 - These tools will never be equipped with a tool rest, on bench mounted grinders, but must always be equipped with a guard that will cover not less than one half the periphery of the wheel being used.
- e. Tighten spindle end nuts just enough to keep wheel from moving out of position between the flanges.

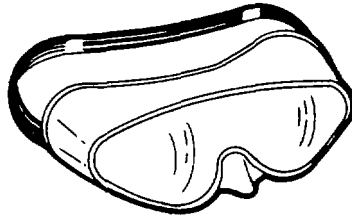
52.3 ELECTRICAL POWER TOOL SAFETY.

Before operating any power tool, refer to Chapter 2, Section II for safety guidelines to observe when using these tools.

52.4 USING THE PORTABLE ELECTRIC DRILL.

WARNING

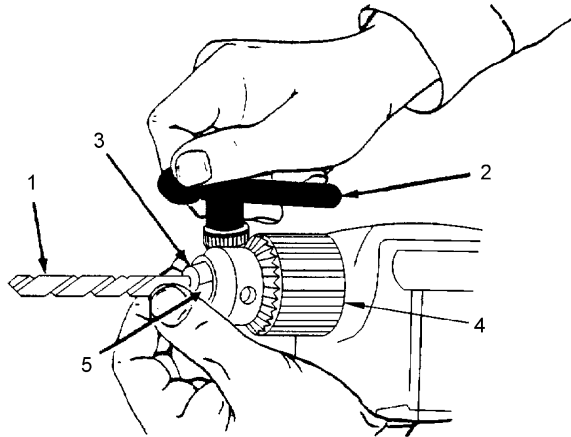
Before using any electrical tool, always make certain the tool is equipped with proper grounding features. Failure to have proper grounding can result in serious shock.



TO-32-1-101-200

WARNING

Always wear proper eye protection when working where flying particles may cause eye injury. Failure to comply could result in injury to, or death of, personnel or long term health hazards.



TO-32-1-101-775

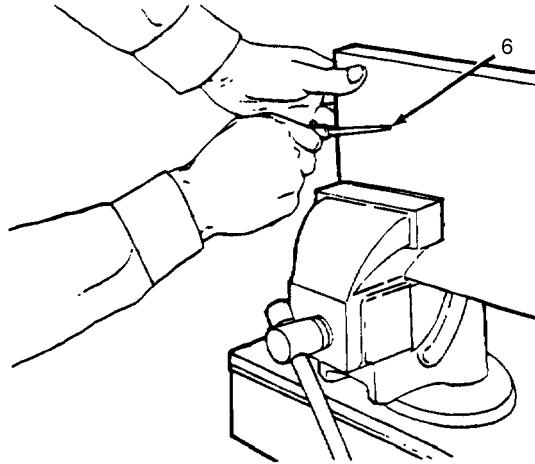
- a. Select the proper bit (1) required for the task.

NOTE

To turn chuck key in either direction a firm grasp of the chuck is required.

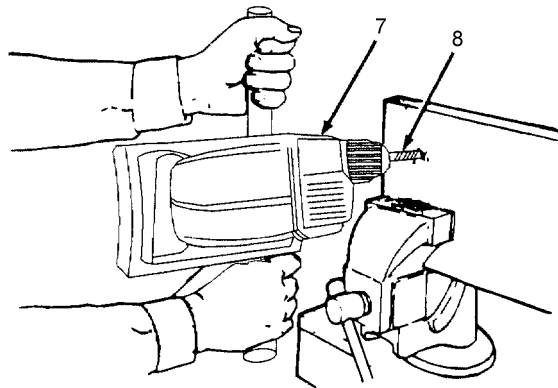
- b. Fit the chuck key (2) into the side adjusting hole between jaws (3) and chuck (4) and turn the key counterclockwise until the chuck opens enough to admit the bit shank (5).
- c. Insert the bit and center the shank in the chuck jaws. Tighten jaws securely by turning the chuck key clockwise.

- d. Remove chuck key and store where key will not get lost.



TO-32-1-101-776

- e. Before drilling, make sure that the work is stationary or firmly secured.
- f. Using a punch or awl, make a small prick point (6) in the spot where the hole will be made. (This will prevent the drill bit from bouncing or slipping away from the spot where the hole is to be drilled.)



TO-32-1-101-777

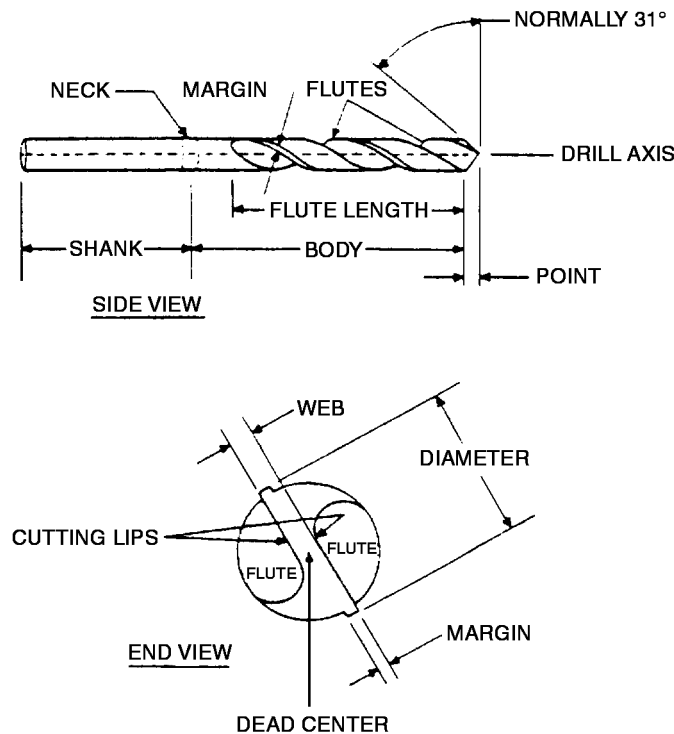
- g. Connect electric drill (7) to power source. Place the drill bit on the marked spot and depress trigger switch. Begin drilling, exerting firm but even pressure to keep the bit cutting.
- h. Withdraw the bit frequently from the work to clean chips from the bit flutes (8) and to allow the bit to cool.
- i. Ease up on the drill pressure as the bit approaches the other side of the work surface.
- j. After hole is completed, carefully withdraw rotating drill bit to prevent binding or breaking. Release trigger switch.

52.5 DRILLS, REAMERS, TAPS, AND COUNTERSINKS.

52.5.1 Drills, Reamers, Taps, and Countersinks Introduction. The accurate drilling and reaming of metals and the tapping of holes depends largely upon the user's knowledge of the tools required to perform these functions. If these tools are properly used and cared for, a higher quality of workmanship will be obtained. This chapter contains information relative to the use and care of these tools.

52.5.2 Twist Drills. Twist drills are the most common tools used in drilling metal and are made in many different sizes and lengths. These drills are made of carbon steel or high-speed alloy steel. Carbon steel drills are used for general drilling while the alloy steel drills are used for drilling hard metals such as stainless steel.

52.5.3 Drill Terminology. A twist drill (Figure 52-1) is composed of three main parts: point, body, and shank. The point of a drill is the cone-shaped end (normally 31 degrees) which does the actual cutting. The body is the center section of the drill between the point and shank. The cut-out portions of the body are called flutes. These flutes serve a definite function in that they cause the metal chip to curl tightly within itself occupying a minimum amount of space, and they also allow lubricants to flow easily down to the cutting edge. The shank of the drill is the end that fits into the drill chuck. The actual cutting is done by the cutting lips or edges which are formed by the intersection of the flutes and the cone-shaped point. The dead center of the drill is the edge at the extreme tip of the point. The dead center should always be in the exact center of the drill axis. When drills are reground, it is possible to have the dead center point off center resulting in one cutting lip doing most of the cutting and placing excessive strain on the drill. The narrow strip at the edge of each blade is called the margin. This strip, which extends the entire length of the flutes, is part of a cylinder interrupted by the flutes. The actual drill diameter is measured from margin to margin.



TO-32-1-101-778

Figure 52-1. Drill Terminology

52.5.4 Drill Sizes. The twist drills available at the sites are designated in two different ways. If the size number, which is etched on the drill shank, has worn off, the drill size can be obtained by using a micrometer. Measure the drill from margin to margin on the drill body near the shank end. This shank diameter is usually a few ten-thousandths of an inch smaller than the point diameter.

AIR FORCE AIR FORCE TO 32-1-101
ARMY ARMY TM 9-243
MARINE CORPS MARINE CORP TM 10209-10/1
NAVY (NAVAIR) NAVY M6290-AJ-MAN-1010

- a. Fractional Sizes - These drills come in sizes from 1/32 inch to 1/2 inch. The difference between one drill size and the next larger or smaller size is always 1/64 inch.
- b. Numbered Sizes - These drill sizes vary from No. 1 (0.2280 inches) to No. 80 (0.0135 inches). The smallest numbered size drill stocked at the sites is No. 60 (0.0400 inches).

52.5.5 Using the Drill. Prior to performing the job the proper size drill bit and drill motor must be selected. Table 55-3 and Table 55-4 in Chapter 55 list the various drill bits available. There are two drill motors available at the site. One, a high-speed, 1/4 inch capacity drill motor, is used for general drilling of light metals; the other, 1/2 inch capacity, is used for drilling large holes. The motor of the 1/2 inch capacity drill is geared down to prevent overheating of the drill bit. The object to be drilled should be held in a vise when possible. Never attempt to hold the work with your hands. The drill may catch or jam and start the stock spinning. When this occurs the stock may fly loose and injure personnel in the immediate area. When drilling thin sheet stock, back up the stock with a piece of wood to prevent the stock from being bent out of shape. When the location of the desired hole is selected, it should be center punched. This will aid the drill in starting to cut and will prevent it from wandering. Turn the drill chuck a few times by hand before turning on the power to insure that the drill bit is properly installed. Keep the drill cutting at all times while in contact with the metal. A steady and uniform pressure should be applied at all times to insure continuous cutting. The drill will become excessively hot if permitted to turn on the metal without cutting. When the drill point is about ready to break through the metal, ease up on the pressure. This point is noted by the difference in pressure and cutting feel. Don't permit the drill to project through the hole. When the hole is complete, remove the drill immediately by pulling it back as it continues to turn in a clockwise direction. A drilled hole will often have rough edges or burrs on both surfaces. To remove these, select a drill bit twice the size of the hole and hand rotate the point against the burrs. When possible insert the drill bit in a file handle when performing this job. Be careful not to de-burr the hole too much. The hole should be a true cylinder and not counter-sunk. When the hole to be drilled is large, a pilot or guide hole should be drilled first. This small hole will help guide the larger drill and will also prevent the larger drill from wandering across the metal.

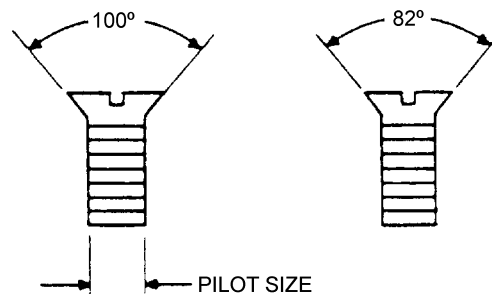
52.5.5.1 Removing Rivets. To remove a defective rivet or to disassemble a unit joined by rivets, use the following procedure:

- a. Select a twist drill equal in size or smaller than the rivet shank.
- b. Drill into the exact center of the head to a depth equal to the head thickness.
- c. Insert a pin punch in the hole and pry off the rivet head.
- d. Drive the rivet shank out of the metal with a pin punch.

52.5.5.2 Drilling Safety Practices. A misused drill can result in personal injury. When performing a drilling operation, the following safety precautions should be adhered to:

- a. Be sure that the drill selected is of the proper size, free of rust, and that the flutes are clean.
- b. Keep the drill bit tight in the chuck.
- c. Be sure that the drill motor switch is off when inserting the line cord into the receptacle.
- d. Never use a bent drill.
- e. Be certain that the cutting edges and point are not dulled.
- f. Be sure that the metal stock is properly secured.
- g. Always wear safety glasses.
- h. Turn off the drill motor before laying it down.

52.5.6 **Countersinks.** Countersinks are used to bevel the end of drilled holes to fit screw and bolt heads of the countersink type. The countersink stocked at the sites is equipped with a micrometer adjustment (adjustable to 0.001 inch) and a stop pin that prevents the countersink from cutting deeper than the desired depth. The micrometer adjustment of this tool is calibrated and operates identically to the micrometer caliber described in TO 32-1-2. The countersink is designed to hold a variety of sizes of cutting heads, both in 82 degree and 100 degree point angles. The reason for the two different point angles is that, at a site, screws and bolts are available with two different types of countersunk heads (Figure 52-2). The countersink cutting heads are also designated according to the size of the hole being countersunk, which is, in effect, the minor diameter of the screw that will be used. This measurement is the diameter of the countersink cutter pilot. The purpose of the pilot is to insure that the countersunk hole is concentric with the screw hole. The micrometer stop countersink tool and the various cutting heads are illustrated in TO 32-1-2.

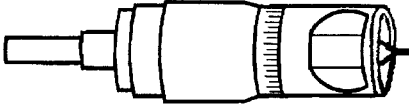
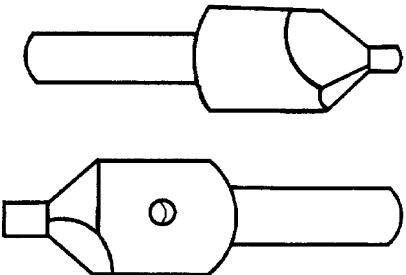


TO-32-1-101-779

Figure 52-2. Countersink Angles

52.5.6.1 **Using the Countersink.** The following procedure is employed when using the countersink: (Figure 52-3).

- a. When using the countersinks always wear safety glasses.
- b. Select the desired countersink cutter according to point angle and pilot size.
- c. The countersink unit is then attached to a drill motor.
- d. Adjust the micrometer stop to the desired depth. This will be slightly more than the thickness of the head. Head thickness measurements for most of the screws available at the site will be found in the Coded Parts List.
- e. Be sure that the unit is properly secured in the drill chuck before turning on power.
- f. Hold the countersink guard in the left hand and the drill motor in the right hand. Never turn on power without holding the countersink guard.
- g. When possible, countersink a test hole in scrap stock to insure that the dimensions are correct.
- h. Countersink the hole approximately half way, then remove the tool and check the hole.
- i. Countersink the remainder of the hole until the guard collar rests on the metal.
- j. Examine the finished job to insure that the hole is round and even and that the screw fits properly.

	<p style="text-align: center;">MICROMETER STOP COUNTERSINK</p> <p>PART NO. 3204375 - COUNTERSINK TOOL</p> <p>PART NO. 3204386 - COMPLETE KIT</p>																																	
	<p style="text-align: center;">COUNTERSINK CUTTERS</p> <table border="1" style="width: 100%; border-collapse: collapse;"> <thead> <tr> <th style="width: 60%;"></th> <th style="width: 20%; text-align: center;">POINT ANGLE</th> <th style="width: 20%; text-align: center;">PILOT DIAMETER</th> </tr> </thead> <tbody> <tr> <td>PART NO. 3204376</td> <td style="text-align: center;">82</td> <td style="text-align: center;">0.098 IN</td> </tr> <tr> <td>PART NO. 3204377</td> <td style="text-align: center;">82</td> <td style="text-align: center;">0.128 IN</td> </tr> <tr> <td>PART NO. 3204378</td> <td style="text-align: center;">82</td> <td style="text-align: center;">0.159 IN</td> </tr> <tr> <td>PART NO. 3204379</td> <td style="text-align: center;">82</td> <td style="text-align: center;">3/16 IN</td> </tr> <tr> <td>PART NO. 3204380</td> <td style="text-align: center;">82</td> <td style="text-align: center;">1/4 IN</td> </tr> <tr> <td>PART NO. 3204381</td> <td style="text-align: center;">100</td> <td style="text-align: center;">0.098 IN</td> </tr> <tr> <td>PART NO. 3204382</td> <td style="text-align: center;">100</td> <td style="text-align: center;">0.128 IN</td> </tr> <tr> <td>PART NO. 3204383</td> <td style="text-align: center;">100</td> <td style="text-align: center;">0.159 IN</td> </tr> <tr> <td>PART NO. 3204384</td> <td style="text-align: center;">100</td> <td style="text-align: center;">3/16 IN</td> </tr> <tr> <td>PART NO. 3204385</td> <td style="text-align: center;">100</td> <td style="text-align: center;">1/4 IN</td> </tr> </tbody> </table>		POINT ANGLE	PILOT DIAMETER	PART NO. 3204376	82	0.098 IN	PART NO. 3204377	82	0.128 IN	PART NO. 3204378	82	0.159 IN	PART NO. 3204379	82	3/16 IN	PART NO. 3204380	82	1/4 IN	PART NO. 3204381	100	0.098 IN	PART NO. 3204382	100	0.128 IN	PART NO. 3204383	100	0.159 IN	PART NO. 3204384	100	3/16 IN	PART NO. 3204385	100	1/4 IN
	POINT ANGLE	PILOT DIAMETER																																
PART NO. 3204376	82	0.098 IN																																
PART NO. 3204377	82	0.128 IN																																
PART NO. 3204378	82	0.159 IN																																
PART NO. 3204379	82	3/16 IN																																
PART NO. 3204380	82	1/4 IN																																
PART NO. 3204381	100	0.098 IN																																
PART NO. 3204382	100	0.128 IN																																
PART NO. 3204383	100	0.159 IN																																
PART NO. 3204384	100	3/16 IN																																
PART NO. 3204385	100	1/4 IN																																

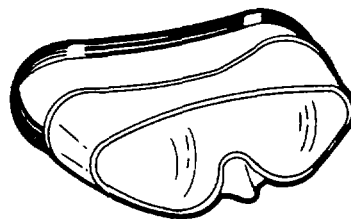
TO-32-1-101-780

Figure 52-3. Countersink Tool

52.6 USING THE PORTABLE ELECTRIC HAMMER.

WARNING

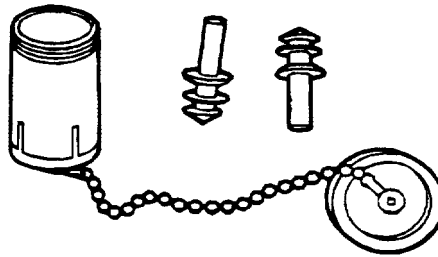
Before using any electrical tool, always make certain the tool is equipped with proper grounding features. Failure to have proper grounding can result in serious shock.



TO-32-1-101-200

WARNING

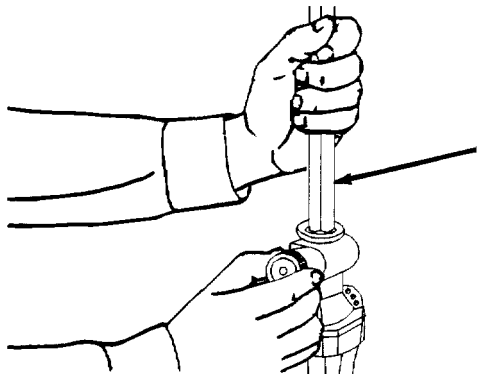
Always wear proper eye protection when working where flying particles can cause eye injury.



TO-32-1-101-781

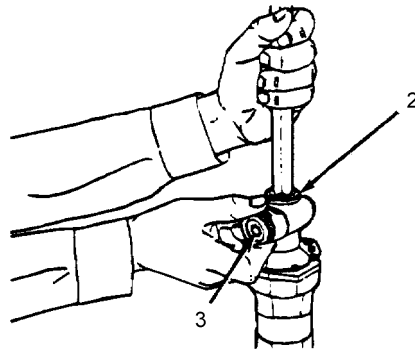
WARNING

The electric hammer produces hazardous noise levels when in operation. Always wear proper protection to avoid possible hearing loss.



TO-32-1-101-782

- a. Select the correct attachment (1) required for the task.



TO-32-1-101-783

- b. Insert attachment into bit retainer (2) and secure in place with locking collar (3).



To prevent unnecessary wear of precision parts and components, place bit against work surface before operating switch.



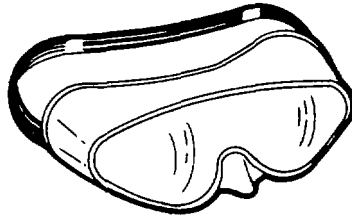
TO-32-1-101-784

- c. Connect hammer (4) to power source and depress handle trigger.
- d. Apply only enough pressure to keep the bit in contact with working surface.
- e. Occasionally stop the hammer and clear dust or other residue from the working surface.

52.7 USING THE PORTABLE ELECTRIC IMPACT WRENCH.

WARNING

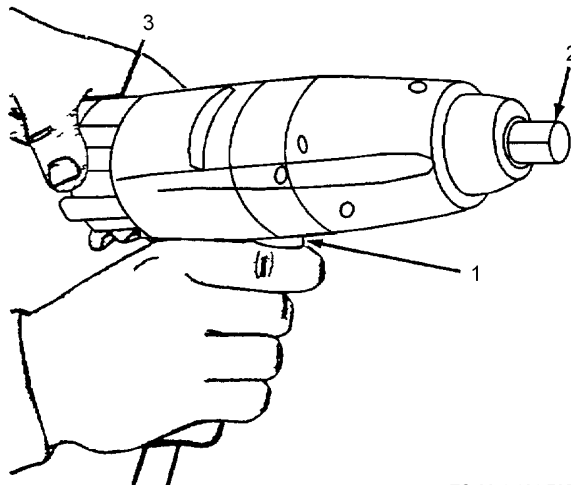
Before using any electrical tool, always make certain the tool is equipped with proper grounding features. Failure to have proper grounding can result in serious shock.



TO-32-1-101-200

WARNING

Always wear proper eye protection when working where flying particles may cause eye injury.

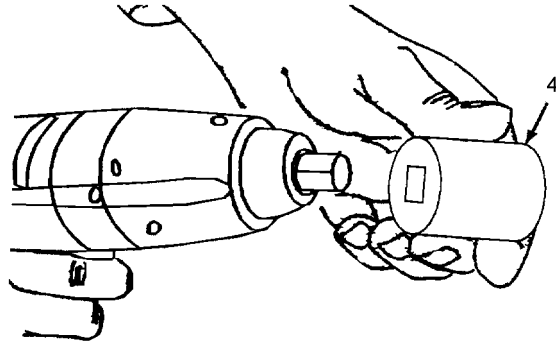


TO-32-1-101-785

Before start of work make sure impact wrench and its reversible features are functioning properly in the following manner:

- a. Connect cord to power source.
- b. Depress trigger (1) and note the rotating direction of the driving anvil (2).
- c. Stop the wrench and adjust the ratchet switch (3) to reverse the direction.
- d. Start the wrench again making sure the driving anvil is now rotating in the opposite direction.
- e. Repeat Step b through Step d several times to make sure the wrench is reversing consistently.
- f. Disconnect impact wrench from power source.

- g. Replace the wrench if it does not perform in the above manner.

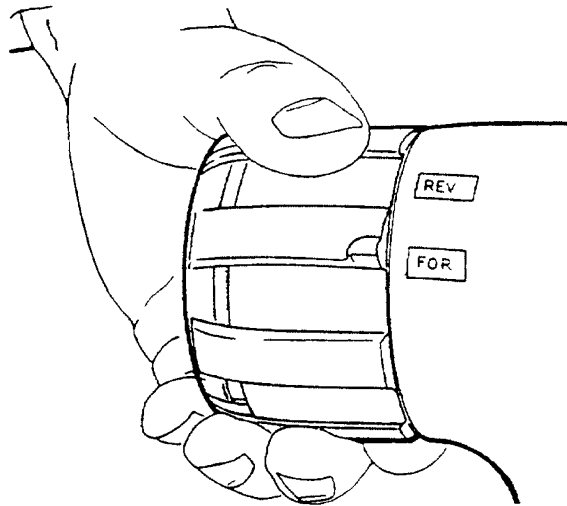


TO-32-1-101-786

WARNING

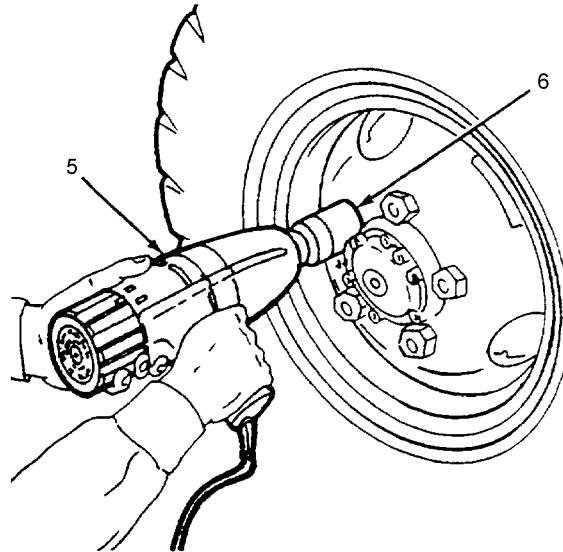
Do not use standard sockets with any impact tool they can shatter causing serious injury and/or damage to the equipment.

- h. Select the proper attachment (4) and secure it in place on the driving anvil.



TO-32-1-101-787

- i. Set the ratchet switch in desired position for anvil rotation required. Reconnect impact wrench to power source.



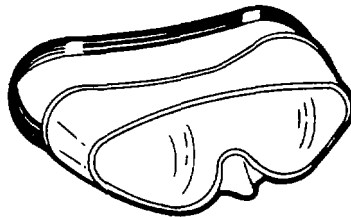
TO-32-1-101-788

- j. Using both hands, place impact wrench (5) on work surface (6) and depress trigger.
- k. Continue operation until work is completed. Release trigger to stop wrench.

52.8 USING THE PORTABLE ELECTRIC CIRCULAR SAW.

WARNING

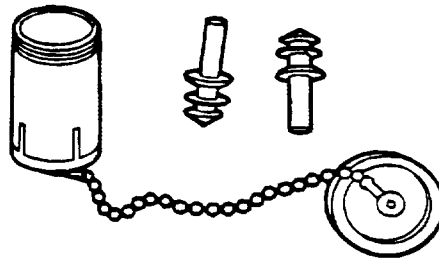
Before using any electrical tool, always make certain the tool is equipped with proper grounding features. Failure to have proper grounding can result in serious shock.



TO-32-1-101-200

WARNING

Always wear proper eye protection when working where flying particles may cause eye injury.

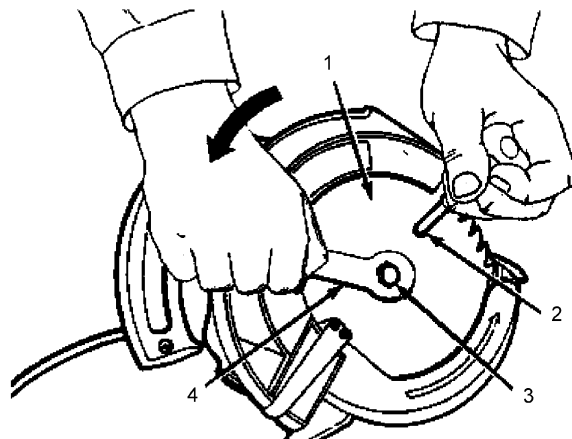


TO-32-1-101-789

WARNING

The electric circular saw produces high noise levels when in operation. Always wear proper protection to avoid possible hearing loss.

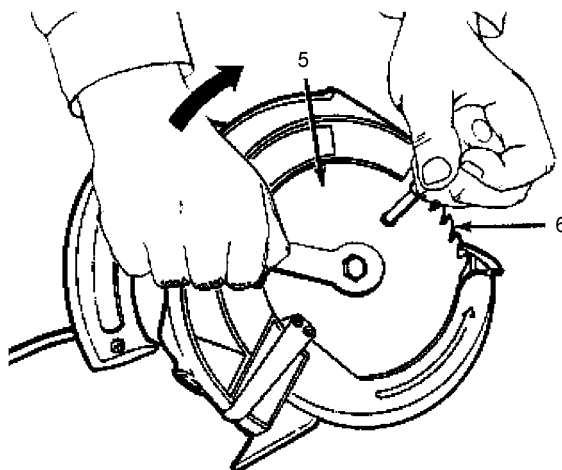
Select the proper saw blade for the task and attach as follows:



TO-32-1-101-790

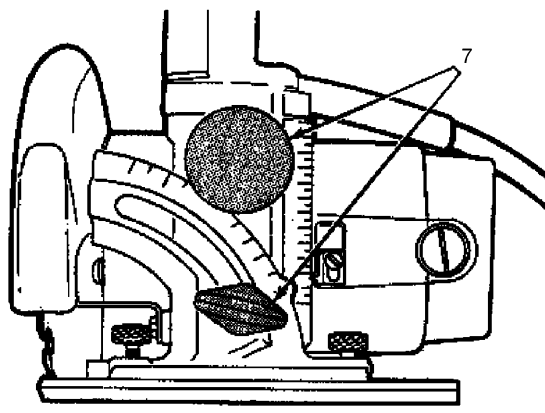
- a. Make sure power to saw is disconnected.
- b. To change saw blades, lock the old blade (1) on the saw by inserting a punch, screwdriver, nail, etc, in blade hole (2) provided.

- c. Remove the old blade by removing the saw clamp screw and flange (3), using wrench (4) provided. Turn the wrench counterclockwise to loosen blade.



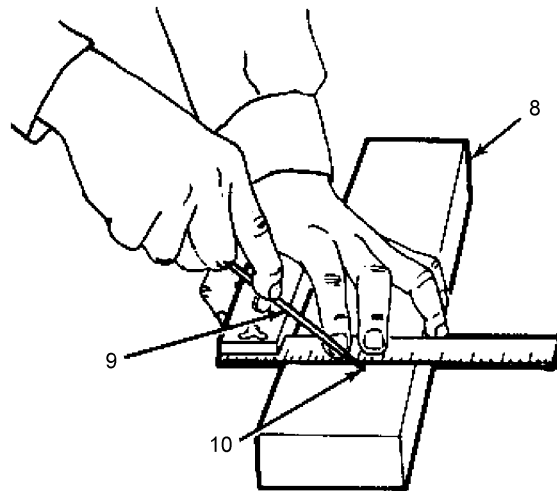
TO-32-1-101-791

- d. Install new saw blade (5) on saw, and make sure teeth (6) are in the correct cutting direction (upwards toward saw).
- e. Tighten clamp and flange screw by turning wrench clockwise.



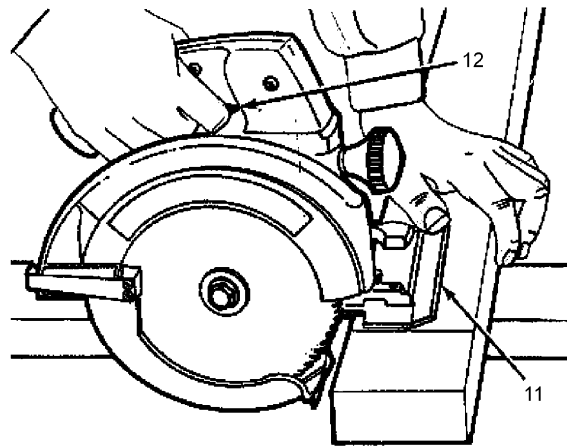
TO-32-1-101-792

- f. Set the saw's guides (7) to the correct angle and depth of the cut required.



TO-32-1-101-793

- g. Make sure the work (8) to be cut is firmly secured to prevent slippage or movement.
- h. With a marking instrument (9) such as a pencil, pen, scribe, etc., draw a straight line (10) across the work surface to act as a guide for the saw blade to follow.



TO-32-1-101-794

- i. Connect circular saw to power source and place sole plate (11) on work surface.

CAUTION

The saw blade must be revolving at full speed before it contacts the work surface. Failure to comply could result in damage to, or destruction of, equipment or loss of mission effectiveness.

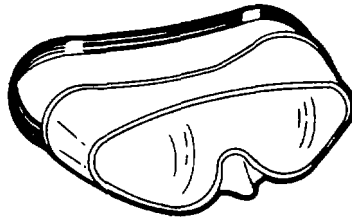
- j. Depress handle trigger (12) to start saw and follow guideline made in Step h.

- k. When cutting, apply firm, steady pressure. Be careful not to force the saw.
- l. Continue until blade has completed the entire cut. Release trigger to stop saw.

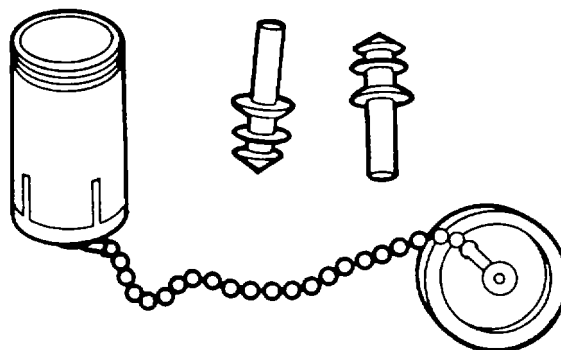
52.9 USING THE ELECTRIC CHAIN SAW.

WARNING

- Before using any electrical tool, always make certain the tool is equipped with proper grounding features. Failure to have proper grounding can result in serious shock. Always wear proper eye protection when working where flying particles may cause eye injury.



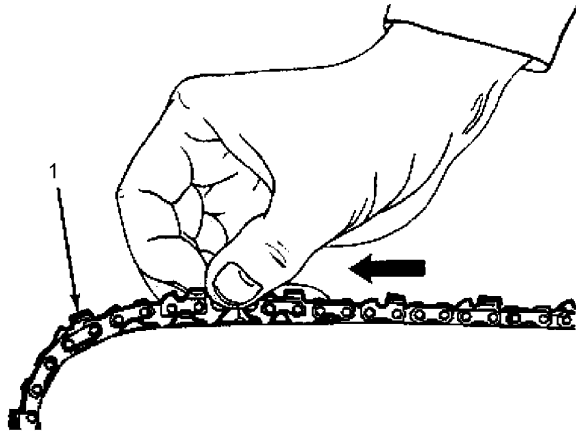
TO-32-1-101-200



TO-32-1-101-795

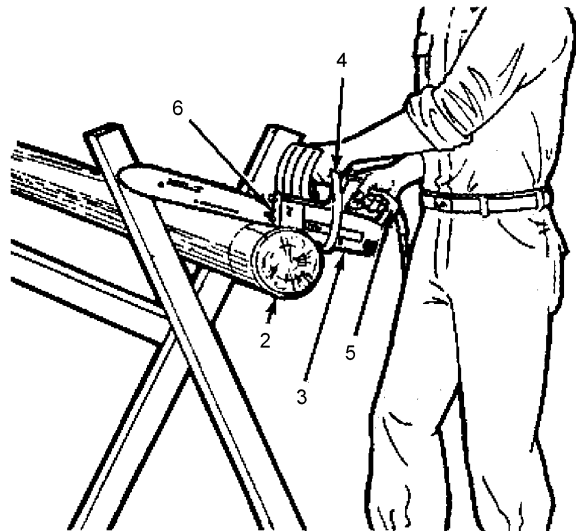
**AIR FORCE AIR FORCE TO 32-1-101
ARMY ARMY TM 9-243
MARINE CORPS MARINE CORP TM 10209-10/1
NAVY (NAVAIR) NAVY M6290-AJ-MAN-1010**

- The electric chain saw produces high noise levels when in operation. Always wear proper protection to avoid possible hearing loss.



TO-32-1-101-796

- Make sure power source is disconnected. Before using, ensure that the chain teeth (1) are in the proper position (saw should cut in direction of arrow).
- Check the teeth to make sure they are sharp and undamaged.



TO-32-1-101-797

- Ensure that the work (2) is stationary and well secured to prevent slippage or movement.
- Connect chain saw to power source.

WARNING

Never stand directly behind chain saw. Failure to comply could result in injury to, or death of, personnel or long term health hazards.

- e. Stand to the left of the saw (3) with your left hand on the front handle (4) and your right hand on the rear handle (5).

NOTE

Reverse the position of the stance and hands if left-handed.

- f. With your weight evenly distributed, depress trigger to start saw.

WARNING

When cutting, keep the nose of the guide bar from contacting logs, branches, ground or any other obstruction. This can cause “Kickback” which is a quick and dangerous upward movement of the guide bar and saw chain.

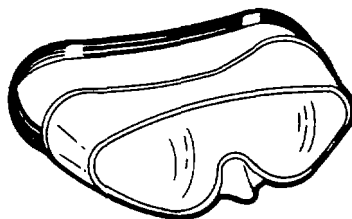
CAUTION

The saw chain should be at maximum speed before contacting working surface. Failure to comply could result in damage to, or destruction of, equipment or loss of mission effectiveness.

- g. Cut with the spike bar (6) set firmly against the wood and apply right pressure.
- h. Continue to guide the chain saw through the work until cut is completed.

WARNING

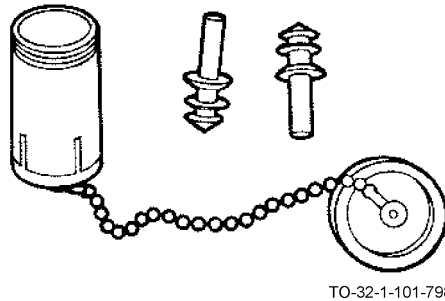
Before using any electrical tool, always make certain the tool is equipped with proper grounding features. Failure to have proper grounding can result in serious shock.



TO-32-1-101-200

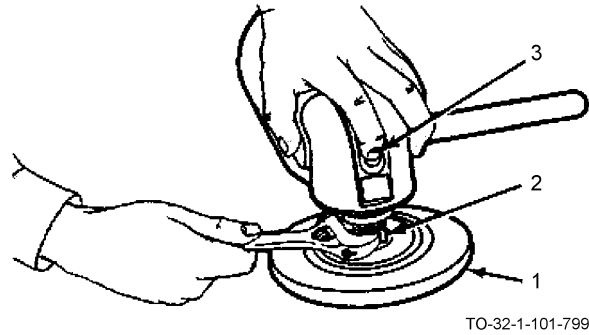
WARNING

Always wear proper eye protection when working where flying particles may cause eye injury.

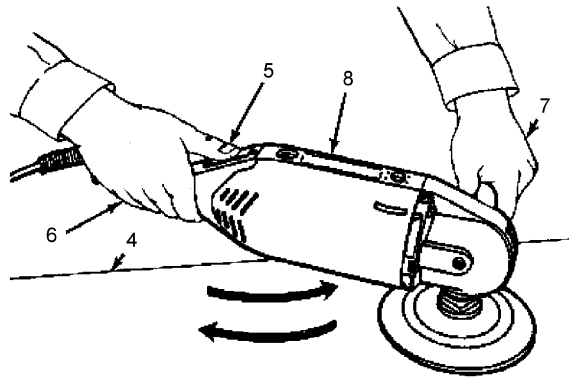


WARNING

The electric sander produces hazardous noise levels when in operation. Always wear proper protection to avoid possible hearing loss.



- i. Select the proper attachment (1) and secure it to the spindle (2) by depressing locking button (3) and tightening spindle as shown.



TO-32-1-101-800

- j. Make sure the work surface (4) is secured to prevent movement.
- k. Connect sander to power source. Depress switch (5) on the sander so that the attachment is turning before placing it on the work surface.

CAUTION

Using excessive pressure will slow up the sanding action, clog the disk, and cause motor to overheat.

- l. With one hand on each handle (6) and (7), begin sweeping the sander (8) back and forth across the work surface.
- m. During operation, tilt the sander slightly so the entire disk does not contact the work surface.
- n. Brush or clean the sanding dirt from the work surface frequently.
- o. When finished, lift the sander from the work surface before turning off the switch.

52.10 CARE OF ELECTRIC POWER TOOLS.

In order to achieve and maintain maximum performance, all electrical power tools must be given proper care. The following is a list of guidelines that will help keep your power tools in a "ready to use" condition.

- a. Keep all power tools, especially the housing intake and exhaust holes, clear and free of dust and dirt at all times.
- b. Examine power tool cords for exposed loose wires and for damaged insulation.
- c. Wipe power cords frequently to prevent deterioration from oil or grease.
- d. Check cord plugs for loose prongs or cracked casings.
- e. Never hold or drag electrical tools by the cord at any time.

AIR FORCE AIR FORCE TO 32-1-101
ARMY ARMY TM 9-243
MARINE CORPS MARINE CORP TM 10209-10/1
NAVY (NAVAIR) NAVY M6290-AJ-MAN-1010

- f. To prevent rusting, apply a light coat of oil to cutting surfaces of tools.
- g. Store power tools in properly designated containers when not is use.

CHAPTER 53

SOLDERING

53.1 SOLDERING INTRODUCTION.

Soldering that will meet Air Force requirements of no more than 1 error out of each 500,000 soldered connections requires skilled application and integrity. The success of IBM's reliability factor may depend on a satisfactory soldered connection. Consider this down-time comparison. The time spent to find a defective tube, resistor, transformer, or other component part averages half an hour. Isolating a poor soldered connection can take eight hours or longer. Solder is one of the oldest and most useful of alloys. Because of the ease with which it has been used, few people have bothered to acquire the basic, but necessary, background for good soldering techniques. Soft solder is a fusible alloy mainly composed of tin and lead. This alloy makes it possible to join two or more metals at temperatures well below their melting point. The solder-to-metal attachment is formed by an inter-metallic-compound phase which takes place at comparatively low temperatures. The solvent action of hot solder on copper or steel resembles the action of a few drops of water on salt. The solder dissolves microscopic particles of the copper or steel, forming a chemical attachment instead of physical adhesion. Therefore, heating the soft flexible solder during the soldering act causes a chemical change to take place which results in a hard metal alloy. Thus when two or more pieces of metal are soldered together, a joint is formed which acts like one continuous piece of metal. (This is not true of a pure physical connection, such as a bolt or spring, because a layer of oxides always remains between the surfaces.) In addition, the solder alloy withstands the stress and strain of the temperature changes without rupture of the joint. The primary purpose of a soldered joint is to achieve an airtight metallic connection by means of a film of solder alloy, varying in thickness from 0.002 to 0.004 inch between the metal parts; i.e., wire and terminal. When such a connection has been made, it is a waste of time and material to add solder just to improve its appearance; the electrical conductivity has been established with the original bond and will be unaffected by the addition of solder.

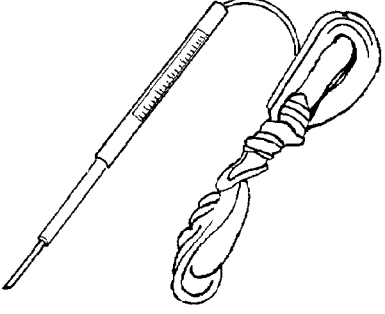
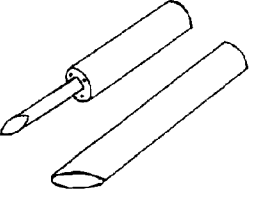
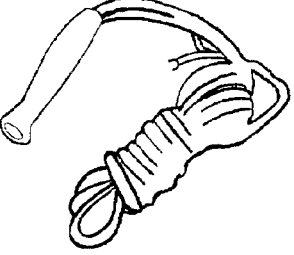
53.2 SOLDERING TOOLS.

Soldering tools are illustrated in Figure 53-1. Five different soldering irons with interchangeable tips, transformers (6.3 Volts Alternating Current (VAC)), heat shunts, soldering iron holders, soldering aids, and an electric solder pot comprise the soldering tools stocked at field locations. The 6.3 VAC soldering irons are to be used with the available transformer which has four wattage taps: 26, 29, 32, and 35. Always use the lowest wattage necessary for the work. In most cases 26 watts will be sufficient for electrical soldering. The interchangeable copper tips are coated with iron, 0.008 inch thick, to reduce scaling and wear caused by tin-copper alloying. The tip is pre-tinned by dipping into pure tin. These tips should never be filed. To clean the tip and remove oxidation wipe it with a cleaning pad. The heat shunt is proved for use when working with delicate precision components such as transistors, diodes, miniature capacitors, and chokes. The excessive heat of the soldering iron will damage the component if the heat shunt, which dissipates heat, is not used.

53.3 BASIC SOLDERING TECHNIQUES.

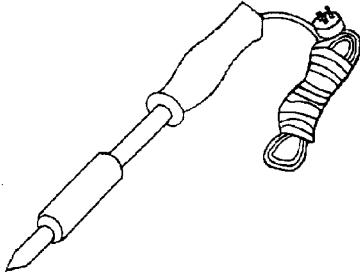
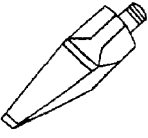
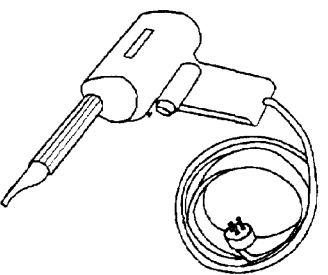
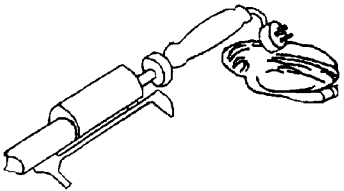
The following general rules, while not all-inclusive, are applicable to the majority of soldering work to be performed.

53.3.1 Temperatures. When soldering with rosin core solder, temperatures in excess of 600 degrees Fahrenheit (°F) must be avoided or the rosin will tend to carbonize and hinder rather than aid the soldering operation. Efficient soldering is promoted by using a soldering iron with adequate heat storage capacity. Such a device will maintain proper operating temperature in use. No attempt to solder must be made by heating an undersize or otherwise inadequate soldering iron to excessive temperature.

	<p>SOLDERING IRON</p> <p>6 VOLTS 10 WATTS WITH REPLACEABLE TIPS.</p>
	<p>TIPS</p>
	<p>SOLDERING IRON</p> <p>6 VOLTS 25 - 35 WATTS WITH REPLACEABLE TIPS.</p>
<p>(NO PHOTO AVAILABLE)</p>	<p>TIPS</p> <p>3/16 - INCH PYRAMID 3/16 - INCH CHISEL</p> <p>USED AS REPLACEMENT TIPS FOR SOLDERING IRONS HANDLE.</p>

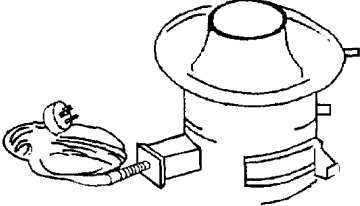
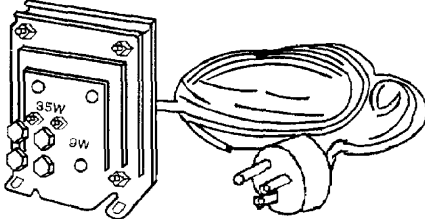
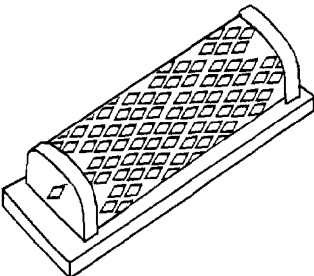
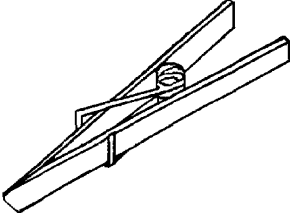
TO-32-1-101-801

Figure 53-1. Soldering Tools and Accessories (Sheet 1 of 4)

	<p>SOLDERING IRON</p> <p>115 VOLTS 110 WATTS WITH REPLACEABLE TIPS.</p>
	<p>TIPS</p>
	<p>SOLDERING GUN</p> <p>GUN LEFT HOUSING RIGHT HOUSING TIPS</p>
	<p>SOLDERING IRON</p> <p>115 VOLTS 550 WATTS</p>

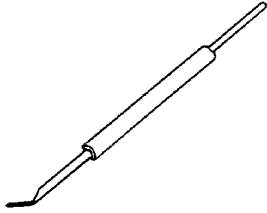
TO-32-1-101-802

Figure 53-1. Soldering Tools and Accessories (Sheet 2)

 A line drawing of a cylindrical solder pot with a conical top and a power cord with a three-pronged plug.	<p>SOLDER POT</p> <p>USED FOR DIP SOLDERING.</p>
 A line drawing of a transformer with a rectangular metal case, four binding posts on the front, and a power cord with a three-pronged plug.	<p>TRANSFORMER</p> <p>4 TAPS</p> <p>PLASTIC BINDING POSTS</p>
 A line drawing of a rectangular holder with a grid of small square holes and a curved top edge.	<p>HOLDER</p>
 A line drawing of a heat shunt, which consists of two parallel metal strips held together by a central screw.	<p>HEAT SHUNT</p>

TO-32-1-101-803

Figure 53-1. Soldering Tools and Accessories (Sheet 3)

	SOLDERING AID
ACCESSORIES	
BAR SOLDER (60/40)	3% SILVER SOLDER USED ON OSCILLOSCOPE CERAMIC TERMINAL BLOCKS.
ROLL SOLDER 0.032 0.045 0.062	LIQUID FLUX

TO-32-1-101-804

Figure 53-1. Soldering Tools and Accessories (Sheet 4)

53.3.2 **Heating.** The surfaces of the parts to be joined must be heated to a temperature above the flow temperature of the solder (400-600 °F for 60/40 flux cored solder). The joint will reach this temperature in less than 30 seconds. The more massive portion of the joint should be heated first, allowing the heat to be conducted to the less massive portion. Heat may be applied by soldering iron, molten alloy bath, or other suitable means. When using cored wire solder, the end should be kept open. To be effective, the flux must flow before the solder melts when touched to the joint. Flux core solder should never be flowed from the soldering iron to the joint (Figure 53-2). The application of heat should be carefully controlled during the soldering operation to prevent damage to other components of an assembly, such as fabric and insulation material.

NOTE

When working on vertical terminals, tin only one surface of the iron to restrict solder flow to that side.

53.3.3 **Cooling.** Liquids are not to be used to cool a soldered joint. By using proper solder and soldering techniques a joint will not become so hot that it needs rapid cooling to prevent the wire insulation from charring. In special cases involving assemblies with polystyrene or other low melting point insulation, the insulation may be placed in a cooling bath. However, in no case should the cooling medium contact the soldered joint.

53.3.4 **Copper Bit Soldering Irons.** The heat transmitting ability of copper-bit-soldering irons is seriously impaired by the formation of oxides on the bit surface. The formation of such oxides can be effectively retarded by maintaining a liberal coating of solder on the surface of the bit. Plated tips resist corrosion and last longer because the plating, unlike copper, is not affected chemically by solder. These tips should not be filed or ground on the bench grinder. If cleaning is required, the point of the iron should be dipped in flux and retinned.

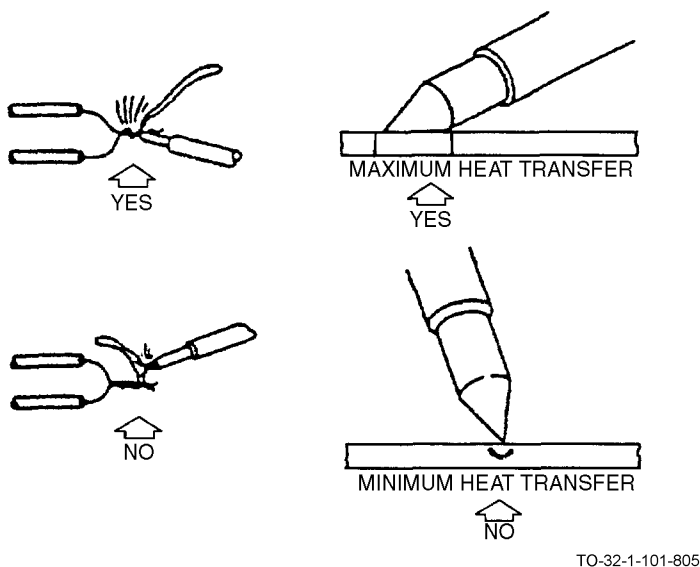


Figure 53-2. Using the Soldering Iron

53.3.5 Flux Residue Removal. After the joint has cooled, the residues from active fluxes can be completely removed or neutralized using Methylene Chloride, Part Number (PN) 3034905 or Tecsolv 928, PN 3034686.

53.4 SOLDERING SAFETY PRACTICES.

The following safety practices shall be observed when soldering:

WARNING

Soldering may result in the emission of hazardous metallic fumes and vapors from fluxes used. Workers should position themselves so as to not directly inhale the fumes or vapors. Local conditions may be evaluated by the Bioenvironmental Engineer. This warning could prevent possible injury to personnel if they comply.

- Safety glasses or appropriate eye protection must be worn while soldering.
- The soldering iron should be placed in the holder when not being used.
- Never try to remove solder from the iron by flicking the iron. This can put solder in the eyes and on clothes; it can also put a short in equipment. Use the cleaning pad provided.
- Be careful to pick the iron up by the handle. Never point with the iron or use it as a tool to straighten terminals.
- Unplug the iron if it is not to be used for a period of time.
- When returning the soldering iron to stock, be sure that all excess solder is removed. It is a good practice to loosen the tip of the iron when not in use: this prevents the tip from corroding tight on the handle.

CHAPTER 54

PAINT APPLICATION

54.1 PAINT APPLICATION INTRODUCTION.

The application of paint to metallic sections of the SAGE Computer does not affect the usability or operation of the equipment. However, it does protect the equipment from corrosion, aids in keeping the equipment clean, protects newly stamped information, and creates a pleasant working atmosphere. To insure that all painting accomplished at the sites meets high quality workmanship standards, the proper method of paint application (both brush and spray) will be explained in this chapter.

54.2 PRE-TREATMENT.

Whenever it is necessary to apply paint to a metallic surface that was not previously painted, or to painted surfaces which contain areas of bare metal (chips, mars, etc.), the metal must be pretreated to prevent corrosion and to insure a good bond between the finish paint and the metal. The method and type of metal being painted and its condition. This information is available in the paint specifications contained in FED 256.

54.3 BRUSH PAINTING.

Under normal conditions, brush painting will only be used when the area to be painted is very large. Most touch up work will be done by spray painting. The procedure to use when brush painting is as follows:

- a. Clean the metal to be painted, using approved cleaning agents. All grease, rust, etc., must be removed. Corroded areas can be shaped using 220 grit or coarser sand paper.
- b. Apply one coat of zinc chromate primer (PN 3034741). Allow to dry.
- c. Apply paste filler (PN 3034740) where required and allow it to dry.
- d. Sand filled areas if required. (Use a fine grit sandpaper. Preferably 240 or 600 grit.)
- e. Apply one coat of grey primer sealer (PN 3034742) and allow it to dry.
- f. Apply the final coat of the desired color. First brush in one direction, then finish by brushing in a direction 90 degrees from the first application. It is better to apply two thin coats, 90 degrees from each other, than one heavy coat.

NOTE

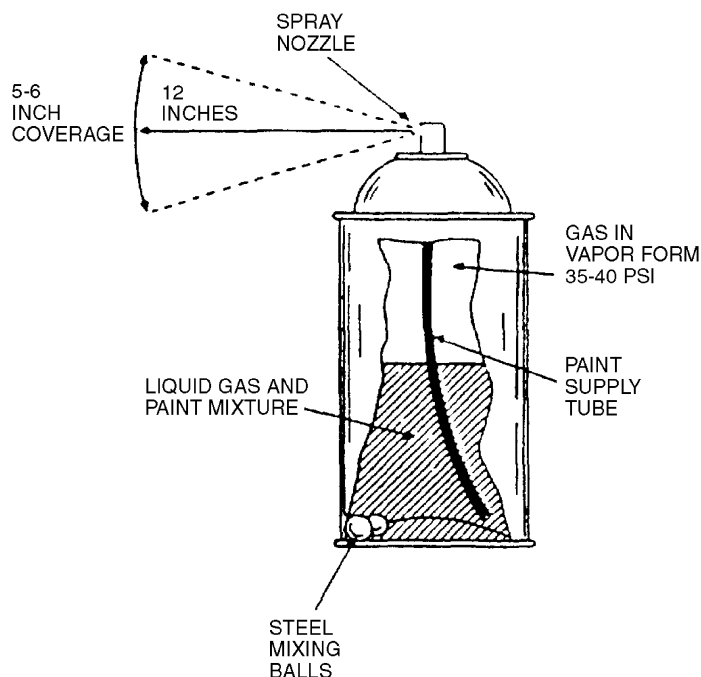
Drying time can be accelerated by using the infrared lamp, PN 3034800.

54.3.1 Care of Paintbrushes. A paintbrush is made up of three parts: handle, ferrule, and bristles. The ferrule is the metal band holding the bristles in place and to the handle. The heel of the bristles is the portion of the bristles adjacent to the ferrule. To keep a brush in good shape, clean paint or enamel from it after each use. Work it out turpentine or its equivalent. In doing this, avoid pressing the brush down edgeways on the bristles as this will force them out of shape. Work the solvent well into the heel. To remove paint clinging to the bristles., lay the brush flat on a board and scrape the bristles carefully with a blunt knife. Work the solvent in again and scrub out the loose paint, working from the ferrule toward the tip of the brush. Rinse again in thinner and rinse out as much as possible. Never use paint remover as it will ruin a brush.

54.4 SPRAY PAINTING.

Spray painting is perhaps the most convenient method of applying paint to any given surface. There are no brushes to clean and no paint to mix or stir. Just a shake of the aerosol can and the pressing of the paint release button accomplishes the painting task. To better understand how to use a spray paint, a brief description of its operation is necessary.

54.4.1 Aerosol Can Operation. Spray cans (Figure 54-1) contain about 50 percent paint; the remainder of the contents is a liquid gas. This liquid gas is mixed with the paint and is the propellant that forces the paint from the can.



TO-32-1-101-806

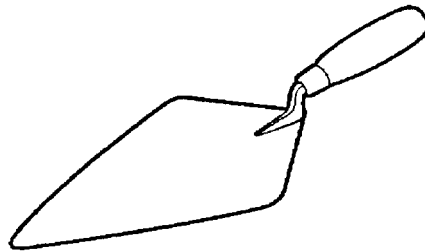
Figure 54-1. Aerosol Spray Can

54.4.2 Using Aerosol Paint. Prior to using a spray paint, always read the manufacturer's instructions which will usually provide all the information necessary. To assure even color and a smooth spray, shake the can to mix the paint. The majority of spray cans contain several steel balls that, when agitated, mix the paint. A good indication of complete mixing of the paint is the sound of the steel balls moving freely within the can. If the paint is not completely mixed, the sound will be somewhat muffled. When the paint is first removed from stock, continue to agitate the can for a few minutes after hearing the steel balls to insure a complete mixture of the pigment. Before spraying the desired surface, spray some paint on a piece of paper or scrap material. A can that has been standing for a period of time may give an intermittent spray for a short period of time before operating smoothly. Hold the spray can as parallel to the work as possible at a distance of approximately 12 inches. Move the spray across the area to be painted triggering the spray as it approaches the near end of the area to be painted and releasing the pushbutton as it passes beyond the far edge of the work. With the majority of paints it is best to apply two thin coats rather than one heavy coat. However, wrinkle paints must be applied in one coat. This coat must be heavy enough to cover the area and still not sag or run. If there is paint in the can but only gas is released when the spray is triggered, it is possible that the can is being held in such a position that the paint supply tube is positioned incorrectly. To correct this, attempt to hold the can in a more vertical position or if this is not possible rotate the spray valve a slight amount. This will rotate the supply tube into the paint. When the job is complete, clean the spray nozzle before returning the can to stock. This is accomplished by inverting the can and depressing the pushbutton until only gas is emitted from the spray nozzle. Often the area to be painted is adjacent to a component or some surface that should not be painted. These areas should be covered before painting. A method of controlling what is painted is to use a piece of cardboard with a hole cut into it a little larger than the area to be painted. Hold the card a few inches from the surface and spray through the hole in the card.

CHAPTER 55 MISCELLANEOUS TOOLS

55.1 HOW TO CHOOSE AND USE MISCELLANEOUS TOOLS.

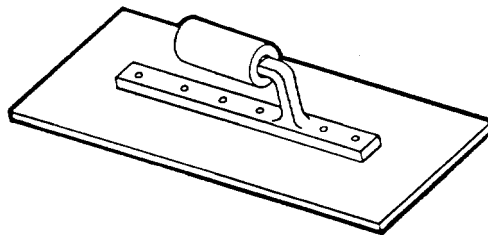
Types and Uses, Paragraph 55.2 provides you with a list of some of the types of miscellaneous tools. These pages should help you select the right miscellaneous tool to do the job. Using, Paragraph 55.4, tells you how to use these various tools to perform the desired function. Care of Miscellaneous Tools, Paragraph 55.7, tells you how to care for the item.



TO-32-1-101-807

55.2 MISCELLANEOUS TOOLS TYPES AND USES.

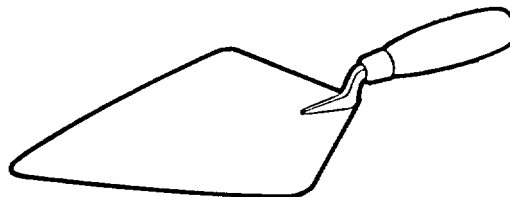
55.2.1 Cement Trowel.



TO-32-1-101-808

The cement trowel is a flat rectangular blade fastened by a metal strap and shank to a wooden handle. It is used in concrete work for leveling, smoothing, or pushing wet cement into place.

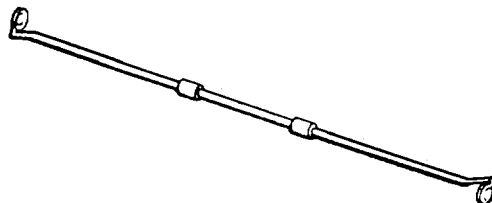
55.2.2 Brick Trowel.



TO-32-1-101-809

This type of trowel has a pointed flat blade at one end, and a steel shank that attaches to a wooden handle at the other. The brick trowel is used to scoop and spread mortar.

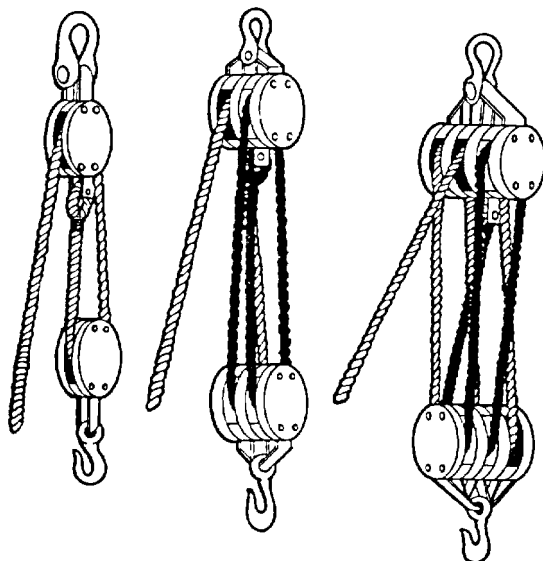
55.2.3 Miner's Spoon.



TO-32-1-101-810

The miner's spoon is used to lift material out of narrow deep holes, in order to clear for further drilling or to permit placing of explosive charges. The miner's spoon is a slender metal rod with the ends forged into small bowl-shaped projections at right angles to the rod.

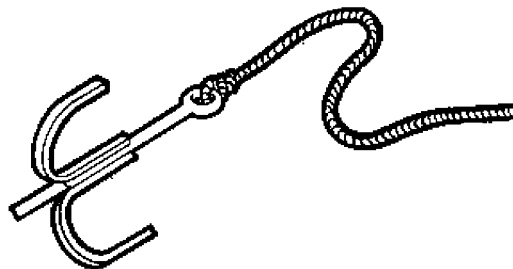
55.2.4 Blocks.



TO-32-1-101-811

Blocks are used in combination with rope and wire to hoist and move loads. The block consists of a metal shell which supports both ends of a pin. The shell also houses a grooved pulley that revolves on the pin. Attached at one end of the first block is a freely revolving hook. Blocks may be classified as single, double, triple, etc. according to the number of pulleys housed in the shell of the block. Depending on the various combinations of blocks available to do the job, the mechanical advantage can be increased indefinitely.

55.2.5 Trip Wire Grapnel.

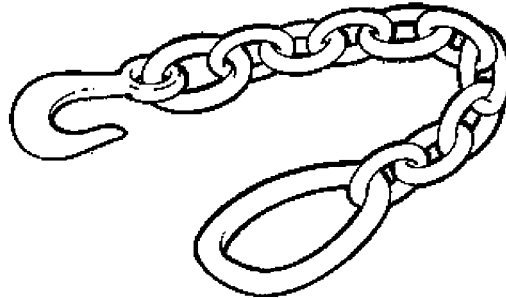


TO-32-1-101-812

The trip wire grapnel is a metal weight resembling three or four fish hooks, with a common shank ending in an eye. The hooks spread out in different directions at the other end of the shank. Attached to the eye portion of the shank is a marlin

cord of varying length. The grapnel is used to trip wires designed to go off on contact, to find booby traps, or to detonate mines.

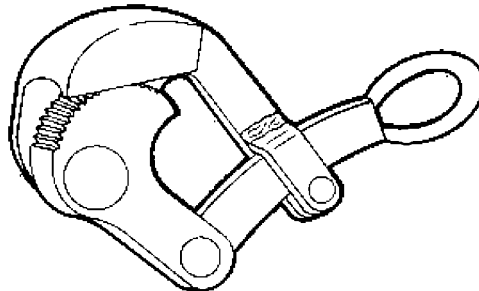
55.2.6 Chain Assembly.



TO-32-1-101-813

The chain assembly is a heavy duty linked chain with a grab hook at one end and a ring at the other. The chain assembly is used for such applications as towing vehicles, slinging loads, and hauling objects. The chain assembly is available in a wide variety of lengths and link sizes depending on the nature of the use.

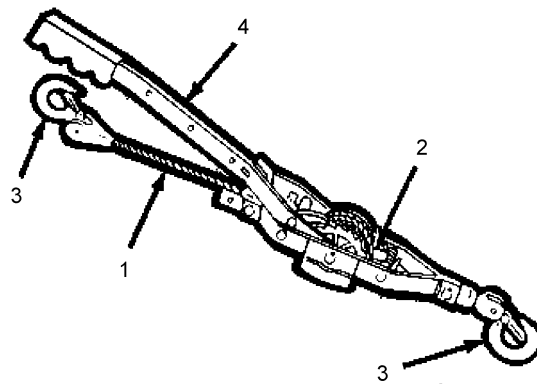
55.2.7 Cable Jaw Grip.



TO-32-1-101-814

The cable jaw grip is used to tighten or stretch wires or cables for various operations. Examples of application include removing kinks or bends in cables, tightening cables on loads or bales, or for cleaning and oiling of cables. Cable grips, depending on their application, vary in size and design.

55.2.8 Tension Puller.



TO-32-1-101-815

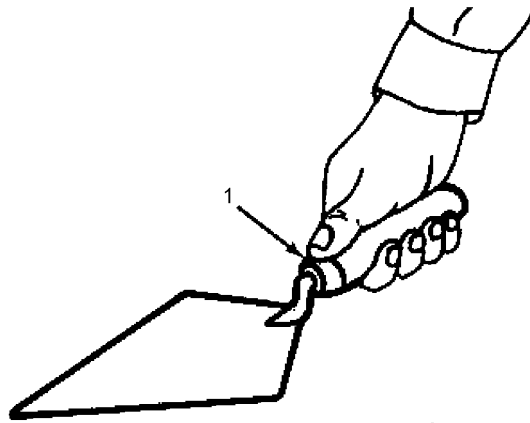
Like the cable jaw grip, the tension puller is used to tighten or stretch cables. The tension puller has strong cable (1) attached to a cable notch gear (2). At the end of the cable is a hook (3). This hook (3) can be attached to the eyelet of the cable to be tightened. Tension is then applied to the cable by moving the tension handle (4) in an up and down motion.

55.3 MISCELLANEOUS TOOL SAFETY.

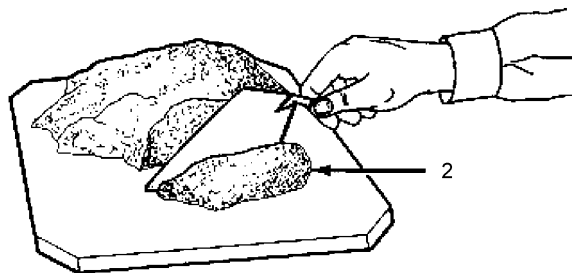
- a. Wash brick trowel, thoroughly wash all mix dust from skin, and remove dusty clothing when finished. Dust ingredients can burn the skin or cause eye injury.
- b. When using the tension puller, be sure the hook (or hooks) is of correct size to hold the cable snugly.
- c. When swinging the trip wire grapnel, hold the rotating tool at a safe distance from the arm.
- d. Be sure tackle used with blocks is safe and meets lifting requirements.
- e. Use each tool only for its designated purpose.

55.4 USING THE BRICK TROWEL.

- a. Hold the trowel with thumb on top of handle (1) for balance and control.

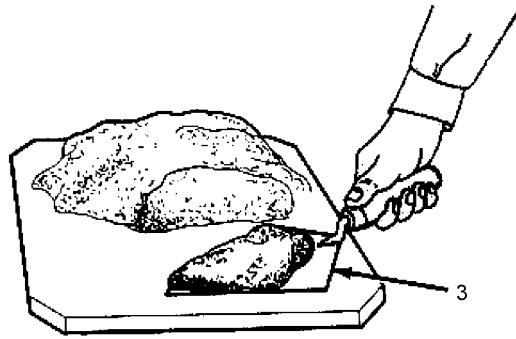


TO-32-1-101-816



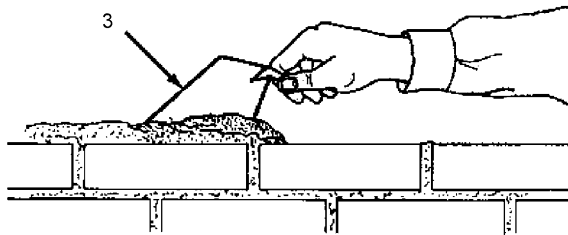
TO-32-1-101-817

- b. Slice off a trowel load of mortar (2).



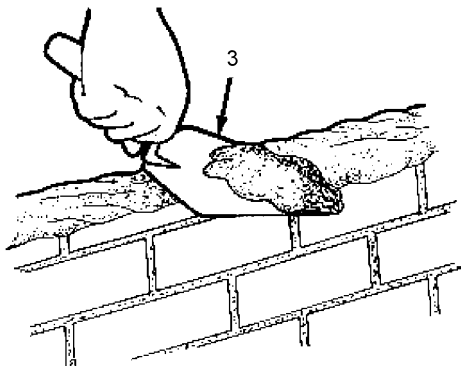
TO-32-1-101-818

- c. Slide the trowel under the mortar, seating it firmly on the blade (3) with a slight jerk of the wrist.
d. Hold the edge of the blade over the center of the work surface.



TO-32-1-101-819

- e. Move the trowel steadily backward, tilting it to slide the mortar gradually from the blade (3), leaving an even bed of mortar on the work surface.

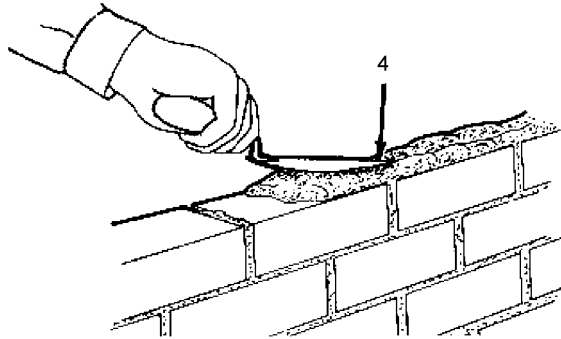


TO-32-1-101-820

- f. Cut off excess mortar after each application by holding the trowel blade (3) slightly angled against the work surface and moving forward.

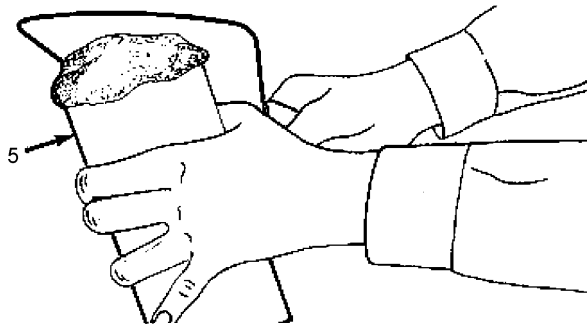
NOTE

Excess mortar should be returned to mortar board or applied to any gaps or uneven areas in the mortar bed.



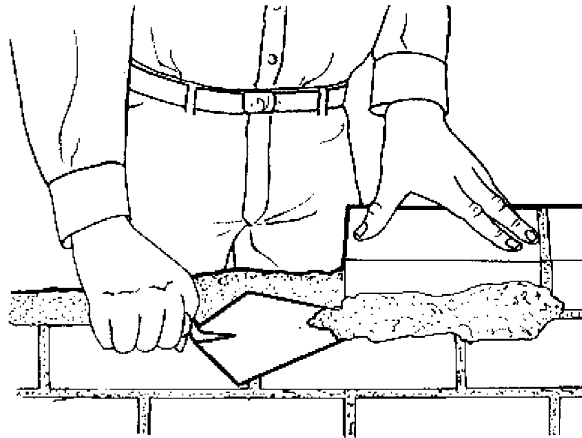
TO-32-1-101-821

- g. To allow enough movement to position bricks, groove the mortar bed with the point (4) of the trowel.



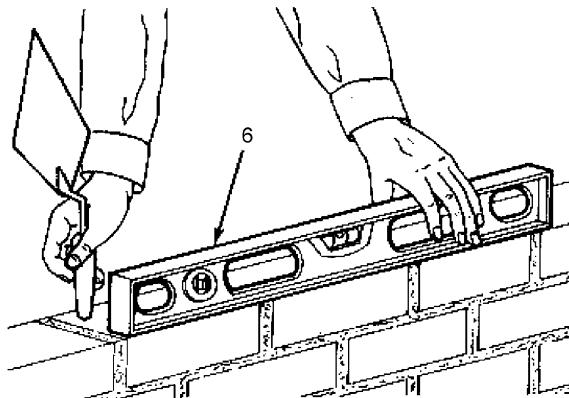
TO-32-1-101-822

- h. Using the trowel, coat the brick ends (5) with mortar before laying them in place.

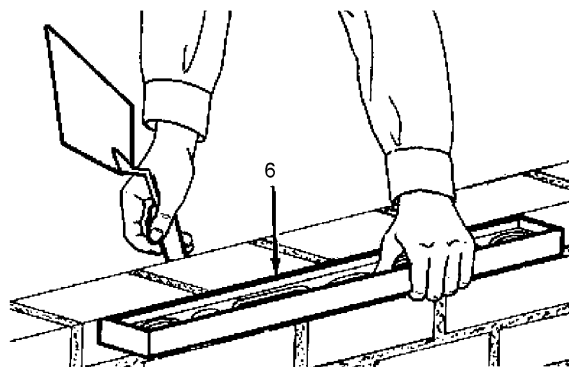


TO-32-1-101-823

- i. Cut off any excess mortar.



TO-32-1-101-824



TO-32-1-101-825

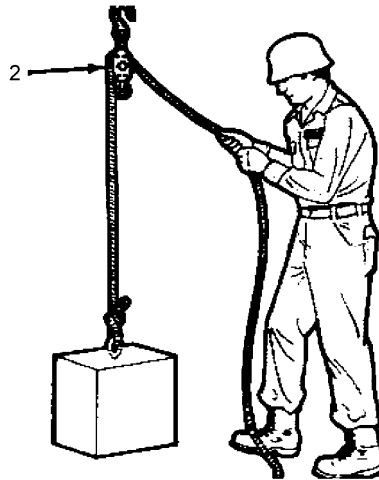
- j. Lay enough bricks to cover the mortar bed and tap into line using a builder's level (6).

55.5 USING THE BLOCK.

- a. Secure one end of the rope or ropes to the load (1) to be moved.



TO-32-1-101-826

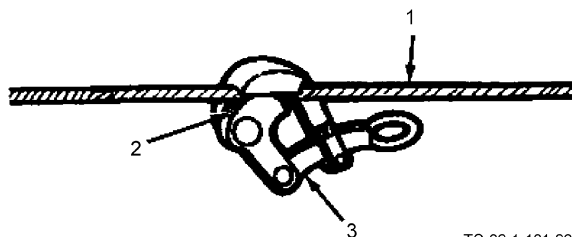


TO-32-1-101-827

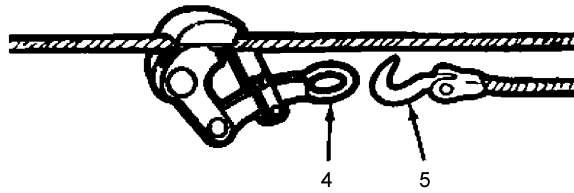
- b. Pass the other end of the rope over the pulley (2) of the block attached to some type of solid support.
c. Apply the necessary manpower to the end of the rope to lift the load.

55.6 USING THE CABLE JAW GRIP AND TENSION PULLER.

- a. Place end of cable (1) between jaws (2) of cable jaw grip (3) (from jaw end of tool).

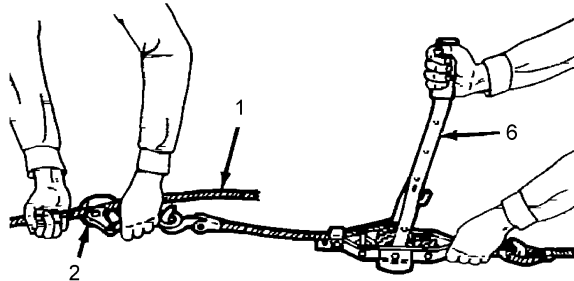


TO-32-1-101-828



TO-32-1-101-829

- b. Fasten eye (4) to tension puller hook (5).



TO-32-1-101-830

- c. Hold the jaws (2) together over cable (1). Apply pressure with tension puller handle (6).
- d. Apply pressure until cable (1) is stretched to make the jaws (2) hold the cable firmly.
- e. Continue pressure using handle of tension puller (6) until desired pressure is reached.

55.7 CARE OF MISCELLANEOUS TOOLS.

- a. Clean all tools thoroughly after using.
- b. Store tools in approved area to prevent damage.
- c. Oil all rustable parts of tools before storing.

WARNING

Linseed oil is a flammable liquid. To avoid personal injury, properly dispose of all cleaning rags in noncombustible containers.

- d. Prevent wooden parts of tools from drying out by applying linseed oil occasionally.
- e. Do not use a brick trowel to pry bricks or rocks loose.
- f. Never oil pulley grooves.
- g. Inspect tools frequently, especially pins in blocks.
- h. Never use a damaged chain assembly. Replace damaged chain links promptly.
- i. Always use the proper size and design of cable jaw grips for each task. Using the wrong size or style can be dangerous.

Table 55-1. Decimal Equivalent Chart

Item				Characteristics					
1/16	1/32	1/64	0.0156	9/16	17/32	33/64	0.5156		
			0.0313					33/64	0.5313
		3/64	0.0469					33/64	0.5469
1/8	3/32	5/64	0.0625	5/8	19/32	37/64	0.5625		
			0.0781					37/64	0.5781
		7/64	0.0938					39/64	0.5938
3/16	5/32	9/64	0.1094	11/16	21/32	41/64	0.6094		
			0.1250					41/64	0.6250
		11/64	0.1406					43/64	0.6406
1/4	7/32	13/64	0.1563	3/4	23/32	45/64	0.6563		
			0.1719					45/64	0.6719
		15/64	0.1875					47/64	0.6875
5/16	9/32	17/64	0.2031	13/16	25/32	49/64	0.7031		
			0.2188					49/64	0.7188
		19/64	0.2344					51/64	0.7344
3/8	13/32	21/64	0.2500	7/8	27/32	53/64	0.7500		
			0.2656					53/64	0.7656
		23/64	0.2813					55/64	0.7813
7/16	15/32	25/64	0.2969	15/16	29/32	57/64	0.7969		
			0.3125					57/64	0.8125
		27/64	0.3281					59/64	0.8281
1/2		29/64	0.3438	1	31/32	61/64	0.8438		
			0.3594					61/64	0.8594
		31/64	0.3750					63/64	0.8750
			0.3906			63/64	0.8906		
			0.4063			63/64	0.9063		
			0.4219			63/64	0.9219		
			0.4375			63/64	0.9375		
			0.4531			63/64	0.9531		
			0.4688			63/64	0.9688		
			0.4844			63/64	0.9844		
			0.5000			63/64	1.0000		

Table 55-2. A.S.M.E. Standard Screws and American Wire Gauge

Number (No.)	Screws Outside Diameter (inches)	Threads per inch	Gauge No.	Wire Diameter	Gauge No.	Diameter
0	0.060	80	6/0	0.5800	16	0.0508
1	0.073	72, 64	5/0	0.5164	17	0.0452
2	0.086	64, 56	4/0	0.4600	18	0.0403
3	0.099	56, 48	3/0	0.4096	19	0.0359
4	0.112	48, 40, 36	2/0	0.3648	20	0.0319
5	0.125	44, 40, 36	1/0	0.3249	21	0.0284
6	0.138	40, 36, 32	1	0.2893	22	0.0253
7	0.151	36, 32	2	0.2576	23	0.0225
8	0.164	36, 32, 30	3	0.2294	24	0.0201

Table 55-2. A.S.M.E. Standard Screws and American Wire Gauge - Continued

Number (No.)	Screws Outside Diameter (inches)	Threads per inch	Gauge No.	Wire Diameter	Gauge No.	Diameter
9	0.177	32, 30, 24	4	0.2043	25	0.0179
10	0.190	32, 24	5	0.1819	26	0.0159
12	0.216	28, 24	6	0.1620	27	0.0142
1/4	0.250	28, 20	7	0.1443	28	0.0126
5/16	0.313	24, 18	8	0.1285	29	0.0112
3/8	0.375	24, 16	9	0.1144	30	0.0100
7/16	0.438	20, 14	10	0.1019	31	0.0089
1/2	0.500	20, 12	11	0.0907	32	0.0079
			12	0.0808	33	0.0071
			13	0.0719	34	0.0063
			14	0.0640	35	0.0056
			15	0.0570	36	0.0050

Table 55-3. Numbered Twist Drills

Drill No.	Diameter in inches	IBM PN	Drill No.	Diameter in inches	IBM PN	Drill No.	Diameter in inches	IBM PN
1	0.2280	3287641	21	0.1590	3287661	41	0.0960	3287681
2	0.2210	3287642	22	0.1570	3287662	42	0.0935	3287682
3	0.2130	3287643	23	0.1540	3287663	43	0.0890	3287683
4	0.2090	3287644	24	0.1520	3287664	44	0.0860	3287684
5	0.2055	3287645	25	0.1495	3287665	45	0.0820	3287685
6	0.2040	3287646	26	0.1470	3287666	46	0.0810	3287686
7	0.2010	3287647	27	0.1440	3287667	47	0.0785	3287687
8	0.1990	3287648	28	0.1405	3287668	48	0.0760	3287688
9	0.1960	3287649	29	0.1360	3287669	49	0.0730	3287689
10	0.1935	3287650	30	0.1285	3287670	50	0.0700	3287690
11	0.1910	3287651	31	0.1200	3287671	51	0.0670	3287691
12	0.1890	3287652	32	0.1160	3287672	52	0.0635	3287692
13	0.1850	3287653	33	0.1130	3287673	53	0.0595	3287693
14	0.1820	3287654	34	0.1110	3287674	54	0.0550	3287694
15	0.1800	3287655	35	0.1100	3287675	55	0.0520	3287695
16	0.1770	3287656	36	0.1065	3287676	56	0.0465	3287696
17	0.1730	3287657	37	0.1040	3287677	57	0.0430	3287697
18	0.1695	3287658	38	0.1015	3287678	58	0.0420	3287698
19	0.1660	3287659	39	0.0995	3287679	59	0.0410	3287699
20	0.1610	3287660	40	0.0980	3287680	60	0.0400	3287700
1/32	0.0313	3287610	13/64	0.2031	3287621	3/8	0.3750	3287632
3/64	0.0469	3287611	7/32	0.2187	3287622	25/64	0.3906	3287633
1/16	0.0625	3287612	15/64	0.2344	3287623	13/32	0.4062	3287634
5/64	0.0781	3287613	1/4	0.2500	3287624	27/64	0.4219	3287635
3/32	0.0937	3287614	17/64	0.2656	3287625	7/16	0.4375	3287636
7/64	0.1094	3287615	9/32	0.2812	3287626	29/64	0.4531	3287637
1/8	0.1250	3287616	19/64	0.2969	3287627	15/32	0.4687	3287638
9/64	0.1046	3287617	5/16	0.3125	3287628	31/64	0.4844	3287639
5/32	0.1562	3287618	21/64	0.3281	3287629	1/2	0.5000	3287640

Table 55-3. Numbered Twist Drills - Continued

Drill No.	Diameter in inches	IBM PN	Drill No.	Diameter in inches	IBM PN	Drill No.	Diameter in inches	IBM PN
11/64	0.1719	3287619	11/32	0.3437	3287630			
3/16	0.1875	3287620	23/64	0.3594	3287631			

Table 55-4. Fractional Twist Drill Sizes

Drill No.	Diameter in inches	IBM PN	Drill No.	Diameter in inches	IBM PN	Drill No.	Diameter in inches	IBM PN
1/32	0.0313	3287610	13/64	0.2031	3287621	3/8	0.3750	3287632
3/64	0.0469	3287611	7/32	0.2187	3287622	25/64	0.3906	3287633
1/16	0.0625	3287612	15/64	0.2344	3287623	13/32	0.4062	3287634
5/64	0.0781	3287613	1/4	0.2500	3287624	27/64	0.4219	3287635
3/32	0.0937	3287614	17/64	0.2656	3287625	7/16	0.4375	3287636
7/64	0.1094	3287615	9/32	0.2812	3287626	29/64	0.4531	3287637
1/8	0.1250	3287616	19/64	0.2969	3287627	15/32	0.4687	3287638
9/64	0.1046	3287617	5/16	0.3125	3287628	31/64	0.4844	3287639
5/32	0.1562	3287618	21/64	0.3281	3287629	1/2	0.5000	3287640
11/64	0.1719	3287619	11/32	0.3437	3287630			
3/16	0.1875	3287620	23/64	0.3594	3287631			

Table 55-5. Tap, Tap Drill, and Clearance Drill Sizes

Tap Size	No. of Threads	*Type	PN	*Tap Drill	Clear Drill
2	56	B	3034715	51	43
3	48	B	3034731	48	38
4	36	B	3034718	45	32
4	40	B	3034730	43	32
5	40	B	3034729	39	30
6	32	B	3034728	36	27
6	40	B	3034719	33	27
8	32	B	3034726	29	18
8	40	B	3034720	28	7/32
10	24	B	3034721	25	9
10	30	B	3034722	22	9
1/4	28	B	3034717	3	17/64
5/16	32	B	3287787	9/32	23/64
1/4	20	B	3287777	7	17/64
3/8	24	B	3287779	21/64	25/64
10	32	B	3034748	21	9
12	24	B	3034712	17	1
14	24	B	3034716	10	17/64
1/4	20	B	3287768	7	17/64
1/4	24	B	3034713	5	17/64
5/16	18	B	3287769	1/4	21/64
5/16	24	B	3287778	17/64	11/32

Table 55-5. Tap, Tap Drill, and Clearance Drill Sizes - Continued

Tap Size	No. of Threads	*Type	PN	*Tap Drill	Clear Drill
3/8	16	B	3287770	5/16	25/64

* B = Bottoming

* Approximately 75 Percent Full Thread

Table 55-6. Screw Extractors

IBM PN	Bolt Sizes	Drill Size
3034583	3/16 - 1/4	5/64
3034584	1/4 - 5/16	7/64
3034585	5/16 - 7/16	5/32
3034586	7/16 - 9/16	1/4
3034587	9/16 - 3/4	17/64

Table 55-7. Taper Reamers

Reamer Size	Diameter (inches) Large	Small	PN
7/0	0.0666	0.0497	3287738
6/0	0.0806	0.0611	3287739
5/0	0.0966	0.0719	3287740
4/0	0.1142	0.0869	3287741
3/0	0.1302	0.1029	3287742
2/0	0.1462	0.1137	3287743
0	0.1638	0.1287	3287744
1	0.1798	0.1447	3287733
2	0.2008	0.1605	3287734
3	0.2294	0.1813	3287735
4	0.2604	0.2071	3287736
5	0.2994	0.2409	3287737
11/16	0.6875	0.5313	3355707

Table 55-8. Extension Taper Reamers

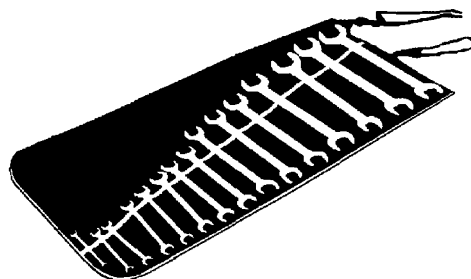
Reamer Size	PN	Reamer Size	PN
5/0	3033392	2	3033394
3/0	3033391	3	3033395
2/0	3033390	4	3033396
0	3033389	5	3033397
1	3033393		

Table 55-9. Open End Wrenches F. E. Tool Kit

Size	PN
3/16 - 7/32	3287801
7/32 - 1/4	3287802

Table 55-9. Open End Wrenches F. E. Tool Kit - Continued

Size		PN	
1/4 - 15/16		3287803	
5/16 - 11/32		3287805	
3/8 - 7/16		3287804	
1/2 - 9/16		3033374	
Kit PN 3134914			
Size	PN	Size	PN
1/4 - 5/16	3135017	3/4 - 7/8	3135026
5/16 - 3/8	3135018	7/8 - 15/16	3135027
3/8 - 7/16	3135019	15/16 - 1	3135028
7/16 - 1/2	3135020	1 - 1 1/8	3135029
1/2 - 9/16	3135021	1 1/16 - 1 1/8	3135030
9/16 - 5/8	3135022	1 1/16 - 1 1/4	3135031
5/8 - 3/4	3135024	19/32 - 11/16	3135023
		25/32 - 13/16	3135025



TO-32-1-101-831

Figure 55-1. Open End Wrenches

Table 55-10. Adjustable and Ratchet Wrenches

Adjustable		Ratchet	
Size	PN	Size	PN
8 inches*	3033367	10 inches**	3134925
10 inches	3287798	15 inches	3134926

* F. E. Tool Kit

** Kit Part No. 3134945

Table 55-11. Box Wrenches F. E. Tool Kit

Size		PN	
5/16 - 3/8		3033380	
7/16 - 1/2		3287799	
9/16 - 5/8		3287800	
Kit PN 3034860			
Size	PN	Size	PN

Table 55-11. Box Wrenches F. E. Tool Kit - Continued

Size		PN	
3/8 - 7/16	3034849	15/16 - 1	3034854
7/16 - 1/2	3034850	1 - 1 1/8	3034858
1/2 - 9/16	3034852	1 1/16 - 1 1/4	3034859
9/16 - 5/8	3034951	19/32 - 11/16	3034855
5/8 - 3/4	3034856	25/32 - 13/16	3034857
3/4 - 7/8	3034853		

Table 55-12. Sockets

Size	PN	Size	PN
3/16	3287755	3/8	3287759
7/32	3287756	7/16	3033369
1/4	3287757	1/2	3287760
5/16	3287758	9/16	3033370
1/4 inch drive required for these sockets			
Kit PN 3134945*			
Size	PN	Size	PN
1/2	3134932	15/16	3134939
9/16	3134933	1	3134940
5/8	3134934	11/16	3134941
11/16	3134935	11/8	3134942
3/4	3134936	13/16	3134943
13/16	3134937	11/4	3134944
7/8	3134938		
*1/2 inch drive required for these sockets			
Kit PN 3134951*			
Size	PN	Size	PN
1/4	3135001	7/16***	3135016
9/32 **	3135013	1/2	3135006
5/16	3135002	9/16	3135007
5/16 ***	3135014	5/8	3135008
11/32	3135003	11/16	3135009
3/8	3135004	3/4	3135010
3/8 ***	3135015	25/32	3135011
7/16	3135005	13/16	3135012
* 3/8 inch drive required for these sockets			
** 4 point socket			
*** 8 point socket			
11/32 - PN 3034842, 1/4 inch drive required.			

Table 55-13. Socket Handles and Extensions F. E. Tool Kit

Type	PN
Socket Wrench Handle	3287722
Tee	3287723
Kit PN 3134945	

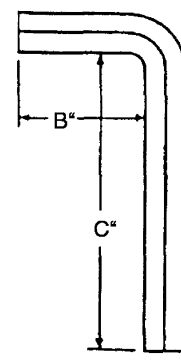
AIR FORCE AIR FORCE TO 32-1-101
 ARMY ARMY TM 9-243
 MARINE CORPS MARINE CORP TM 10209-10/1
 NAVY (NAVAIR) NAVY M6290-AJ-MAN-1010

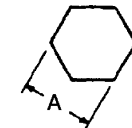
Table 55-13. Socket Handles and Extensions F. E. Tool Kit - Continued

Type	PN
Type	PN
Sliding Tee	3134927
Extension (3-1/2 inch)	3134928
Extension (5 inch)	3134929
Extension (10 inch)	3134930
Kit PN 3134951	
Type	PN
Flexible Hinge	3134947
Sliding Tee	3134948
Extension (3 inch)	3134949
Extension (6 inch)	3134950

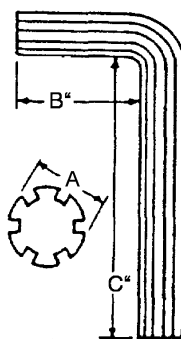
Table 55-14. Hexagon and Fluted Wrenches


PN	Flat Width		Length		Used On Screws	
	A		B	C	Set	Cap
	Maximum	Minimum	Short	Long		
3034746	0.035	0.0345	7/16	3	No. 1, No. 2	
3287813	0.050	0.049	9/16	3	No. 3, No. 4	No. 0, No. 1
3287810	1/16	0.062	9/16	3-21/64	No. 5, No. 6	No. 2
3287812	5/64	0.077	45/64	3-3/16	No. 8	No. 3, No. 4
3287811	3/32	0.093	3/4	3-7/16	No. 10, No. 12	No. 5, No. 6
3287814	1/8	0.124	27/32	3-27/32	1/4	No. 8
3034601	5/32	0.155	15/16	3-15/16	5/16	No. 10, No. 12
3287816	3/16	0.186	1-1/32	2-27/32	3/8	1/4
3287817	7/32	0.217	1-1/8	3-3/32	7/16	5/16
3287818	1/4	0.2485	1-7/32	3-11/32	1/2, 9/16	
3287819	5/16	0.311	1-11/32	3-27/32	5/8	3/8, 7/16
3034724	3/8	0.374	1-15/32	4-11/32	3/4	1/2, 9/16
PN	No. of Flutes	Diameter A		Short Length	Long Length	
		Max	Min	B	C	
303382	4	0.069	0.068	9/16	3-3/8	
3033456	4	0.076	0.075	21/32	3-3/32	
3033387	4	0.094	0.093	45/64	3-21/64	
3034723	4	0.125	0.124	7/8	3-27/32	
3033457	6	0.060	0.059	7/16	3	
3287807	6	0.094	0.093	45/64	3-21/64	
3287808	6	0.110	0.109	3/4	3-31/64	
3287809	6	0.144	0.143	27/32	2-27/64	





NOTE
 DIMENSIONS "B" &
 "C" ARE APPROXIMATE
 & ARE FOR REFERENCE
 ONLY.





TO-32-1-101-832

Table 55-15. Chassis Punches

	Type	PN
1/2	Round	3355110
5/8	Round	3034778
11/16	Round	3034779
3/4	Round	3034780
13/16	Round	3355376
7/8	Round	3355223
1	Round	3034781
1 1/16	Round	3034782
1 1/8	Round	3034783
1 5/32	Round	3034784
1 11/64	Round	3034785
1 3/16	Round	3034786
1 1/4	Round	3355109
1 3/8	Round	3034787
1 1/2	Round	3034788
1 5/8	Round	3034789
1 3/4	Round	3034790
1 7/8	Round	3034791
2	Round	3034792
1/2	D	3034794
5/8	D	3034795
2 1/4	Round	3034793

Table 55-16. Lug and Crimping Tools

Lug						Tool			
Type	Wire Size	Stud Size	Manufacture . PN	IBM PN	Photo Refer- ence	Manufacture PN	IBM PN	Photo Ref.	Comments
Butt Connector	26-22		Amp 321029	3002913	18	Amp 48518	3033463	62	
	22-16		Amp 320559	3099830	59	Amp 49556	3033461	63	
	16-14		Burndy YSE 14H	3004933	20	Burndy MR8-33S	3033472	64	
	16-14		Amp 320562	3097800	57	Amp 49864	3033464	65	
	12-10		Amp 320570	3097801	58	Amp 59062	3033467	62	
Contact	20-18		Burndy AYH 14H1	3025281	22	Burndy Y 14 MRC	3033470	66	
Tip	16-12		Burndy AYH 12-14H1	3025139	21	Burndy Y 14 MRC	3033470	66	
Crabloc Tip	10		Burndy AYH 10	3004539	17	Burndy Y 8 MC	3033869	67	
	8		Burndy AYH 8C	3004538	16	Burndy Y 8 MC	3033869	67	
Ferrule	coax cable		T & B GSC 149	3004072	12	T & B WT201-02-03	3033478	68	
	Type 1 3001953		T & B GSB 090	3004071	11				

Table 55-16. Lug and Crimping Tools - Continued

			Lug			Tool						
coax cable Type 2 3001955	coax cable Type 3 3001954		T & B GSC 156	3002911	6	T & B WT201- 02-03	33033478	68				
			T & B GSB 101	3002908	4							
			T & B GSC 187	3002912	7	T & B WT 206	3033459	69				
			T & B GSB 124	3002909	5							
			T & B GSC 219	3004157	15	T & B WT 208-11	3033868	70				
			T & B GSC 134	3004156	14							
			T & B GSC 287	3061094	39	T & B WT 214	3033458	71				
			T & B GSB 194	3061093	38							
			coax cable type 4 3212391			T & B GSB 312	3004931	19		T & B WT 235	3033867	70
						T & B GSB 205	3004761	18				
T & B GSC 327	3212121	61				T & B WT 235	3033867	70				
T & B GSB 261	3004075	13										
Parallel Connector	16-14		Amp 34137	3003820	10	Amp 49900	3033483	62				
Plug	22-18		Hubble K-1121-B	3003666	9	Hubble 120Y-91	3033477	72				
Ring	22-16	No. 3, 4	Amp 31878 loose Amp 41548 roll	3061071	35	Amp 49556	3033461	63				
Tongue		No. 3, 4	Bumdy YAE- 18-N17 loose SE-18-N17 roll	3061071	35	Bumdy MR8-33S	3033472	64				
Terminal		No. 4, 5, 6	Bumdy YAE- 18-G43 loose SE-18-G43-roll	3002876	2	Bumdy MR8-33S	3033472	64				
		No. 6	Amp 31879 loose Amp 41170 roll	3061003	24	Amp 49556	3033461	63				
		No. 6	Amp 34110	3061072	36	Amp 49900	3033483	62				
		No. 8	Amp 31888 loose Amp 41102 roll	3061018	27	Amp 49556	3033461	63				
		No. 8	Bumdy YAE- 18-N1 loose SE-18-N1-roll	3061018	27	Bumdy MR8-33S	3033472	64				
		No. 10	Amp 31889 loose Amp 41103 roll	3061001	23	Amp 49556	3033461	63				

Table 55-16. Lug and Crimping Tools - Continued

		Lug				Tool				
		No. 10	Bumdy YAE-18-N loose SE-18-N roll	3061001	23	Bumdy MR8-33S	3033472	64		
Ring	22-16	1/4 inches	Amp 31892 loose Amp 41172 roll	3061921	44	Amp 49556	3033461	63		
Tongue		1/4 inches	Bumdy YAE-18-N2 loose SE-18-N2 roll	3061921	44	Bumdy MR8-33S	3033472	64		
Terminal	16-14	No. 6	Amp 31898 loose Amp 41105 roll	3061005	25	Amp 49557 or Amp 49864	3033466 or 3033464	62 65		
		No. 10	Amp 31900 loose Amp 41107 roll	3061006	26	Amp 49557 or Amp 49864	3033466 or 3033464	62 65		
		No. 10	Bumdy YAE-14-N loose SE-14N roll	3061006	26	Bumdy MR8-33S	3033472	64		
		1/4 inches	Amp 31904	3061025	31	Amp 49557 or Amp 49864	3033466 or 3033464	62		
		14	No. 6	Amp 32440 loose Amp 41314 roll	3061023	29	Amp 49557 or Amp 49864	3033466 or 3033464	62 65	
			No. 6	Bumdy YAE-14-N43 loose SE-14-N43 roll	3061023	29	Bumdy MR8-33S	3033472	64	
			No. 8	Amp 31899 loose Amp 41106 roll	3061020	28	Amp 49557 or Amp 49864	3033466 or 3033464	62 65	
			No. 8	Bumdy YAE-14-N1 loose SE-14-N1 roll	3061020	28	Bumdy MR8-33S	3033472	64	
		12-10	No. 6	Amp 32542 loose Amp 41050 roll	3061899	42	Amp 59062	3033467	62	
			No. 8	Amp 32543 loose Amp 41051 roll	3061948	48	Amp 59062	3033467	62	
	No. 10		Amp 32544 loose Amp 41052 roll	3061900	43	Amp 59062	3033467	62		
	1/4 inches		Amp 32545	3061024	30	Amp 59062	3033467	62		
		3/8 inches	Amp 32547	3061089	37	Amp 59062	3033467	62		
	8	No. 8-10	Bumdy YAV8CRS	3061896	41	Bumdy MY29	3033471	73		
Ring	6	1/4 inches	Bumdy YA-6C-L	3061928	45	Bumdy MY29	3033471	73		
	4	No. 8-10	Bumdy YAV4C-RS3	3061894	40	Bumdy MY29	3033471	73		

Table 55-16. Lug and Crimping Tools - Continued

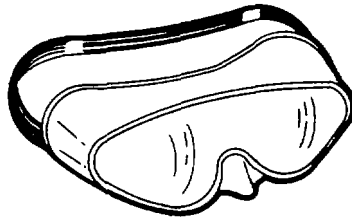
		Lug				Tool			
Tongue	4	1/4 inches	Bumdy YAV4C-RS	3061026	32	Bumdy MY29	3033471	73	
Terminal	4	1/4 inches	Bumdy YA-4C-L	3061929	47	Bumdy MY29	3033471	73	
	2	1/4 inches	Bumdy YA-2C-L2	3061930	46	Bumdy MY29	3033471	73	
	2	5/16 inches	Bumdy YA-2C-L	3061069	33	Bumdy MY29	3033471	73	
	1	5/16 inches	Bumdy YA25-L	3061070	34	Bumdy MY29	3033471	73	
	1/0	3/8 inches	Bumdy YA-25-L4	3061944	49	Bumdy MY29	3033471	73	
	2/0	3/8 inches	Bumdy YA-26-L	3061945	50	Bumdy MY29	3033471	73	
	Taper Pin	26-22		Amp C-41278	3090156	51	Amp 48698	3033479	62
22			Amp 42153-1	3208057	60	Amp 47745	3034146	74	
22-18			Amp 42031-0	302762	1	Amp 47450	3033468	62	
22-18			Amp C-41650	3095837	53	Amp 47043	3033480	62	
20-16			Amp 41608	3002877	3	Amp 47194	3033462	62	
18-16			Amp 42147-1	3097086	55	Amp 47194	3033462	62	
16			Amp C-41656	3095836	52	Amp 47044	3033482	62	
16-14			Amp 42090-1	3096435	54				
16-14			Amp C-42148-1	3097087	56	Amp 47745	3034146	74	

CHAPTER 56

PNEUMATIC RATCHETS

56.1 AIR RATCHETS MODEL NUMBERS FAR70C AND 72B.

- a. Purpose of Air Ratchets: Designed for a wide variety of uses including automotive, truck, aircraft and jet engine repairs. Pneumatic air ratchets increase production and reduce time and manpower. Although there are a number of pneumatic air ratchets, we will only discuss the use and care of the Snap-On FAR70C 3/8 inch drive and FAR72B air ratchets. (See Figure 56-1.) For additional information on pneumatic air ratchets, refer to the particular manufacturer's users manual.
- b. The following warning and cautions must be adhered to:



TO-32-1-101-200

WARNING

Always wear approved eye protection when using air tools. Due to the high torque output on some air ratchets and resultant reaction force at the handle of these units, make sure you have a firm grip on the handle and never point exhaust outlets at people or near any flame when lubricating. Failure to comply could result in injury to, or death of, personnel or long term health hazards.

CAUTION

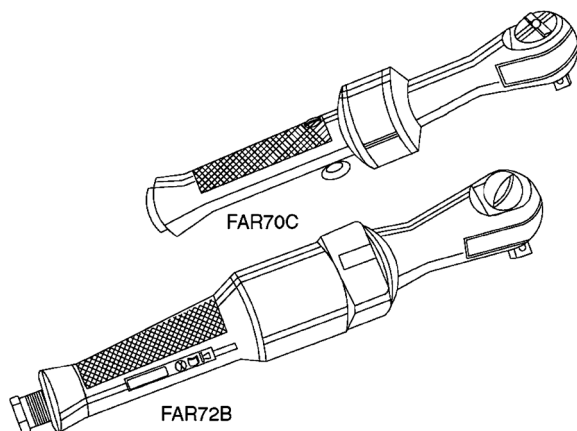
- If a socket extension is used, align the head of the ratchet so that the socket stays squarely on the fastener being turned. Failure to comply could result in damage to, or destruction of, equipment or loss of mission effectiveness.
- When tightening fasteners, final tightening must be done with a nonelectric/non-pneumatic torque wrench set at the applicable torque setting to prevent over torquing and/or damage to the fasteners. Failure to comply could result in damage to, or destruction of, equipment or loss of mission effectiveness.
- Always keep air tools well lubricated to maintain proper operation. Failure to comply could result in damage to, or destruction of, equipment or loss of mission effectiveness.

c. Description and Use:

- (1) APPLICATION: The FAR70C and the FAR72B air ratchets are rugged, variable speed, reversible tools that can speed up and ease the removal and the installation of most automotive and aviation fasteners. The lower torque (120 inch-pounds) FAR70C ratchet is designed for lighter duty jobs found on most assembly line, automotive repair and aviation repair work. The higher torque (60 foot-pounds) FAR72B ratchet is ideal where stubborn rusty fasteners are encountered.

AIR FORCE AIR FORCE TO 32-1-101
ARMY ARMY TM 9-243
MARINE CORPS MARINE CORP TM 10209-10/1
NAVY (NAVAIR) NAVY M6290-AJ-MAN-1010

- (2) **AIR COMPRESSOR:** The air ratchets should be operated with clean, moisture free, well lubricated air at a constant pressure of 90 Pound-force per Square Inch (PSI). The air compressor should have sufficient capacity to deliver 2.0 CFM (FAR70C) for 2.7 CFM (FAR72B) at 90 PSI at each ratchet outlet while the tool is running. The receiver tank should have sufficient capacity to provide surge balance for each ratchet.
- (3) **FILTER:** Water, dirt and scale act as abrasives which could damage the air ratchet. A filter unit should be installed between the compressor and the air regulator and air lubricator.
- (4) **AIR REGULATOR:** Regulated air pressure is necessary for proper operation of the air ratchet. Adjust pressure regulator to the recommended air pressure of 90 PSI. Pressure less than this reduces efficiency, while pressure greater than this increases torque and speed beyond the rated capacity creating potential hazards and possible damage to the ratchet.
- (5) **AIR RATCHET LUBRICATION:** The preferred method of lubricating the air ratchet motor is to use an air line lubricator. Contact the air ratchet manufacturer for more details. If an air line lubricator is not used, lubricate the air motor by injecting approximately 6 or 7 drops of Snap-On IM6 air motor oil into the air inlet of the air ratchet each day before using. Run the air ratchet for one minute while covering the exhaust ports in the muffler with a rag to prevent the spraying of an oil mist.
- (6) **ATTACHING AIR SUPPLY:** Before connecting the air hose to the source of supply, always blow out the air line to prevent dirt or moisture from getting into the air ratchet. Since the ratchet handle is made of aluminum, be careful not to strip the threads in the air inlet when attaching a hose or coupler to the ratchet.
- (7) **TRIGGER-REGULATOR VALVE:** The variable speed push-button controls the air flow valve which regulates the power and speed of the ratchet. This provides for variable low speed control with feathering ability and progressive high speed control for the high torque requirements. The distance of pushbutton movement directly controls the air flow to the air motor.
- (8) **REVERSE MECHANISM:** The direction of rotation is determined by the position of the reverse lever in the ratchet head. Turning it counterclockwise makes the ratchet turn clockwise and vice versa.



TO-32-1-101-833

Figure 56-1. Snap-On Air Ratchets

INDEX

Subject	Paragraph, Figure, Table Number
A	
AIR RATCHETS MODEL NUMBERS FAR70C AND 72B	56.1
Snap-On Air Ratchets	F 56-1
AWLS TYPES AND USES	31.2
Saddler's Awl	31.2.1
Scratch Awl	31.2.2
B	
BAR SAFETY	42.3
BARS TYPES AND USES	42.2
Combination Bar	42.2.4
Crowbar	42.2.2
Pinch Bar	42.2.3
Wrecking Bar	42.2.1
BASIC SOLDERING TECHNIQUES	53.3
Cooling	53.3.3
Copper Bit Soldering Irons	53.3.4
Flux Residue Removal	53.3.5
Heating	53.3.2
Soldering Tools and Accessories	F 53-1
Temperatures	53.3.1
Using the Soldering Iron	F 53-2
BENDERS TYPES AND USES	40.2
Electrical Conduit Hand Bender	40.2.2
Spring Tube Benders	40.2.1
BOLT AND CABLE CUTTERS TYPE AND USES	32.2
Angular Cut Cutter	32.2.5
Center Cut Cutter	32.2.1
Clipper Cut Cutter	32.2.2
Shear Cut Cable Cutter	32.2.6
Shear Cut, Flat Bar, and Strip Cutter	32.2.3
Side Nut Splitter Cutter	32.2.4
BRUSH-CUTTING TOOLS SAFETY	47.3
BRUSH-CUTTING TOOLS TYPES AND USES	47.2
Brush Hook	47.2.1
Machete	47.2.2
BRUSH PAINTING	54.3
Care of Paintbrushes	54.3.1
C	
CALIPERS TYPES AND USES	6.2
Hermaphrodite Calipers	6.2.4
Simple Calipers	6.2.1
Slide Calipers	6.2.5
Spring-Joint Calipers	6.2.2
Trammels	6.2.7
Transfer Calipers	6.2.3
Vernier Calipers	6.2.6
CARE	25.11
CARE AND CLEANING OF DIGGING TOOLS	51.7

INDEX - CONTINUED

Subject	Paragraph, Figure, Table Number
CARE OF AWLS	31.4
CARE OF BARS	42.5
CARE OF BENCH GRINDERS	29.5
CARE OF BENDERS	40.5
CARE OF BOLT AND CABLE CUTTERS	32.5
CARE OF BRUSH-CUTTING TOOLS	47.5
CARE OF C-CLAMPS	19.5
CARE OF CALIPERS	6.5
CARE OF CHISELS	26.6
CARE OF CHOPPING TOOLS	45.7
CARE OF CLIMBING TOOLS	49.5
CARE OF CUTTERS	33.4
CARE OF DIES	38.6
CARE OF DIVIDERS	5.4
CARE OF ELECTRIC POWER TOOLS	52.10
CARE OF EXTRACTORS	24.4
CARE OF FILES	28.5
CARE OF GAGE BLOCKS	15.10
CARE OF GAGES	16.14
CARE OF GASKET CUTTERS	44.4
CARE OF HAMMERS	21.5
Care of Inserted Face Hammers	21.5.1
CARE OF HAND SCREW CLAMPS	19.6
CARE OF JACKS	20.6
CARE OF KNIVES	34.5
CARE OF MANUAL DRILLS	23.5
CARE OF MATTOCKS	43.5
CARE OF MICROMETERS	7.7
CARE OF MISCELLANEOUS MEASURING TOOLS	9.4
CARE OF MISCELLANEOUS TOOLS	55.7
A.S.M.E. Standard Screws and American Wire Gauge	T 55-2
Adjustable and Ratchet Wrenches	T 55-10
Box Wrenches F. E. Tool Kit	T 55-11
Chassis Punches	T 55-15
Decimal Equivalent Chart	T 55-1
Extension Taper Reamers	T 55-8
Fractional Twist Drill Sizes	T 55-4
Hexagon and Fluted Wrenches	T 55-14
Lug and Crimping Tools	T 55-16
Numbered Twist Drills	T 55-3
Open End Wrenches	F 55-1
Open End Wrenches F. E. Tool Kit	T 55-9
Screw Extractors	T 55-6
Socket Handles and Extensions F. E. Tool Kit	T 55-13
Sockets	T 55-12
Tap, Tap Drill, and Clearance Drill Sizes	T 55-5
Taper Reamers	T 55-7
CARE OF PIPE CUTTERS AND THREADING SETS	35.5
Pipe Cutters	35.5.1
Threading Sets	35.5.2
CARE OF PLANES	50.6
CARE OF PLIERS AND TONGS	17.6
CARE OF PLUMB BOBS	11.4

INDEX - CONTINUED

Subject	Paragraph, Figure, Table Number
CARE OF PULLERS	41.5
CARE OF PUNCHES	27.6
CARE OF REAMERS	39.4
CARE OF RING AND SNAP GAGES	15.9
CARE OF RULES AND TAPES	8.4
CARE OF SAWS	46.7
CARE OF SCRAPERS	30.5
CARE OF SCREWDRIVERS	22.5
CARE OF SCRIBERS	12.4
CARE OF SHARPENING STONES	29.6
CARE OF SHEARS AND NIPPERS	37.5
CARE OF SQUARES	13.8
CARE OF SURFACE, HEIGHT, AND DEPTH GAGES	14.4
CARE OF TAPS	38.5
CARE OF TIMBER HANDLING TOOLS	48.5
CARE OF TUBE CUTTERS AND FLARING TOOLS	36.4
Flaring Tool	36.4.2
Tube Cutters	36.4.1
CARE OF VISES	18.5
CHISELS TYPES AND USES	26.2
Machinist's Chisels	26.2.2
Rivet Buster Chisel	26.2.4
Track Chisel	26.2.3
Woodworker's Chisels	26.2.1
CHOPPING TOOLS TYPES AND USES	45.2
Adz	45.2.3
Axes	45.2.1
Crash Ax	45.2.1.3
Double-Bit Ax	45.2.1.2
Half-Hatchet	45.2.2.1
Hatchets	45.2.2
Single-Bit Ax	45.2.1.1
Timber Wedges	45.2.4
CLAMPS TYPES AND USES	19.2
C-Clamps	19.2.1
Hand Screw Clamps	19.2.2
CLIMBING TOOLS SAFETY	49.3
CLIMBING TOOLS TYPES AND USES	49.2
Leg Irons	49.2.3
Safety Belt	49.2.1
Safety Strap	49.2.2
CUTTER SAFETY	32.3
CUTTING TOOLS SAFETY	50.3
D	
DIGGING TOOLS TYPES AND USES	51.2
D-Handled Shovel	51.2.2
Long-Handled Shovel	51.2.1
Posthole Auger	51.2.4
Posthole Digger	51.2.5
Spade	51.2.3
DIVIDERS TYPES AND USES	5.2
Spring Divider	5.2.1

INDEX - CONTINUED

Subject	Paragraph, Figure, Table Number
Wing Divider	5.2.2
DRILLS, REAMERS, TAPS, AND COUNTERSINKS	52.5
Countersink Angles	F 52-2
Countersink Tool	F 52-3
Countersinks	52.5.6
Drill Sizes	52.5.4
Drill Terminology	52.5.3
Drill Terminology	F 52-1
Drilling Safety Practices	52.5.5.2
Drills, Reamers, Taps, and Countersinks Introduction	52.5.1
Removing Rivets	52.5.5.1
Twist Drills	52.5.2
Using the Countersink	52.5.6.1
Using the Drill	52.5.5
E	
ELECTRICAL POWER TOOL SAFETY	52.3
ELECTRICAL POWER TOOLS TYPES AND USES	52.2
Bench Grinders and Oilstones	52.2.7
Grinding Wheel "Ring" Test	52.2.7.1
Portable Electric Chain Saw	52.2.5
Portable Electric Circular Saw	52.2.4
Portable Electric Disk Sander	52.2.6
Portable Electric Drill	52.2.1
Portable Electric Hammer	52.2.2
Portable Electric Impact Wrench	52.2.3
Portable Rotary Polishers and Grinders	52.2.7.2
F	
FACTORS TO CONSIDER WHEN USING GAGE BLOCKS	15.8
FILE SAFETY	28.3
FILES TYPES AND USES	28.2
American Pattern File	28.2.1
Curved-Tooth File	28.2.9
Mill File	28.2.2
Pillar File	28.2.3
Round File	28.2.4
Square File	28.2.5
Swiss Pattern File	28.2.10
Taper File	28.2.6
Three-Square File	28.2.7
Warding File	28.2.8
G	
GAGING CYLINDRICAL PARTS	15.6
GAGING FLAT PARTS	15.5
GASKET CUTTERS TYPES AND USES	44.2
Bit Brace Circle Gasket Cutter	44.2.2
Circle Gasket Cutter	44.2.1
Heavy Duty Bench Mount Gasket Cutter	44.2.4
Hollow Gasket Cutter	44.2.3
GENERAL SAFETY RULES	2.1
GLASS CUTTERS TYPES AND USES	33.2

INDEX - CONTINUED

Subject	Paragraph, Figure, Table Number
Circle Glass Cutter	33.2.2
Wheel Type Glass Cutter	33.2.1
GRINDERS AND SHARPENING STONES TYPES AND USES	29.2
Bench Grinder	29.2.1
Sharpening Stones	29.2.3
Valve Grinder.	29.2.2
H	
HAMMERS, MALLETS AND MAULS SAFETY	21.3
Specific Steps to Take	21.3.1
HAMMERS, MALLETS AND MAULS TYPES AND USES	21.2
Blacksmith's or Sledge Hammers	21.2.4
Bumping Body Hammer	21.2.3
Carpenter's Hammer	21.2.1
Carpenter's Mallet	21.2.17.1
Dead Blow Hammers.	21.2.16
Inserted Soft-Faced Hammer.	21.2.13
Jeweler's Hammer	21.2.5
Lead or Copper Hammer	21.2.12
Machinist's Peen Hammer	21.2.2
Mallets	21.2.17
Mason's Hammer	21.2.6
Mauls	21.2.18
Napping Hammer	21.2.7
Railroad Track Maul.	21.2.18.1
Rawhide Mallet	21.2.17.2
Riveting Hammer	21.2.8
Rubber Mallet	21.2.17.3
Sawmaker's Hammer	21.2.9
Setting Hammer	21.2.10
Soft-Faced Hammer.	21.2.11
Tinner's Mallet.	21.2.17.4
Trimmer's Hammer	21.2.14
Welder's Hammer	21.2.15
Wooden Maul	21.2.18.2
HOW TO CHOOSE AND USE AWLS	31.1
HOW TO CHOOSE AND USE BARS	42.1
HOW TO CHOOSE AND USE BENDERS.	40.1
HOW TO CHOOSE AND USE BOLT AND CABLE CUTTERS	32.1
HOW TO CHOOSE AND USE BRUSH-CUTTING TOOLS	47.1
HOW TO CHOOSE AND USE CALIPERS	6.1
HOW TO CHOOSE AND USE CHISELS	26.1
HOW TO CHOOSE AND USE CHOPPING TOOLS	45.1
HOW TO CHOOSE AND USE CLAMPS	19.1
HOW TO CHOOSE AND USE CLIMBING TOOLS	49.1
HOW TO CHOOSE AND USE CREW AND TAP EXTRACTORS	24.1
HOW TO CHOOSE AND USE DIGGING TOOLS	51.1
HOW TO CHOOSE AND USE DIVIDERS	5.1
HOW TO CHOOSE AND USE ELECTRICAL POWER TOOLS	52.1
HOW TO CHOOSE AND USE FILES.	28.1
HOW TO CHOOSE AND USE GASKET CUTTERS.	44.1
HOW TO CHOOSE AND USE GLASS CUTTERS	33.1
HOW TO CHOOSE AND USE GRINDERS AND SHARPENING STONES	29.1

INDEX - CONTINUED

Subject	Paragraph, Figure, Table Number
HOW TO CHOOSE AND USE HAMMERS, MALLETs AND MAULS	21.1
HOW TO CHOOSE AND USE JACKS	20.1
HOW TO CHOOSE AND USE KNIVES	34.1
HOW TO CHOOSE AND USE LEVELS	10.1
HOW TO CHOOSE AND USE MANUAL DRILLS	23.1
HOW TO CHOOSE AND USE MATTOCKS	43.1
HOW TO CHOOSE AND USE MICROMETERS	7.1
HOW TO CHOOSE AND USE MISCELLANEOUS MEASURING GAGES	16.1
HOW TO CHOOSE AND USE MISCELLANEOUS MEASURING TOOLS	9.1
HOW TO CHOOSE AND USE MISCELLANEOUS TOOLS	55.1
HOW TO CHOOSE AND USE PIPE CUTTING AND THREADING TOOLS	35.1
HOW TO CHOOSE AND USE PLANES	50.1
HOW TO CHOOSE AND USE PLIERS AND TONGS	17.1
HOW TO CHOOSE AND USE PLUMB BOBS	11.1
HOW TO CHOOSE AND USE PULLERS	41.1
HOW TO CHOOSE AND USE PUNCHES	27.1
HOW TO CHOOSE AND USE REAMERS	39.1
HOW TO CHOOSE AND USE RING AND SNAP GAGES AND GAGE BLOCKS	15.1
HOW TO CHOOSE AND USE RULES AND STEEL TAPES	8.1
HOW TO CHOOSE AND USE SAWS	46.1
HOW TO CHOOSE AND USE SCRAPERS	30.1
HOW TO CHOOSE AND USE SCREWDRIVERS	22.1
HOW TO CHOOSE AND USE SCRIBERS	12.1
HOW TO CHOOSE AND USE SHEARS AND NIPPERS	37.1
HOW TO CHOOSE AND USE SQUARES	13.1
HOW TO CHOOSE AND USE SURFACE, DEPTH, AND HEIGHT GAGES	14.1
HOW TO CHOOSE AND USE TAPS AND DIES	38.1
HOW TO CHOOSE AND USE TIMBER HANDLING TOOLS	48.1
HOW TO CHOOSE AND USE TOOL BOXES	4.1
HOW TO CHOOSE AND USE TUBE CUTTING AND FLARING TOOLS	36.1
HOW TO CHOOSE AND USE VISES	18.1
HOW TO CHOOSE AND USE WRENCHES	25.1
HOW TO USE A BOX WRENCH	25.4
HOW TO USE PRECISION GAGE BLOCKS	15.7
HOW TO USE THIS MANUAL	1.1

J

JACK TYPES AND USES	20.2
Hydraulic Jacks	20.2.3
Ratchet Lever Jacks	20.2.2
Screw Jacks	20.2.1

K

KNIFE SAFETY	34.3
KNIVES TYPES AND USES	34.2
Draw Knife	34.2.5
Pocket Knife	34.2.4
Putty Knife	34.2.6
Rubber Cutting Knives	34.2.1
Saddler's Knives	34.2.2
Shop Knife	34.2.3

INDEX - CONTINUED

Subject	Paragraph, Figure, Table Number
L	
LEVELS TYPES AND USES	10.2
Carpenter's Level	10.2.5
Iron Bench Level	10.2.3
Line Level	10.2.6
Machinist's Level	10.2.2
Master Precision Level	10.2.1
Striding Level	10.2.4
M	
MANUAL DRILLS TYPE AND USES	23.2
Brace Drill	23.2.1
Breast Drill	23.2.2
Hand Drill	23.2.3
MATTOCKS SAFETY	43.3
MATTOCKS TYPES AND USES	43.2
Single-Bevel and Double-Bevel	43.2.1
MICROMETERS TYPES AND USES	7.2
Depth Micrometers	7.2.3
Inside Micrometers	7.2.2
Outside Micrometers	7.2.1
MISCELLANEOUS MEASURING GAGES TYPES AND USES	16.2
Center Gage	16.2.2
Drill Gages	16.2.10
Drill Point Gage	16.2.8
Fillet and Radius Gages	16.2.7
Marking Gages	16.2.11
Screw Pitch Gages	16.2.3
Small Hole Gage Set	16.2.4
Telescoping Gages	16.2.5
Thickness (Feeler) Gages	16.2.1
Threaded Cutting Tool Gages	16.2.6
Wire Gages	16.2.9
MISCELLANEOUS MEASURING TOOLS TYPES AND USES	9.2
Adjustable Parallel	9.2.1
Angle Plates	9.2.3
Magnetic Base Indicator Holder	9.2.4
Registering Speed Indicators	9.2.5
V-Block and Clamp	9.2.2
MISCELLANEOUS TOOL SAFETY	55.3
MISCELLANEOUS TOOLS TYPES AND USES	55.2
Blocks	55.2.4
Brick Trowel	55.2.2
Cable Jaw Grip	55.2.7
Cement Trowel	55.2.1
Chain Assembly	55.2.6
Miner's Spoon	55.2.3
Tension Puller	55.2.8
Trip Wire Grapnel	55.2.5
P	
PAIN'T APPLICATION INTRODUCTION	54.1
PERSONAL PROTECTIVE EQUIPMENT (PPE)	2.4

INDEX - CONTINUED

Subject	Paragraph, Figure, Table Number
EYE PROTECTION	2.4.2
GLOVES	2.4.4
HEARING PROTECTION	2.4.6
HELMETS	2.4.3
SAFETY BELTS AND SAFETY STRAPS	2.4.5
SAFETY SHOES	2.4.1
PIPE CUTTING AND THREADING TOOLS TYPES AND USES	35.2
Pipe Cutters	35.2.1
Pipe Threading Set	35.2.2
PLANES TYPES AND USES	50.2
Bench Plane	50.2.2
Block Plane	50.2.1
PLIERS AND TONGS TYPES AND USES	17.2
Crimping Tools	17.2.10
Diagonal Cutting Pliers	17.2.2
End Cutting Pliers	17.2.8
Flat-nose Pliers	17.2.5
Lineman's Side Cutting Pliers	17.2.3
Parallel Jaw Pliers	17.2.4
Round-nose Pliers	17.2.6
Slip-joint Pliers	17.2.1
Straight-lip Flat-jaw Tong	17.2.7
Wire Strippers (Multipurpose)	17.2.9
Wire Twister	17.2.11
PLUMB BOBS TYPES AND USES	11.2
Plumb Bobs	11.2.1
Solid Steel	11.2.3
Surveyor's Polished Brass	11.2.2
POWER TOOL SAFETY	2.3
PRE-TREATMENT	54.2
PROPER TOOL SAFETY	51.3
PULLERS TYPES AND USES	41.2
Battery Terminal and Small Gear Puller	41.2.5
Cotter Pin Puller	41.2.12
Cylinder Sleeve Puller	41.2.10
Electrical Unit Bearing Puller	41.2.4
Gear and Bearing Puller	41.2.2
Push and Pull Puller Set	41.2.7
Slide Hammer Puller	41.2.11
Steering Gear Arm Puller	41.2.6
Steering Wheel Puller Set	41.2.8
Universal Bearing and Bushing Puller	41.2.3
Universal Gear Puller	41.2.1
Wheel Puller Set	41.2.9
PUNCHES TYPES AND USES	27.2
Alignment Punch	27.2.3
Catapunch	27.2.8
Center Punches	27.2.1
Drift Punch	27.2.2
Drive Pin Punch	27.2.4
Grommet-Inserting Punch	27.2.7
Lever Punch	27.2.12
Metal Cutting Punch	27.2.9

INDEX - CONTINUED

Subject	Paragraph, Figure, Table Number
Prick Punch	27.2.5
Screw Punch	27.2.13
Sheet Metal Punch	27.2.11
Starting Punch	27.2.6
Tinmen's Hollow Punch	27.2.10

R

READING A METRIC CALIPER	6.4
READING A METRIC MICROMETER	7.6
To Read a Measurement as Shown Above	7.6.1
READING A METRIC RULE	3.3
READING A STANDARD MICROMETER	7.4
To Read a Measurement as Shown in the Paragraph Above:	7.4.1
READING A VERNIER CALIPER	6.3
READING A VERNIER MICROMETER	7.5
To Read a Measurement as Shown Above:	7.5.1
READING MEASURING SCALES INTRODUCTION	3.1
READING THE SCALE OF A RULE OR TAPE	3.2
REAMERS TYPES AND USES	39.2
Adjustable-Blade Reamer	39.2.4
Expansion Reamer	39.2.3
Solid Straight-Hole Reamer	39.2.1
Solid Taper-Pin Reamer	39.2.2
REPLACING THE HANDLE	21.6
Installation of New Handle	21.6.2
Removing Old Hammer Handle	21.6.1
REPLACING THE HANDLE	28.6
RING AND SNAP GAGES AND GAGE BLOCKS TYPES AND USES	15.2
Gage Blocks	15.2.3
Ring Gages	15.2.1
Snap Gages	15.2.2
RULES AND STEEL TAPES TYPES AND USES	8.2
Folding Rules	8.2.2
Rules	8.2.1
Steel Tapes	8.2.3

S

SAFETY	20.3
SAFETY	45.3
SAW SAFETY	46.3
SAWS TYPES AND USES	46.2
Bucksaw	46.2.4
Compass Saw	46.2.5.2
Hacksaw	46.2.5.3
Handsaw	46.2.1
Keyhole Saw	46.2.5.1
Nested Saws	46.2.5
One-Man Crosscut Saw	46.2.2
Two-Man Crosscut Saw	46.2.3
SCRAPER SAFETY	30.3
SCRAPERS TYPES AND USES	30.2
Bearing Scraper	30.2.2
Box Scraper	30.2.3

INDEX - CONTINUED

Subject	Paragraph, Figure, Table Number
Carbon Scraper	30.2.1
Flat Blade Scraper	30.2.4
Triangular Blade Scraper	30.2.5
SCREW AND TAP EXTRACTORS TYPES AND USES	24.2
Screw Extractors	24.2.1
Tap Extractor	24.2.2
SCREW PUNCH USAGE	27.7
SCREWDRIVERS SAFETY	22.3
SCREWDRIVERS TYPES AND USES	22.2
Clutch Head Screwdrivers	22.2.4
Common Screwdrivers	22.2.1
Cross-Point Screwdrivers	22.2.3
Cross-Tip Screwdrivers	22.2.2
Flexible Screwdrivers	22.2.9
Jeweler's Screwdriver	22.2.8
Offset Screwdrivers	22.2.5
Radio and Pocket Screwdrivers	22.2.10
Ratchet Screwdrivers	22.2.6
Screw Starter or Gimlet	22.2.11
Screwdriver Bits	22.2.7
SCRIBERS TYPES AND USES	12.2
Machinist's Scribers	12.2.1
SELECTING THE PROPER MICROMETER	7.3
SHEARS AND NIPPERS SAFETY	37.3
SHEARS AND NIPPERS TYPES AND USES	37.2
Cutting Nippers	37.2.5
Hand Shears	37.2.1
Metal Shearing Machine	37.2.3
Nippers	37.2.4
Tinner's Bench Shears	37.2.2
SOLDERING INTRODUCTION	53.1
SOLDERING SAFETY PRACTICES	53.4
SOLDERING TOOLS	53.2
SPRAY PAINTING	54.4
Aerosol Can Operation	54.4.1
Aerosol Spray Can	F 54-1
Using Aerosol Paint	54.4.2
SQUARES TYPES AND USES	13.2
Bevel Protractor	13.2.5
Carpenter's Square	13.2.1
Combination Square	13.2.3
Sliding T-Bevel	13.2.4
Try Square	13.2.2
SURFACE, DEPTH, AND HEIGHT GAGES TYPES AND USES	14.2
Height Gage	14.2.5
Micrometer Depth Gage	14.2.3
Rule Depth Gage	14.2.2
Surface Gage	14.2.1
Surface Plate	14.2.6
Vernier Depth Gage	14.2.4

INDEX - CONTINUED

Subject	Paragraph, Figure, Table Number
T	
TAPS AND DIES TYPES AND USES	38.2
Boiler Hand Taps	38.2.1.4
Bottoming Hand Tap	38.2.1.2
Dies	38.2.2
Mud Hand Taps (Washout Tap)	38.2.1.6
Pipe Hand Tap	38.2.1.3
Rethreading Die	38.2.2.1
Round Split Adjustable Die	38.2.2.3
Staybolt Taps	38.2.1.5
Taper (Starting) Hand Tap	38.2.1.1
Taps	38.2.1
Thread Cutter Set	38.2.2.4
Two-Piece Collet Die	38.2.2.2
TIMBER HANDLING TOOLS TYPES AND USES	48.2
Peavy	48.2.2
Timber Carrier	48.2.1
TOOL BOXES TYPES AND USES	4.2
TOOL HABITS	2.2
Keep Each Tool in its Proper Storage Place	2.2.1
Keep Your Tool Set Complete	2.2.3
Keep Your Tools in Good Condition	2.2.2
Keep Your Tools Within Easy Reach and Where They Cannot Fall on the Floor or on Machinery	2.2.5
Never Use Damaged Tools	2.2.6
Use Each Tool Only on the Job for Which it was Designed	2.2.4
TOOL SAFETY	48.3
TUBE CUTTING AND FLARING TOOLS TYPES AND USES	36.2
Flaring Tool	36.2.2
Tube Cutters	36.2.1
U	
USING A BEARING SCRAPER	30.4
USING A BELL BASE SCREW JACK	20.4
USING A BENCH GRINDER	29.3
USING A BRACE DRILL	23.3
USING A C-CLAMP	19.3
USING A CARPENTER'S SQUARE TO MARK A SQUARE LINE	13.3
USING A CARPENTER'S SQUARE TO LAY OUT STEPS	13.4
USING A CENTER GAGE	16.4
USING A CENTER PUNCH	27.3
USING A COMBINATION SQUARE	13.7
Using a Combination Square to Determine Depth	13.7.3
Using as a Center Head to Find the Diameter of a Cylinder	13.7.1
Using as a Protractor Head to Determine an Angle	13.7.2
USING A DIE AND DIESTOCK	38.4
USING A DIVIDER TO SCRIBE A CIRCLE	5.3
USING A DRIFT PUNCH	27.4
USING A DRILL GAGE	16.12
USING A DRILL POINT GAGE	16.10
USING A FILE	28.4
Draw Filing	28.4.3
Method of Filing	28.4.2
Selecting Proper File	28.4.1

INDEX - CONTINUED

Subject	Paragraph, Figure, Table Number
USING A FILLET AND RADIUS GAGE	16.9
USING A FLARING TOOL	36.3
USING A GEAR AND BEARING PULLER	41.3
USING A HAND SCREW CLAMP	19.4
USING A HAND TAP	38.3
USING A LEVEL	10.3
Angled Surface	10.3.2
Horizontal Surface	10.3.1
Vertical Surface	10.3.3
USING A MACHINIST'S BENCH VISE	18.3
USING A MACHINIST'S COLD CHISEL	26.4
USING A MACHINIST'S SCRIBER	12.3
USING A PIPE CUTTER	35.3
USING A PIPE THREADING SET	35.4
USING A PIPE VISE	18.4
USING A PLUMB BOB	11.3
USING A PUTTY KNIFE	34.4
USING A RATCHET LEVER JACK	20.5
USING A RING GAGE	15.3
USING A RIVET BUSTER CHISEL	26.5
USING A SCRATCH AWL	31.3
USING A SCREW PITCH GAGE	16.5
USING A SHARPENING STONE	29.4
USING A SLIDE HAMMER PULLER SET	41.4
USING A SLIDING T-BEVEL SQUARE	13.6
USING A SMALL HOLE GAGE	16.6
USING A SOCKET WRENCH	25.5
USING A SOLID STRAIGHT-HOLE REAMER	39.3
USING A SPANNER WRENCH	25.10
USING A SPIRAL TAPERED SCREW EXTRACTOR	24.3
USING A TELESCOPING GAGE	16.7
USING A THICKNESS GAGE	16.3
USING A THREAD CUTTING TOOL GAGE	16.8
USING A TRY SQUARE	13.5
USING A TUBING BENDER	40.3
USING A WHEEL-TYPE GLASS CUTTER	33.3
USING A WIRE GAGE	16.11
USING A WOODWORKER'S CHISEL	26.3
USING AN ADJUSTABLE OPEN-END WRENCH	25.6
USING AN ADJUSTABLE SNAP GAGE	15.4
USING AN ADJUSTABLE STRAP PIPE WRENCH	25.7
USING AN ALIGNMENT PUNCH	27.5
USING AN ELECTRICAL CONDUIT HAND BENDER	40.4
USING AN EXPANSIVE BIT	23.4
USING CENTER CUT CUTTERS	32.4
USING CLIMBING TOOLS	49.4
USING CUTTING NIPPERS	37.4
Flush Cutting	37.4.2
Wire Cutting	37.4.1
USING DIAGONAL CUTTING PLIERS	17.4
USING HAMMERS	21.4
Using a Carpenter's Hammer	21.4.1
Using a Mechinist's Ball Peen Hammer	21.4.2

INDEX - CONTINUED

Subject	Paragraph, Figure, Table Number
USING LINEMAN'S SIDE CUTTING PLIERS	17.5
USING MARKING GAGES	16.13
USING MISCELLANEOUS MEASURING TOOLS	9.3
USING RULERS AND TAPES EXAMPLES	8.3
USING SCREWDRIVERS	22.4
Preparing the Work Surface	22.4.1
Using a Jeweler's Screwdriver	22.4.6
Using a Screwdriver	22.4.2
Using a Spiral Ratchet Screwdriver	22.4.5
Using an Offset Ratchet Screwdriver	22.4.4
Using an Offset Screwdriver	22.4.3
USING SLIP-JOINT PLIERS	17.3
USING THE ADZ	45.5
USING THE BENCH PLANE	50.5
USING THE BLOCK	55.5
USING THE BLOCK PLANE	50.4
USING THE BRICK TROWEL	55.4
USING THE BRUSH HOOK	47.4
USING THE CABLE JAW GRIP AND TENSION PULLER	55.6
USING THE COMBINATION BAR	42.4
USING THE CROSSCUT SAW	46.4
USING THE ELECTRIC CHAIN SAW	52.9
USING THE GASKET CUTTER	44.3
Using a Bit Brace Circle Gasket Cutter	44.3.2
Using a Circle Gasket Cutter	44.3.1
Using a Hollow Gasket Cutter	44.3.3
USING THE HACKSAW	46.6
USING THE KEYHOLE SAW	46.5
USING THE LONG-HANDLED SHOVEL	51.4
USING THE MATTOCK	43.4
USING THE PORTABLE ELECTRIC CIRCULAR SAW	52.8
USING THE PORTABLE ELECTRIC DRILL	52.4
USING THE PORTABLE ELECTRIC HAMMER	52.6
USING THE PORTABLE ELECTRIC IMPACT WRENCH	52.7
USING THE POSTHOLE DIGGER	51.6
USING THE POWER TORQUE WRENCH	25.9
USING THE SINGLE-BIT AX	45.4
USING THE SPADE	51.5
USING THE SURFACE, DEPTH, AND HEIGHT GAGES	14.3
Using a Height Gage	14.3.5
Using a Micrometer Depth Gage	14.3.3
Using a Rule Depth Gage	14.3.2
Using a Surface Gage	14.3.1
Using a Vernier Depth Gage	14.3.4
USING THE TIMBER WEDGE	45.6
USING THE TORQUE WRENCH	25.8
USING TIMBER HANDLING TOOLS	48.4
Using A Peavy	48.4.2
Using a Timber Carrier	48.4.1
V	
VICES TYPES AND USES	18.2
Bench and Pipe Vice	18.2.2

INDEX - CONTINUED

Subject	Paragraph, Figure, Table Number
Clamp Base Bench Vise	18.2.3
Handsaw Filing Vise	18.2.8
Machine Table Vise	18.2.5
Machinist's Bench Vise	18.2.1
Pin Vise	18.2.6
Pipe Vise	18.2.4
Piston Holding Vise	18.2.7

W

WRENCH SAFETY	25.3
WRENCHES TYPES AND USES	25.2
Adjustable Open-End Wrench	25.2.10
Box Wrenches	25.2.2
Clamp Pliers	25.2.11
Combination Wrenches	25.2.3
Crowfoot Wrench	25.2.7
Hexagon Key Wrench (Shorter Section)	25.2.8
Monkey and Auto Wrenches	25.2.12
Open-End Wrenches	25.2.1
Pipe Wrenches	25.2.13
Plug Wrenches	25.2.9
Power Torque Wrench	25.2.15
Socket Wrench Handles, Extensions and Adapters	25.2.5
Socket Wrenches	25.2.4
Spanner Wrenches	25.2.16
Special Purpose Socket Wrenches	25.2.6
Torque Wrenches	25.2.14